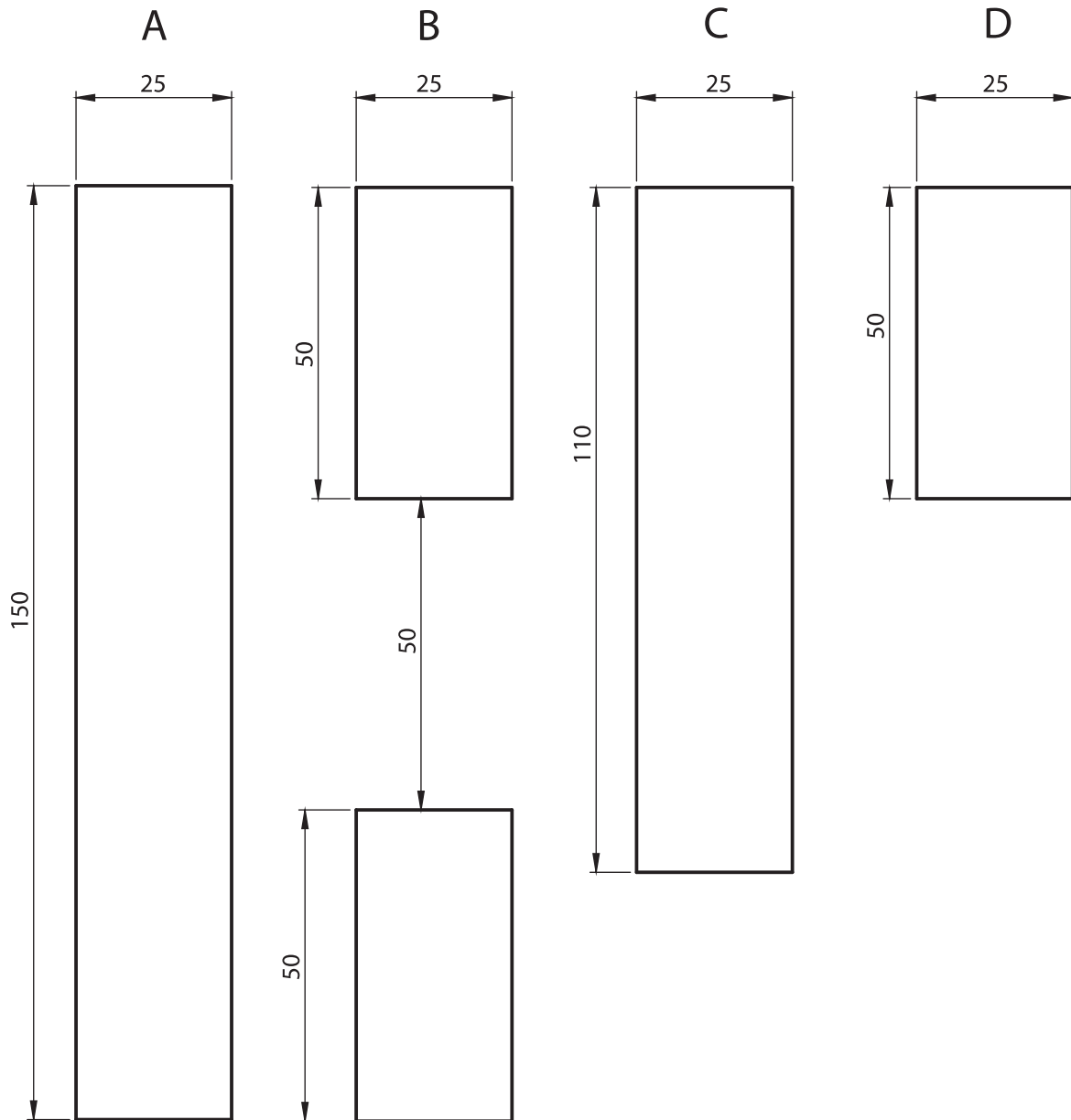








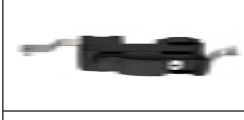


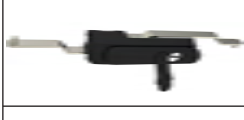



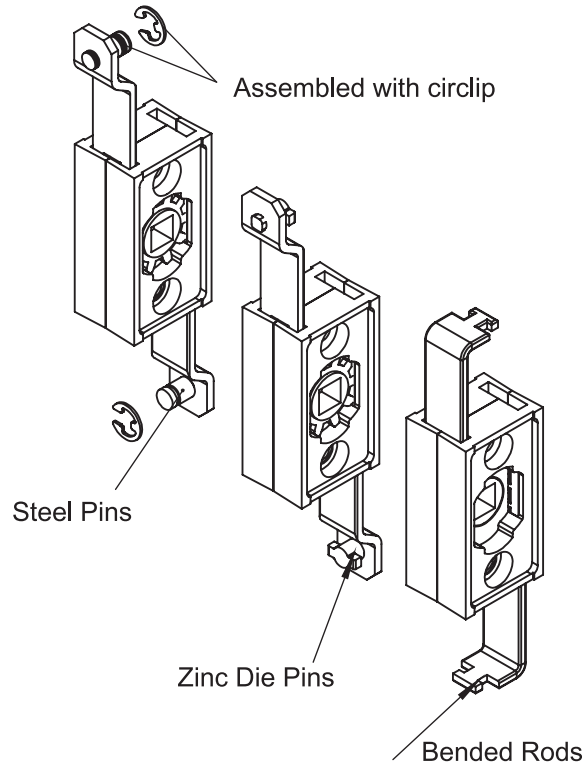
Cutouts

Rod Latch Systems



Rod Latch Systems Overview

Item Number	2751	2752	2740	2730	2210	2105	2301	2303	2201	2213	2202	2203	2208
													
Dish Material	Zinc Die	Zinc Die	Zinc Die	PA	PA	Zinc Die	Zinc Die	Zinc Die	PA	PA	PA	PA	PA
Handle Material	Zinc Die	Zinc Die	Zinc Die	PA	PA	Zinc Die	PA	PA	PA	PA	PA	PA	PA
Cutout	Special	Special	Special	Special	A/B	A/B	C	A/B	A/B	A/B	A/B	A/B	A/B
Applicable for narrow widths	+	+	+	+	-	-	-	-	-	-	-	-	-
Options													
Used with Inserts	-	-	+	-	-	+	+	-	+	-	-	+	+
Used with Inserts	-	-	+	-	-	+	-	+	-	-	+	-	-
Used with Cylinder	+	-	-	+	-	-	-	+	-	+	+	-	-
Dustcover	-	-	+	+	-	-	-	+	+	+	+	+	-
Padlock Device	-	-	-	-	-	+	+	-	-	-	+	+	-
Page	106	108	110	112	114	116	120	122	124	126	128	130	132

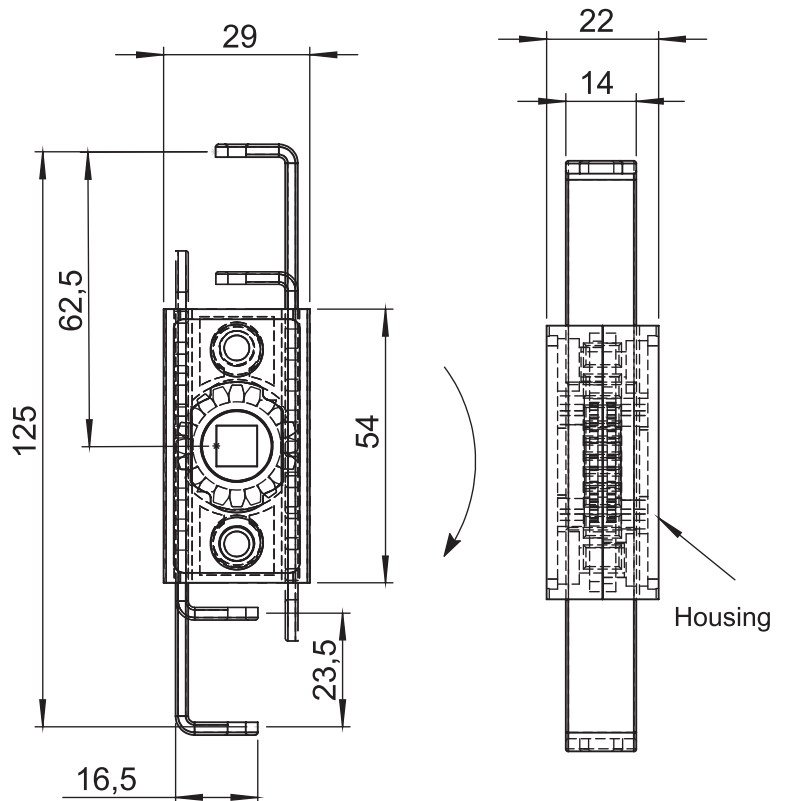


Material

Housing : Poliamide (PA6 GFR30),
black or Zinc Die

Rods : Steel, zinc plated

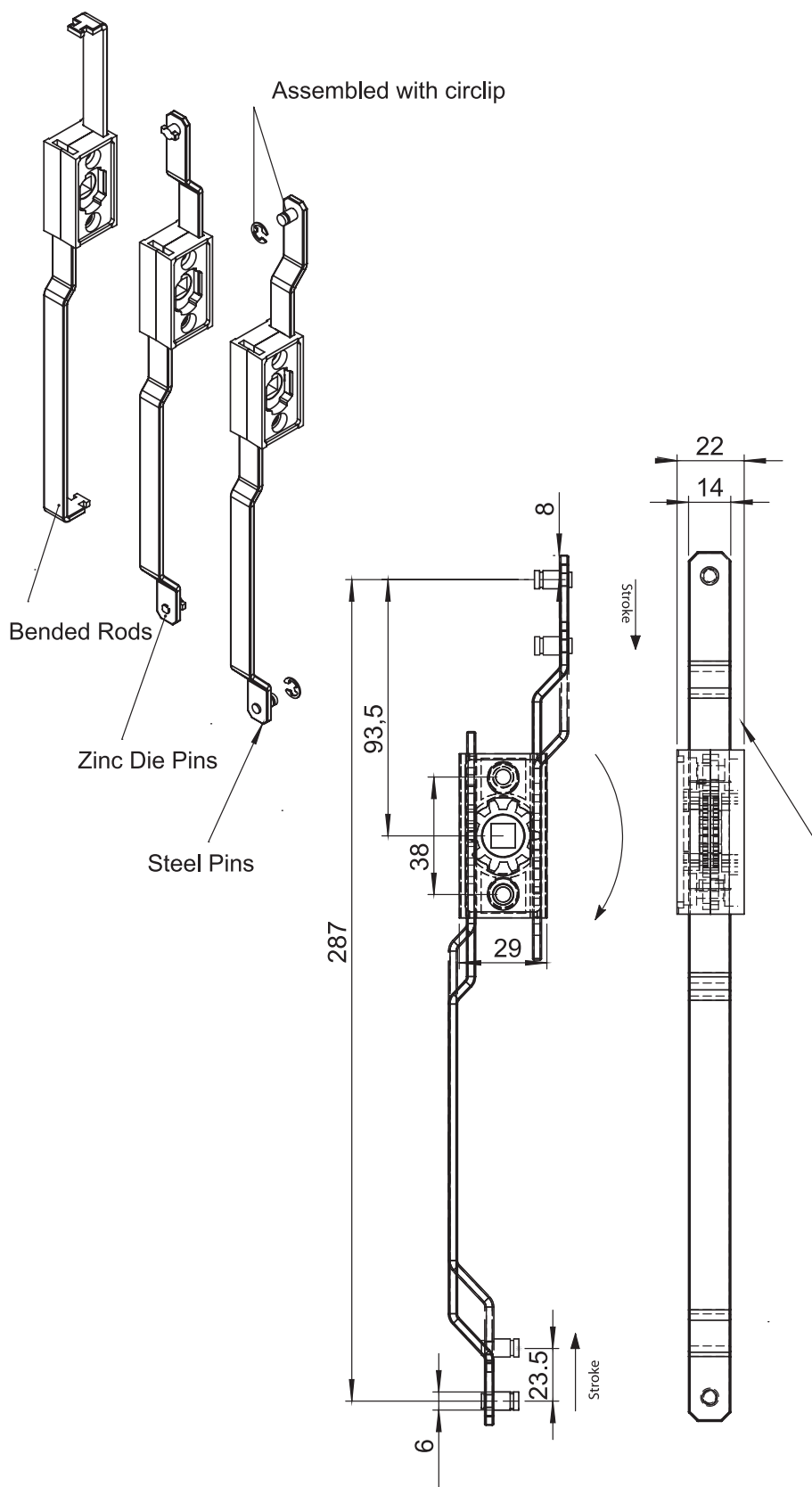
Pins : Steel, zinc plated or zinc die



8601 - Rod Latch 125 mm

	Plastic Housing		Zinc Die Housing	
	MK	Item Number	MK	Item Number
Bended Rods	646	8646 - 000	636	8636 - 000
Steel Pins	644	8644 - 000	634	8634 - 000
Zinc Die Pins	645	8645 - 000	635	8635 - 000

LH/RH RoHS



Material

Housing : Poliamide (PA6 GFR30),
black or Zinc Die

Rods : Steel, zinc plated

Pins : Steel, zinc plated or zinc die

8201 - Rod Latch 287mm

	Plastic Housing		Zinc Die Housing	
	MK	Item Number	MK	Item Number
Bended Rods	246	8246 - 000	236	8236 - 000
Steel Pins	244	8244 - 000	234	8234 - 000
Zinc Die Pins	245	8245 - 000	235	8235 - 000

LH/RH

RoHS

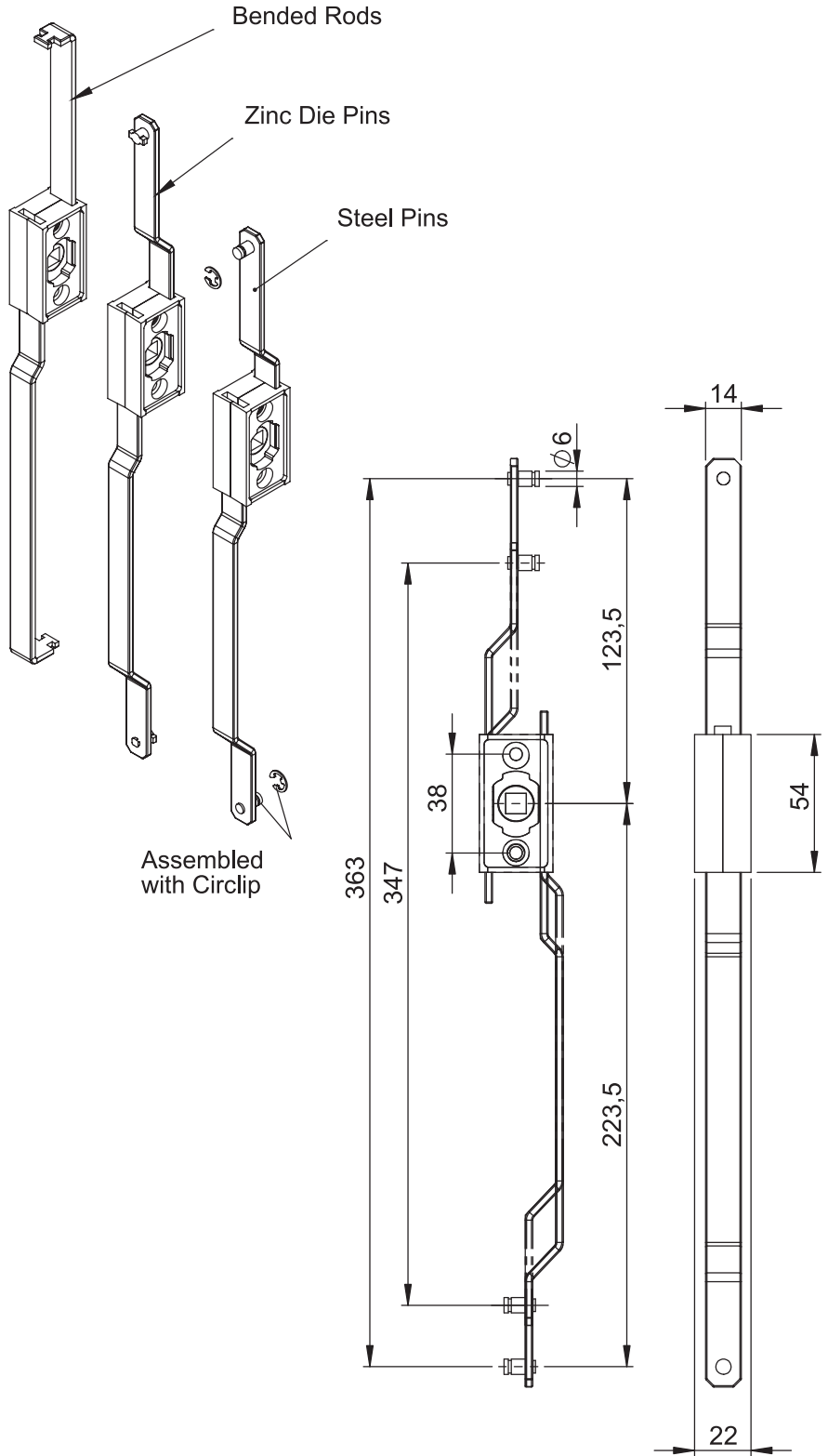


Material

Housing : Poliamide (PA6 GFR30),
black or Zinc Die

Rods : Steel, zinc plated

Pins : Steel, zinc plated or zinc die

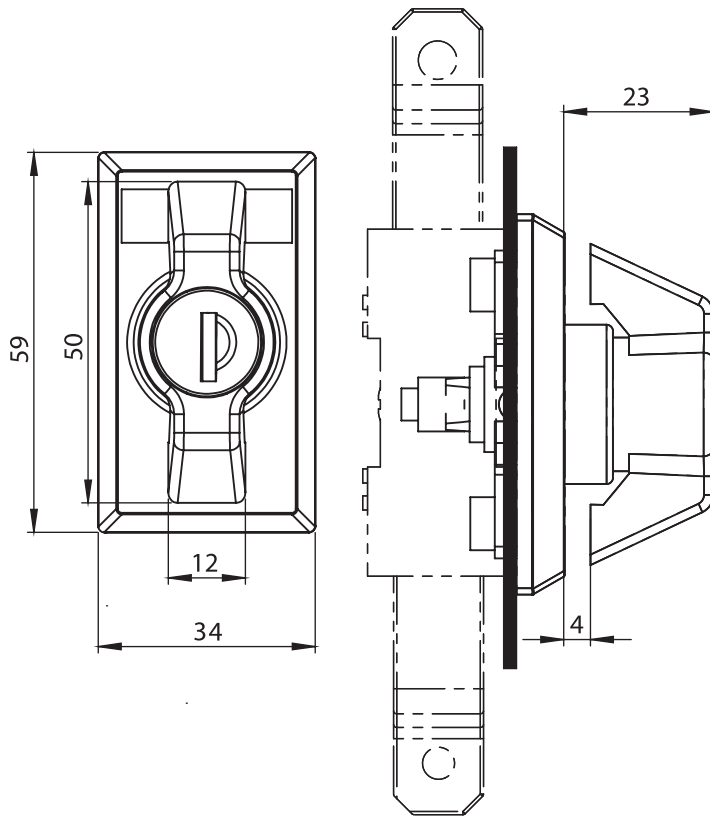


8101 - Rod Latch 347 mm

	Plastic Housing		Zinc Die Housing	
	MK	Item Number	MK	Item Number
Bended Rods	146	8146 - 000	136	8136 - 000
Steel Pins	144	8144 - 000	134	8134 - 000
Zinc Die Pins	145	8145 - 000	135	8135 - 000

LH/RH

RoHS



Rod Latch Systems

Material:

Wing Knob : Zinc Die, black coated or chrome plated

Dish : Poliamide (PA6 GFR30), black

Options

Rod Latch : Page 96

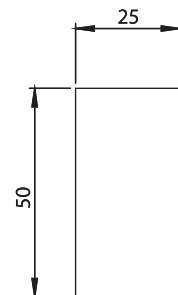
Cam Adapter : Page 135

Cams : Page 84-85

Flat Rods : Page 86-89

Flat Rod Guides : Page 87-91

Cutout

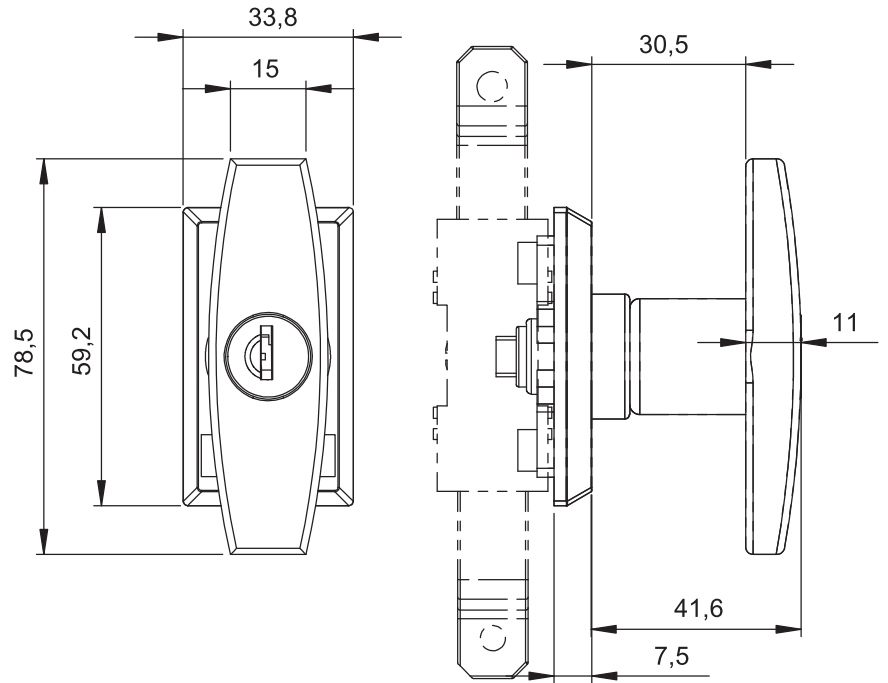


1015 - Escutcheon with Wing Knob

	Chrome Plated	Black Coated
Non-Locking	1015 - 211 - MK - xxx	1015 - 111 - MK - xxx
Keyed 3333	1015 - 213 - MK - xxx	1015 - 113 - MK - xxx

You may chose XXX section from cam tables
 You may chose MK section from Rod Latch Pages 96-98





Material:

Wing Knob : Zinc Die, black coated or chrome plated

Dish : Poliamide (PA6 GFR30), black

Options

Rod Latch : Page 96

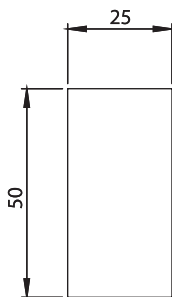
Cam Adapter : Page 135

Cams : Page 84-85

Flat Rods : Page 86-89

Flat Rod Guides : Page 87-91

Cutout

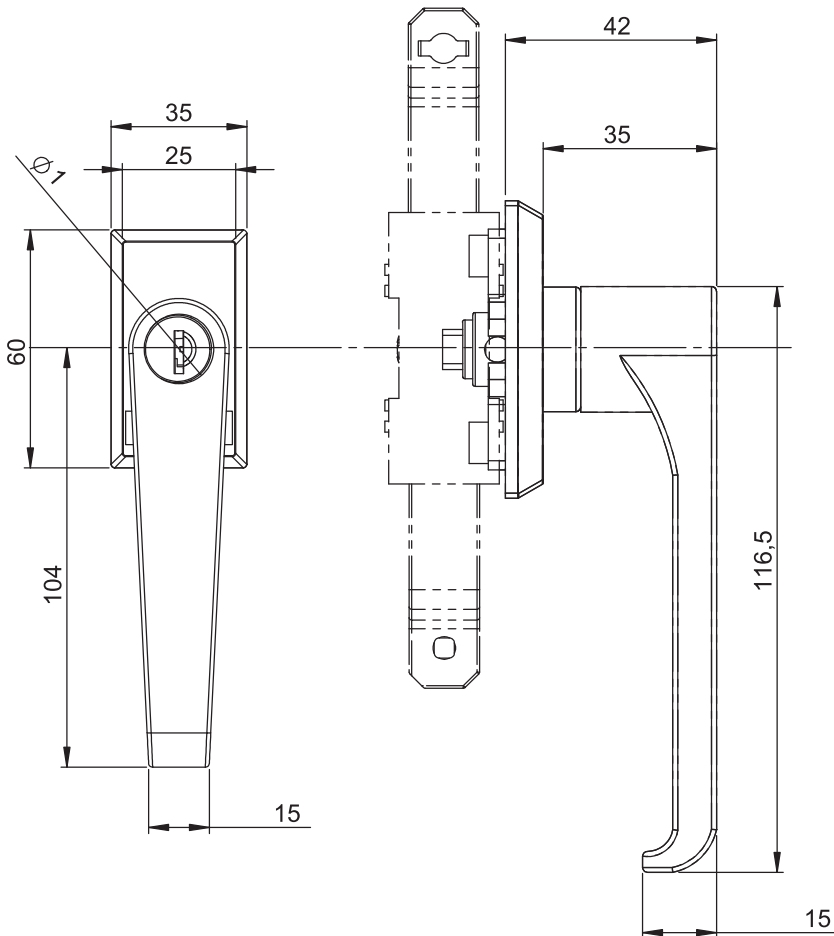


1201 - Escutchion with T Handle

	Black Coated	Chrome Plated
Non-Locking	1201 - 110 - MK - xxx	1201 - 210 - MK - xxx
Keyed 3333	1201 - 113 - MK - xxx	1201 - 213 - MK - xxx

You may chose XXX section from cam tables
 You may chose MK section from Rod Latch Pages 96-98





1205 - Escutchion with L Handle

	Black Coated	Chrome Plated
Non-Locking	1205 - 110 - MK - xxx	1205 - 210 - MK - xxx
Keyed 3333	1205 - 113 - MK - xxx	1205 - 213 - MK - xxx

You may chose XXX section from cam tables
 You may chose MK section from Rod Latch Pages 96-98



Rod Latch Systems

Material:

L Handle : Zinc Die, black coated or chrome plated

Dish : Poliamide (PA6 GFR30), black

Options

Rod Latch : Page 96

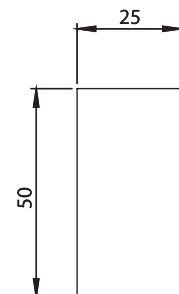
Cam Adapter : Page 135

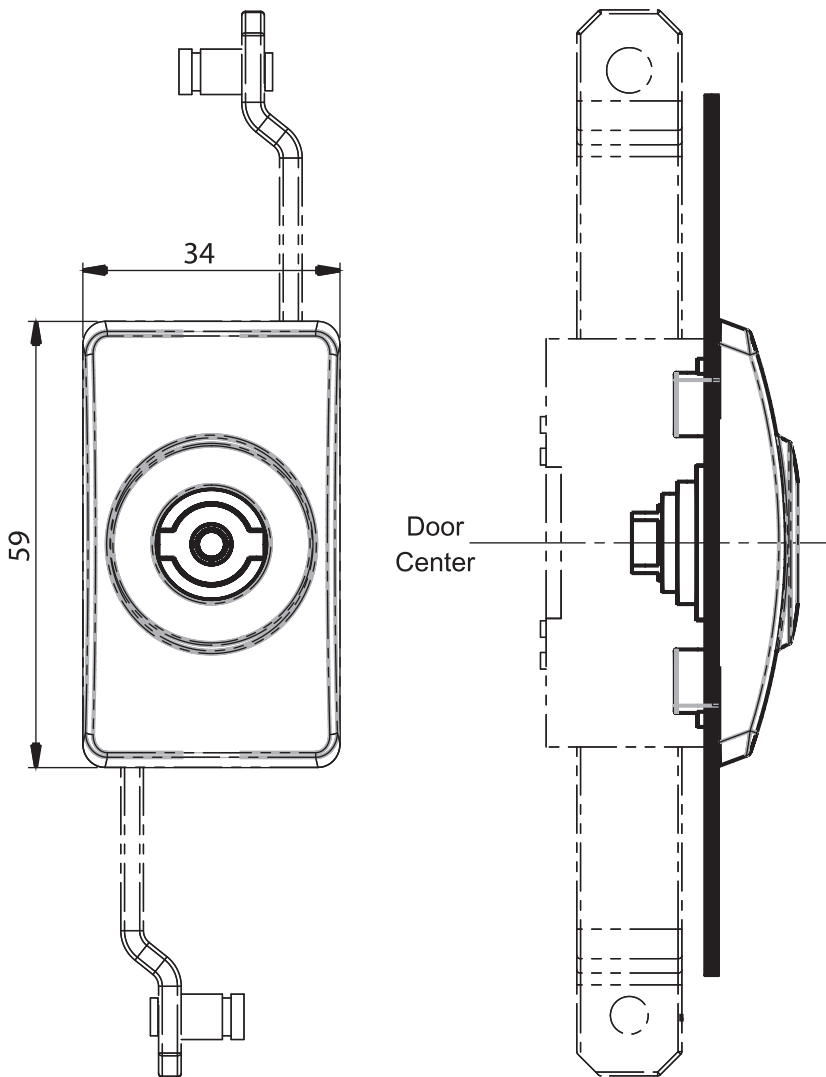
Cams : Page 84-85

Flat Rods : Page 86-89

Flat Rod Guides : Page 87-91

Cutout





Material

Dish : Poliamide (PA6 GFR30), black

Insert : Zinc Die, chrome plated

Options

Rod Latch : Page 96

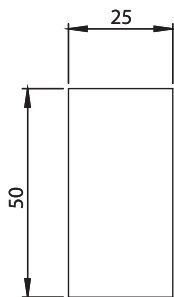
Cam Adapter : Page 135

Cams : Page 84-85

Flat Rods : Page 86-89

Flat Rod Guides : Page 87-91

Cutout

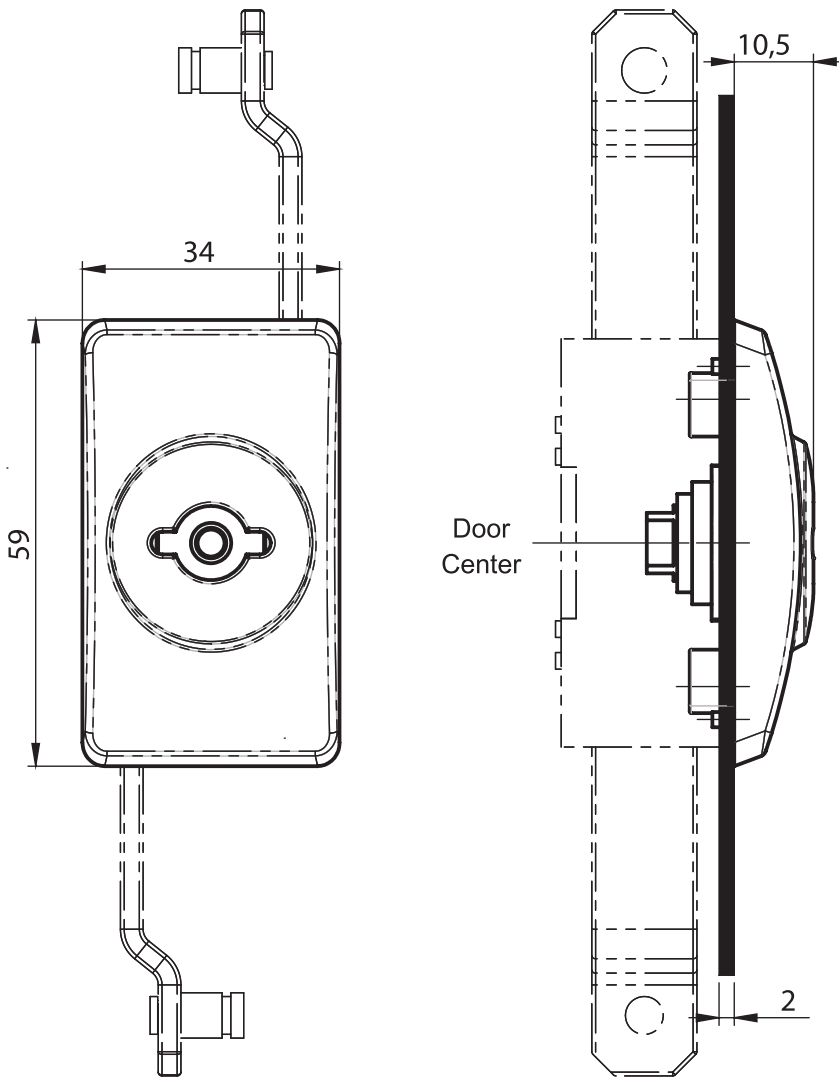


2810 - Escutchion

	Insert Type	Item Number
	Double bit 3 mm	2810 - 021- MK - xxx
	Double bit 5 mm	2810 - 022 - MK - xxx
	Triangular 7 mm	2810 - 027 - MK - xxx
	Triangular 8 mm	2810 - 023 - MK - xxx
	Triangular 9 mm	2810 - 029 - MK - xxx
	Square 7 mm	2810 - 024 - MK - xxx
	Square 8 mm	2810 - 025 - MK - xxx
	Slotted	2810 - 028 - MK - xxx

You may chose XXX section from cam tables
 You may chose MK section from Rod Latch Pages 96-98





Rod Latch Systems

Material

Dish : Poliamide (PA6 GFR30), black
Insert : Zinc Die, chrome plated

Options

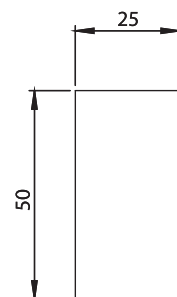
Rod Latch : Page 96
Cam Adapter : Page 135
Cams : Page 84-85
Flat Rods : Page 86-89
Flat Rod Guides : Page 87-91

2820 - Escutchion

	Insert Type	Item Number
	Double bit 3 mm	2820 - 021 - MK - xxx
	Double bit 5 mm	2820 - 022 - MK - xxx
	Triangular 7 mm	2820 - 027 - MK - xxx
	Triangular 8 mm	2820 - 023 - MK - xxx
	Triangular 9 mm	2820 - 029 - MK - xxx
	Square 7 mm	2820 - 024 - MK - xxx
	Square 8 mm	2820 - 025 - MK - xxx
	Slotted	2820 - 028 - MK - xxx

You may chose XXX section from cam tables
 You may chose MK section from Rod Latch Pages 96-98

Cutout



LH/RH

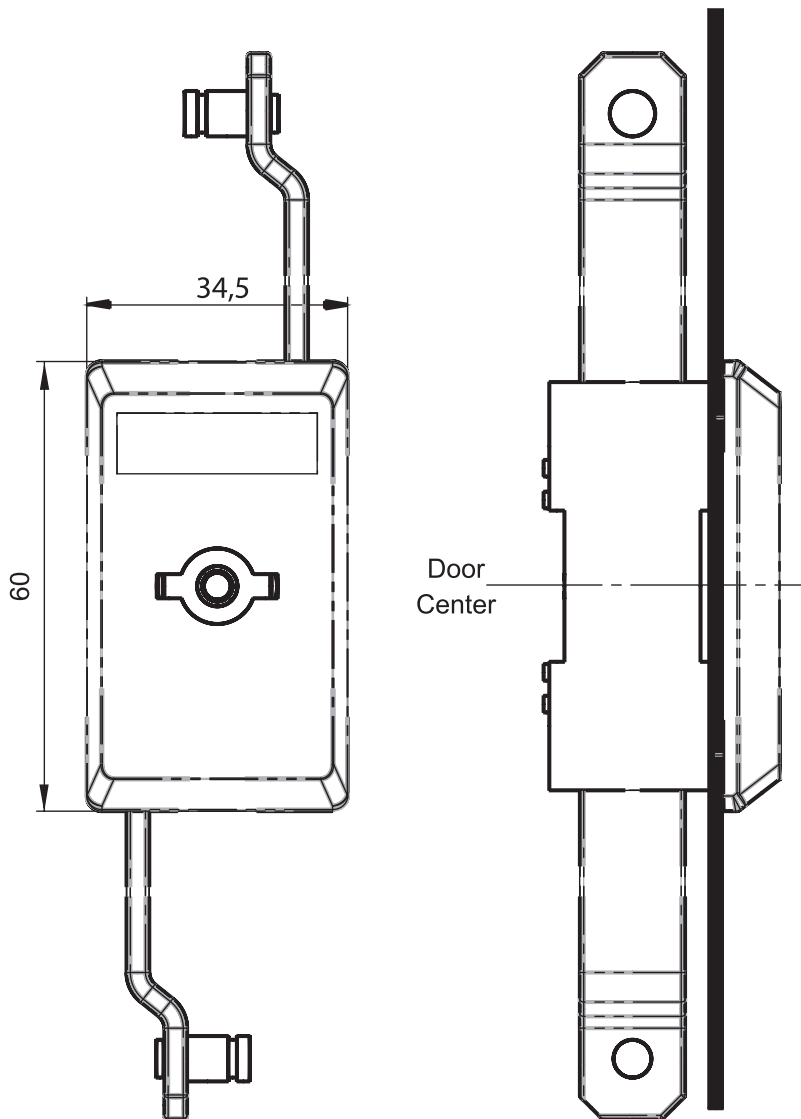
RoHS



IP 40

IP 65





Material

Dish : Poliamide (PA6 GFR30), black

Insert : Zinc Die, chrome plated

Options

Rod Latch : Page 96

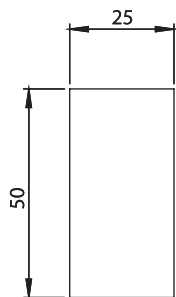
Cam Adapter : Page 135

Cams : Page 84-85

Flat Rods : Page 86-89

Flat Rod Guides : Page 87-91

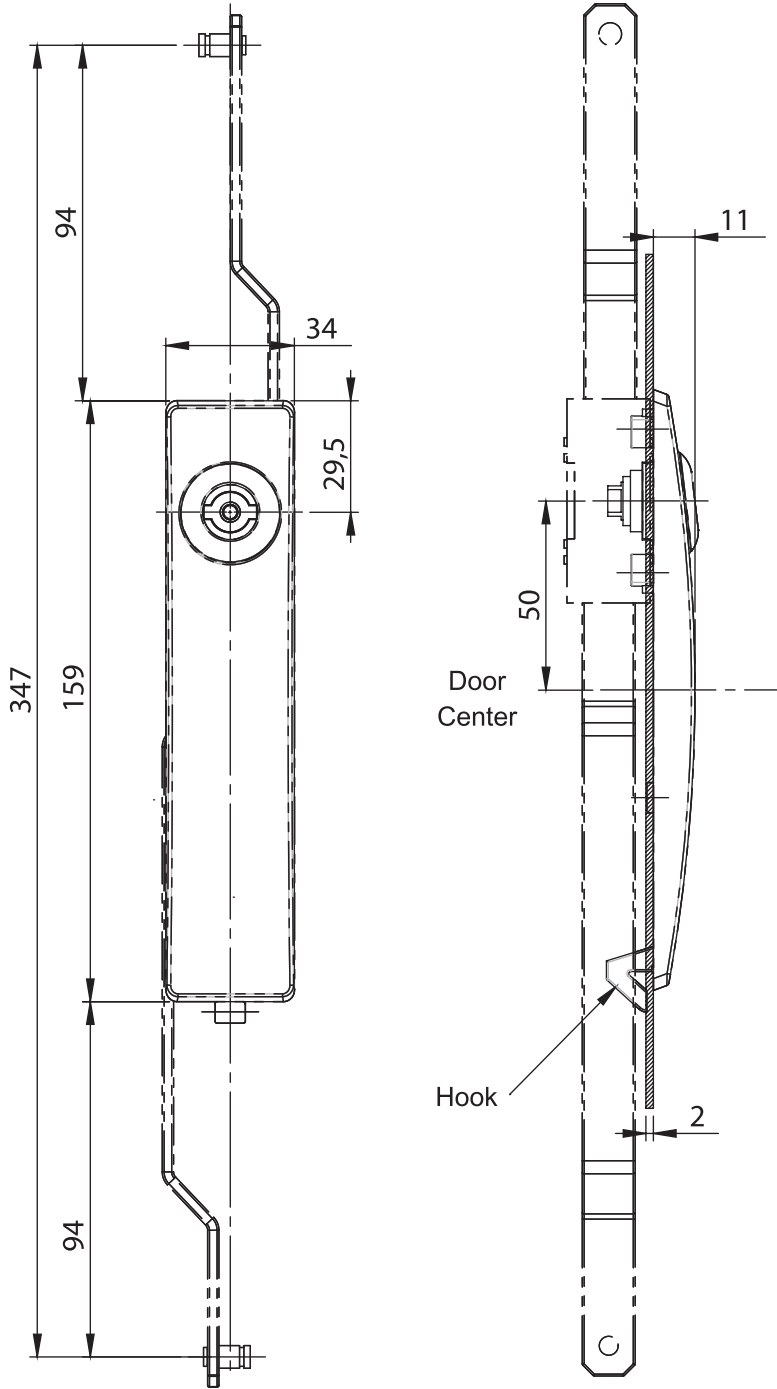
Cutout



2830 - Escutchion

	Insert Type	Item Number
	Double bit 3 mm	2830 - 021 - MK - xxx
	Double bit 5 mm	2830 - 022 - MK - xxx
	Triangular 7 mm	2830 - 027 - MK - xxx
	Triangular 8 mm	2830 - 023 - MK - xxx
	Triangular 9 mm	2830 - 029 - MK - xxx
	Square 7 mm	2830 - 024 - MK - xxx
	Square 8 mm	2830 - 025 - MK - xxx
	Slotted	2830 - 028 - MK - xxx

You may chose XXX section from cam tables
 You may chose MK section from Rod Latch Pages 96-98



2840 - Escutchion

Insert Type	Item Number
	2840 - 021 - MK - xxx
	2840 - 022 - MK - xxx
	2840 - 027 - MK - xxx
	2840 - 023 - MK - xxx
	2840 - 029 - MK - xxx
	2840 - 024 - MK - xxx
	2840 - 025 - MK - xxx
	2840 - 028 - MK - xxx

You may chose XXX section from cam tables
 You may chose MK section from Rod Latch Pages 96-98



Rod Latch Systems

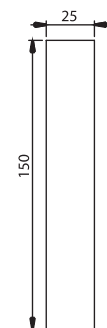
Material

Dish : Poliamide (PA6 GFR30), black
Insert : Zinc Die, chrome plated

Options

- Rod Latch** : Page 96
- Cam Adapter** : Page 135
- Cams** : Page 84-85
- Flat Rods** : Page 86-89
- Flat Rod Guides** : Page 87-91

Cutout



LH/RH

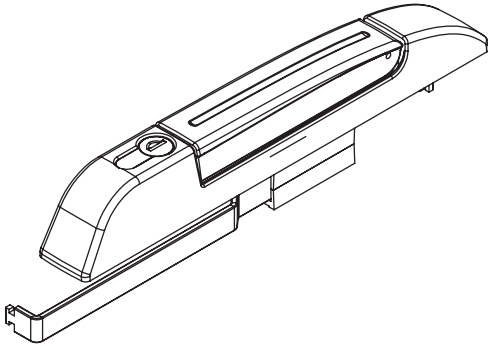
RoHS



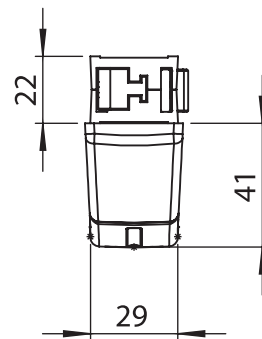
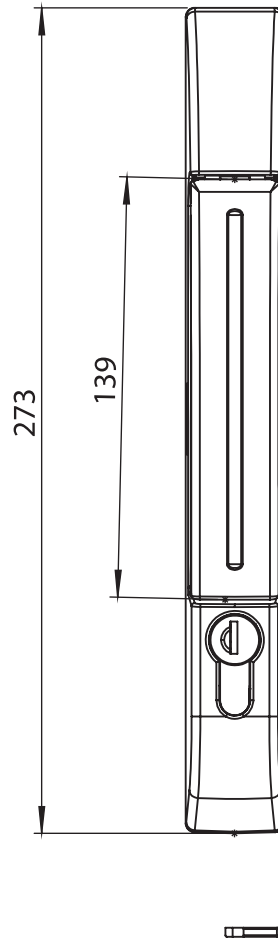
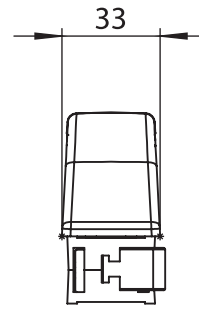
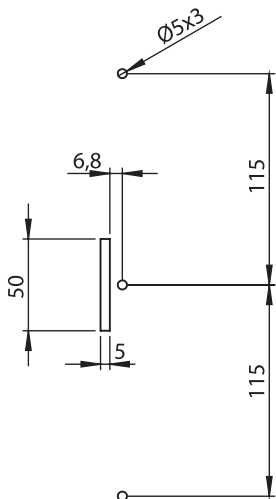
IP 40

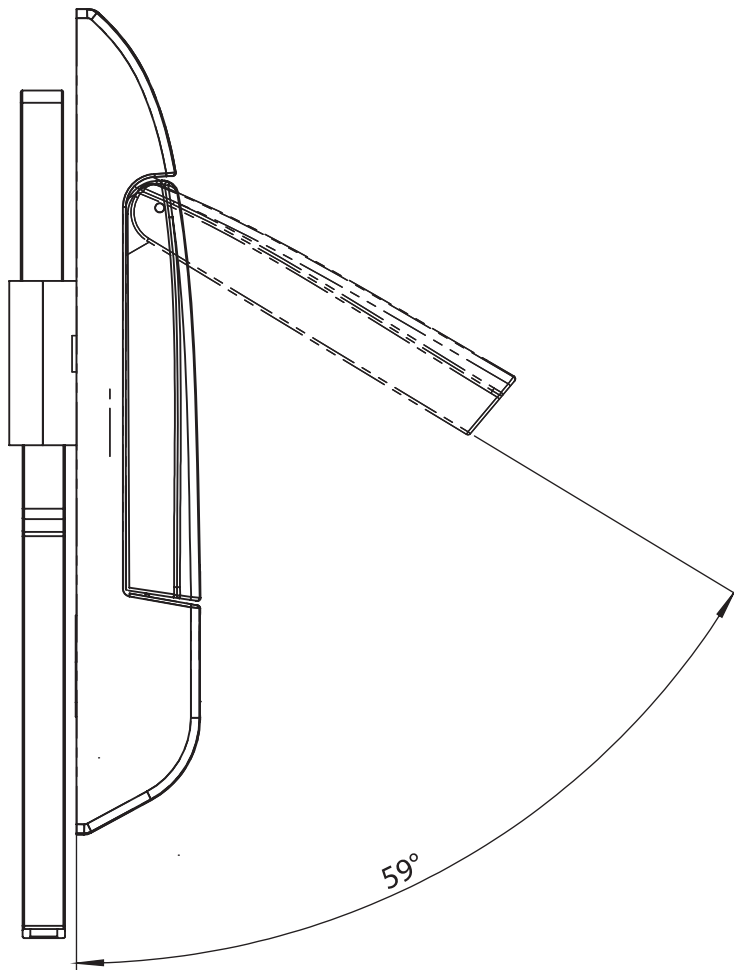
IP 65





Cutout












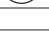
Material


Dish : Poliamide (PA6 GFR30), black
Handle : Zinc Die, black coated

Options

Rod Latch : Page 96
Cam Adapter : Page 135
Cams : Page 84-85
Flat Rods : Page 86-89
Flat Rod Guides : Page 87-91

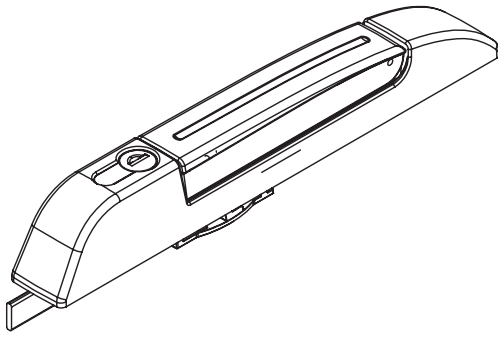
2751 - Swinghandle for Small Widths

Insert Type		
	Double bit 3 mm	2751 - 031 - MK - xxx
	Double bit 5 mm	2751 - 031 - MK - xxx
	Triangular 7 mm	2751 - 031 - MK - xxx
	Triangular 8 mm	2751 - 031 - MK - xxx
	Triangular 9 mm	2751 - 031 - MK - xxx
	Square 7 mm	2751 - 031 - MK - xxx
	Square 8 mm	2751 - 031 - MK - xxx
	Slotted	2751 - 031 - MK - xxx

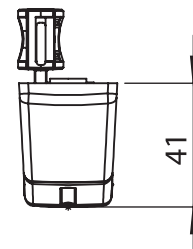
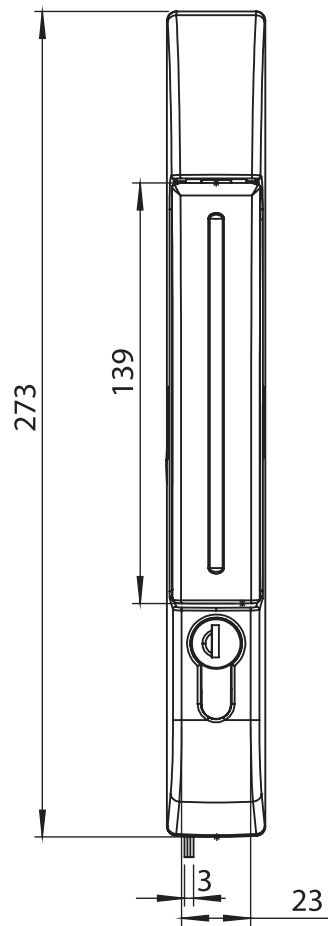
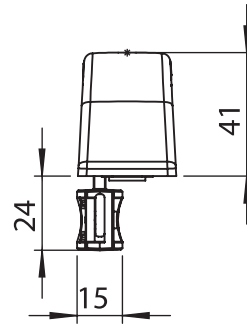
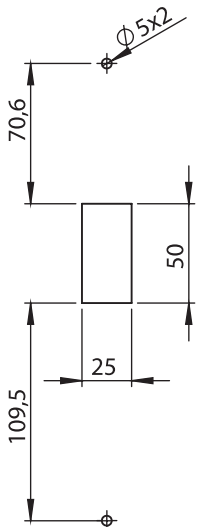
	Keyed 3333	2751 - 013 - MK - xxx
	Keyed Same	2751 - 017 - MK - xxx
	Keyed Differ	2751 - 019 - MK - xxx
	Keyed Differ with Master System	2751 - 018 - MK - xxx

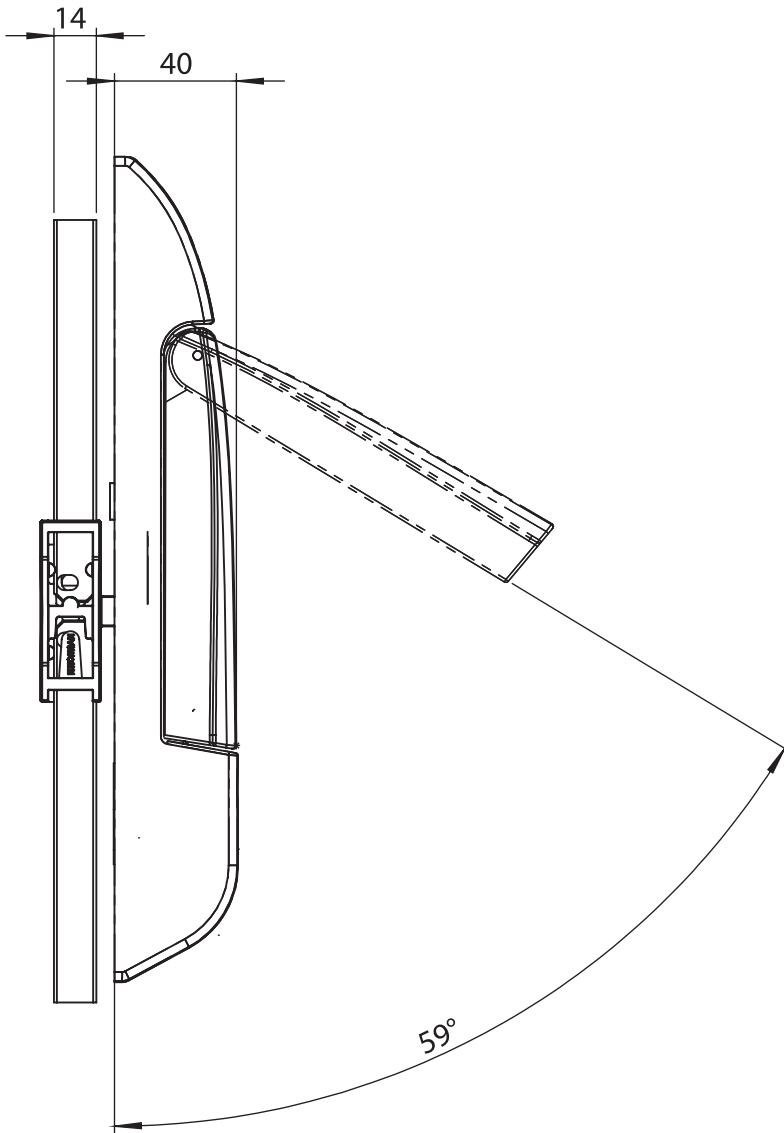
You may chose XXX section from cam tables
 You may chose MK section from Rod Latch Pages 96-98










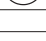



Cutout





2752 - Swinghandle for Small Widths

Profile Cylinder Type	Item Number
	Double bit 3 mm 2752 - 031
	Double bit 5 mm 2752 - 032
	Triangular 7 mm 2752 - 037
	Triangular 8 mm 2752 - 033
	Triangular 9 mm 2752 - 039
	Square 7 mm 2752 - 034
	Square 8 mm 2752 - 035
	Slotted 2752 - 038

	Keyed 3333	2752 - 013
	Keyed Same	2752 - 017
	Keyed Differ	2752 - 019
	Keyed Differ with Master System	2752 - 018

You may chose XXX section from cam tables
 You may chose MK section from Rod Latch Pages 96-98



Rod Latch Systems

Material

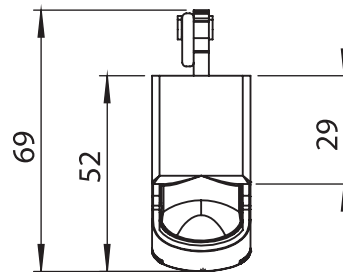
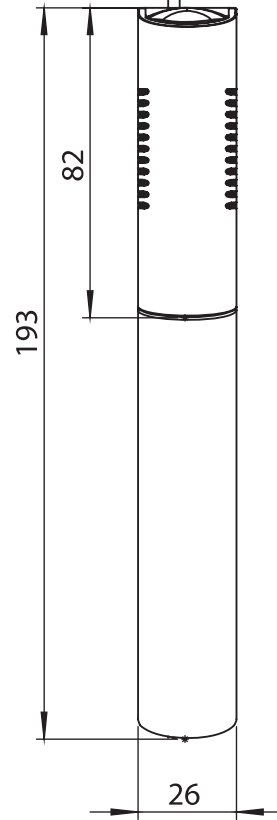
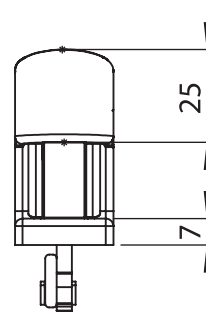
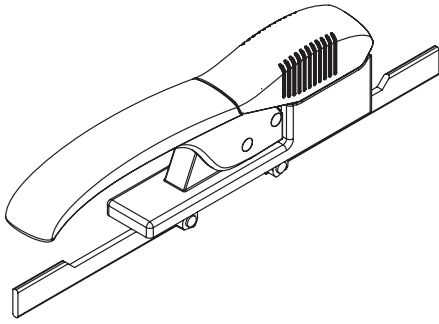
Dish : Poliamide (PA6 GFR30), black
Handle : Zinc Die, black coated

Options

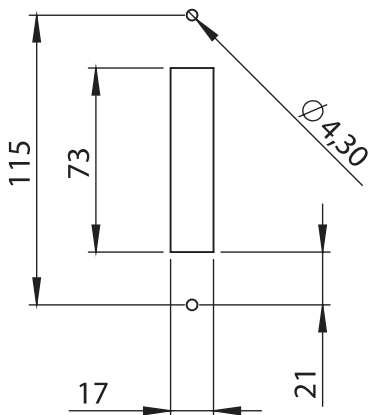
Rods : The rods are designed according to the customer needs. Please contact with Elkomsan.

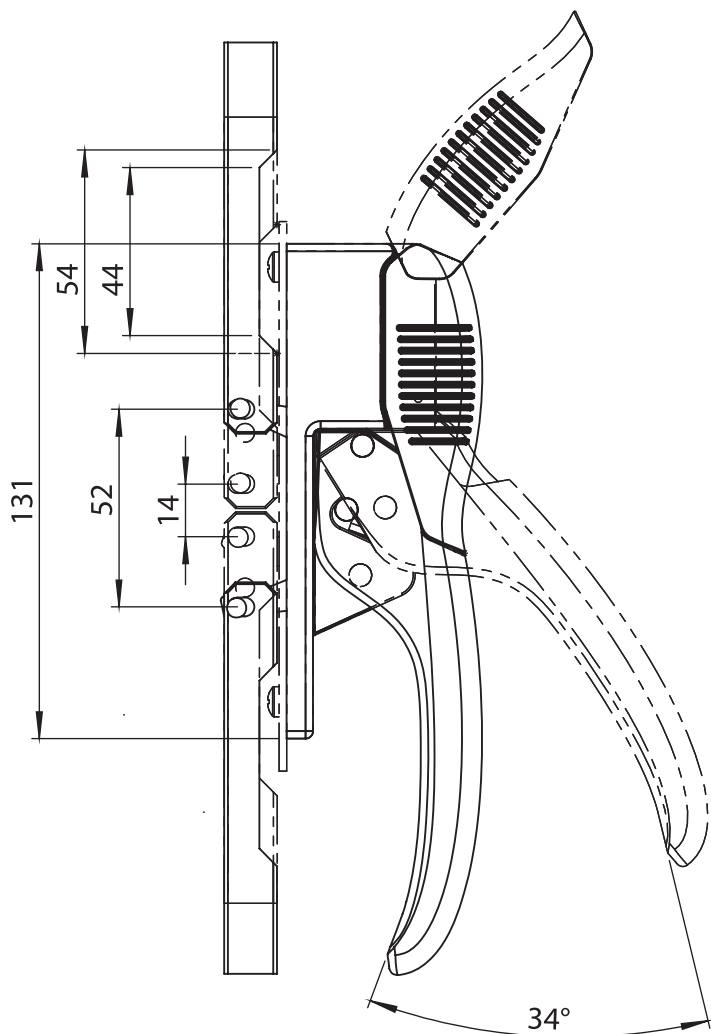
Rod Catchers : Page 87-91





Cutout





2740 - Swinghandle

	Insert Type	Item Number
	Double bit 3 mm	2740 - 041
	Double bit 5 mm	2740 - 042
	Triangular 7 mm	2740 - 047
	Triangular 8 mm	2740 - 043
	Triangular 9 mm	2740 - 049
	Square 7 mm	2740 - 044
	Square 8 mm	2740 - 045
	Slotted	2740 - 048

	Keyed 3333	2740 - 023
	Keyed Same	2740 - 027
	Keyed Differ	2740 - 029
	Keyed Differ with Master System	2740 - 028



Rod Latch Systems

Material:

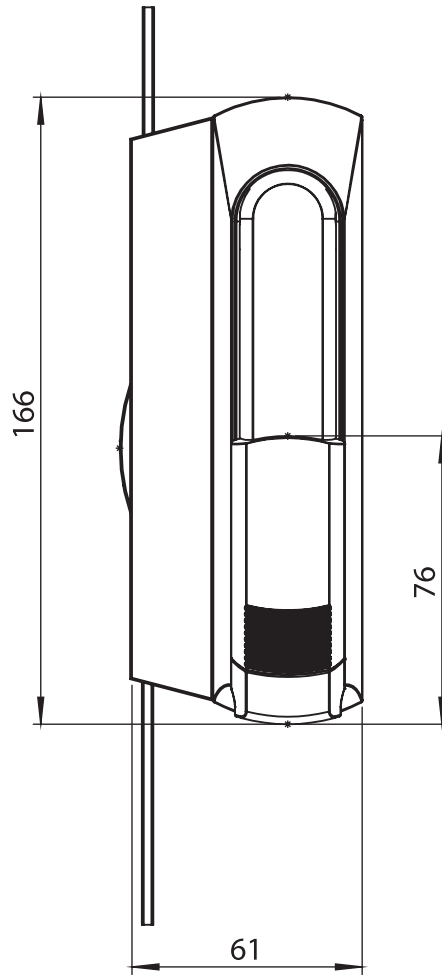
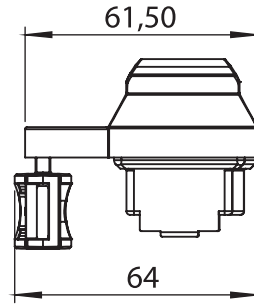
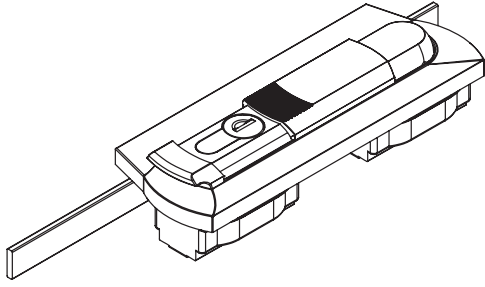
Dish : Poliamide (PA6 GFR30), black
Handle : Zinc Die, black coated
Dust Cover : PC, transparent antrasit

Options

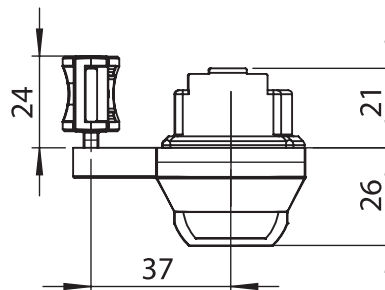
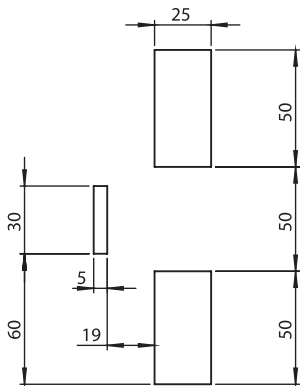
Rods : The rods are designed according to the customer needs. Please contact with Elkomsan.

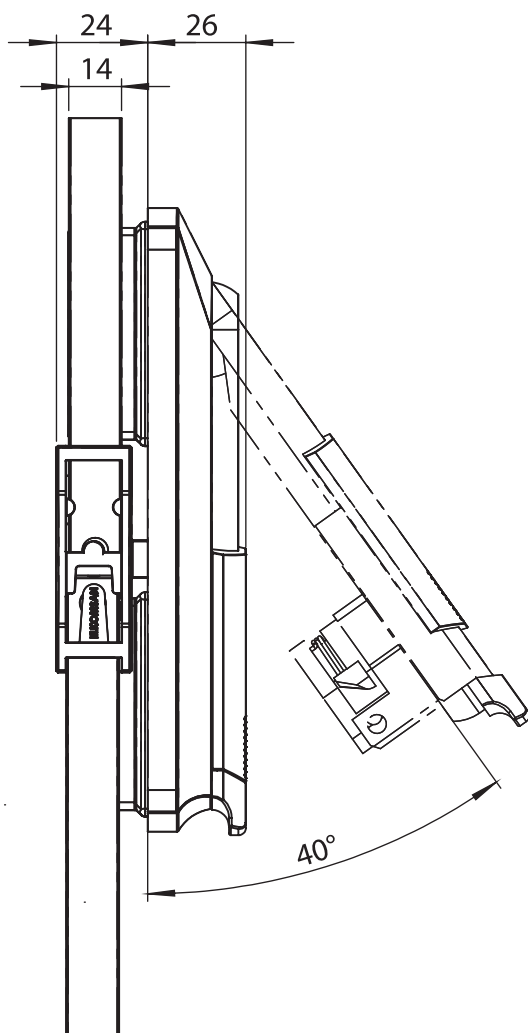
Rod Catchers : Page 87-91





Cutout





2730 - Swinghandle

	Insert Type	Item Number
	Double bit 3 mm	2730 - 031
	Double bit 5 mm	2730 - 032
	Triangular 7 mm	2730 - 037
	Triangular 8 mm	2730 - 033
	Triangular 9 mm	2730 - 039
	Square 7 mm	2730 - 034
	Square 8 mm	2730 - 035
	Slotted	2730 - 038

	Keyed 3333	2730 - 013
	Keyed Same	2730 - 017
	Keyed Differ	2730 - 019
	Keyed Differ with Master System	2730 - 018



Rod Latch Systems

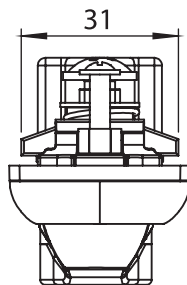
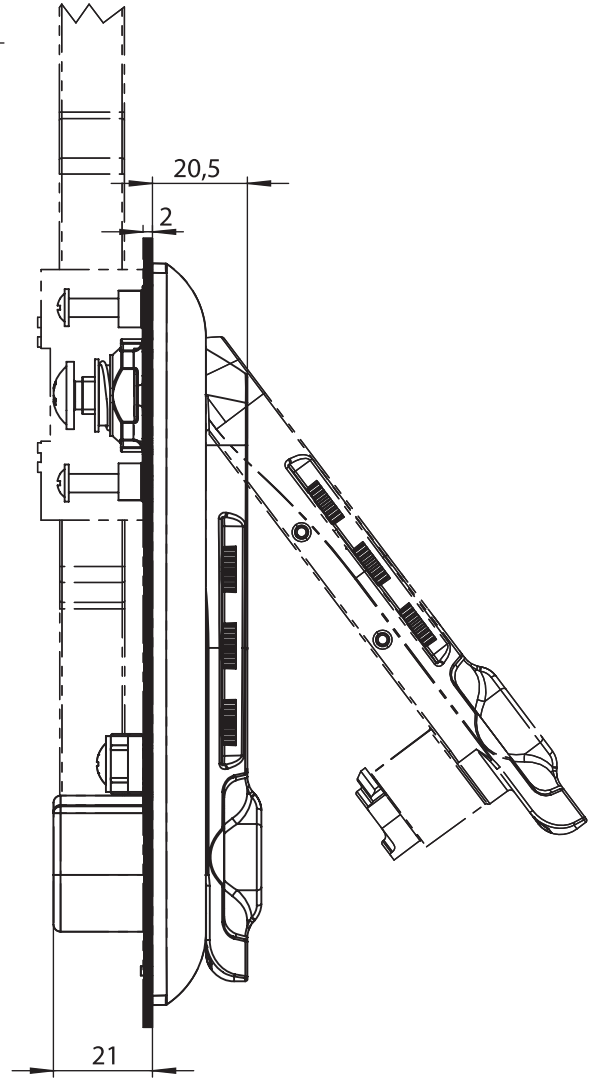
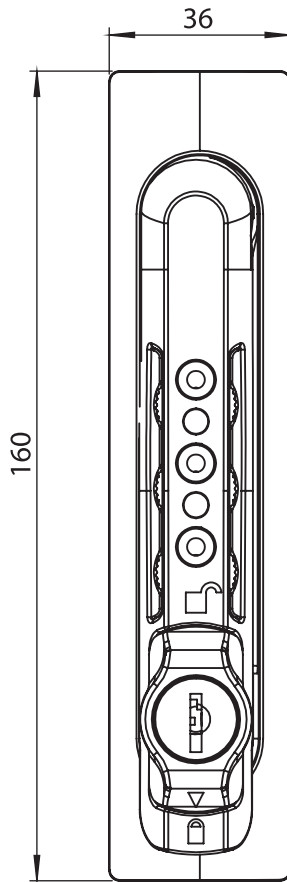
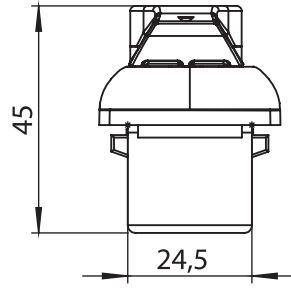
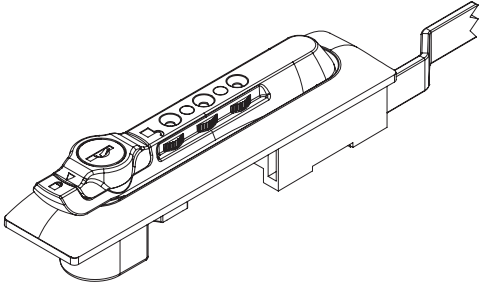
Material

Handle : Poliamide (PA6 GFR30), black
Dish : Poliamide (PA6 GFR30), black
Sliding Latch: Poliamide (PA6 GFR30), black

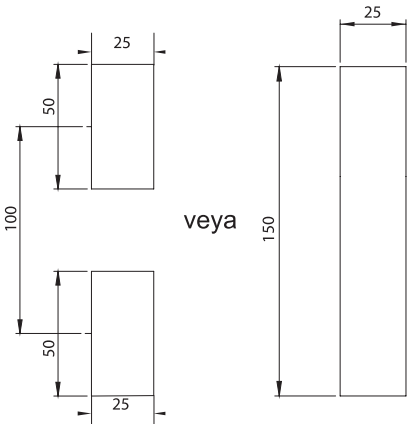
Options

Flat Rods : Page 86-89
Flat Rod Guides : Page 87-91

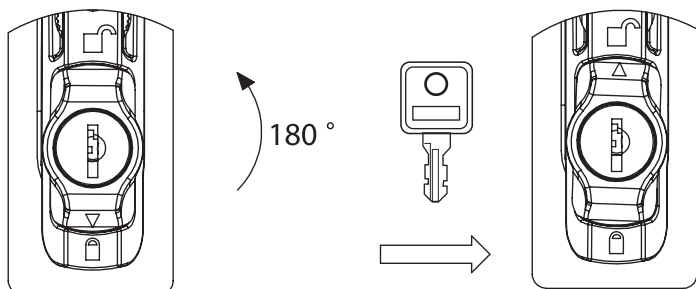
IP 40		LH/RH		Complete Plastic
-------	--	-------	--	------------------



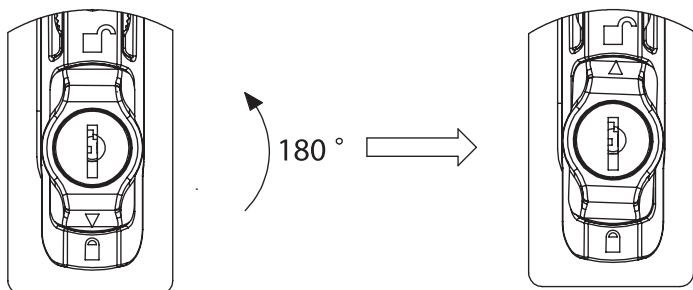
Cutout



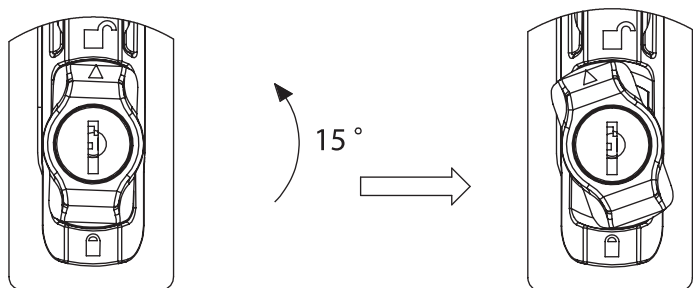
To change the pin code



To open the swinghandle with key



To open the swinghandle with code



To change the code, turn the knob 15°, enter the new code and close the knob again.



Rod Latch Systems

Material

Handle : Poliamide (PA6 GFR30), black
Dish : Poliamide (PA6 GFR30), black

Options

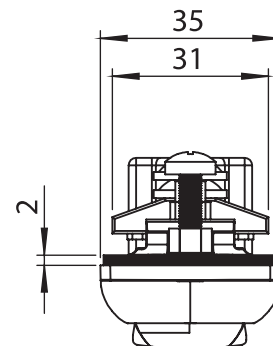
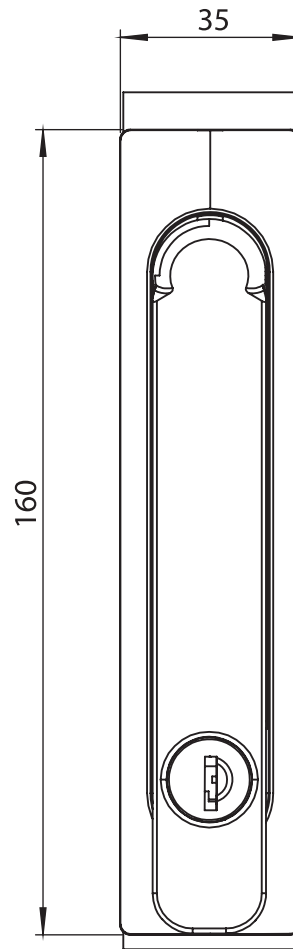
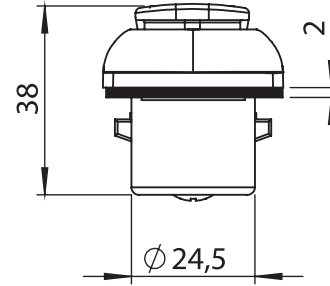
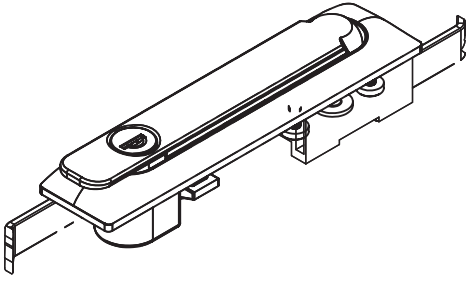
Rod Latch : Page 96-98
Cam Adapter : Page 137
Cams : Page 84-85
Flat Rods : Page 86-89
Flat Rod Guides : Page 87-91

2210 - Combination Lock Swinghandle

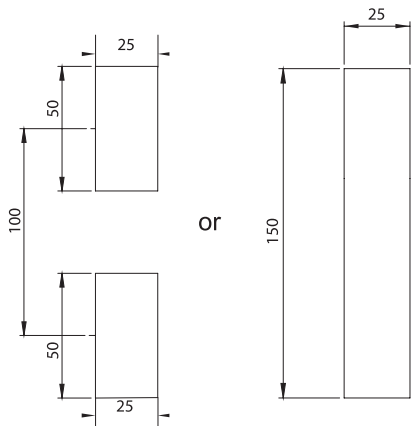
Combination locked and keyed 3333	2210 - 923 - MK - XXX
-----------------------------------	-----------------------

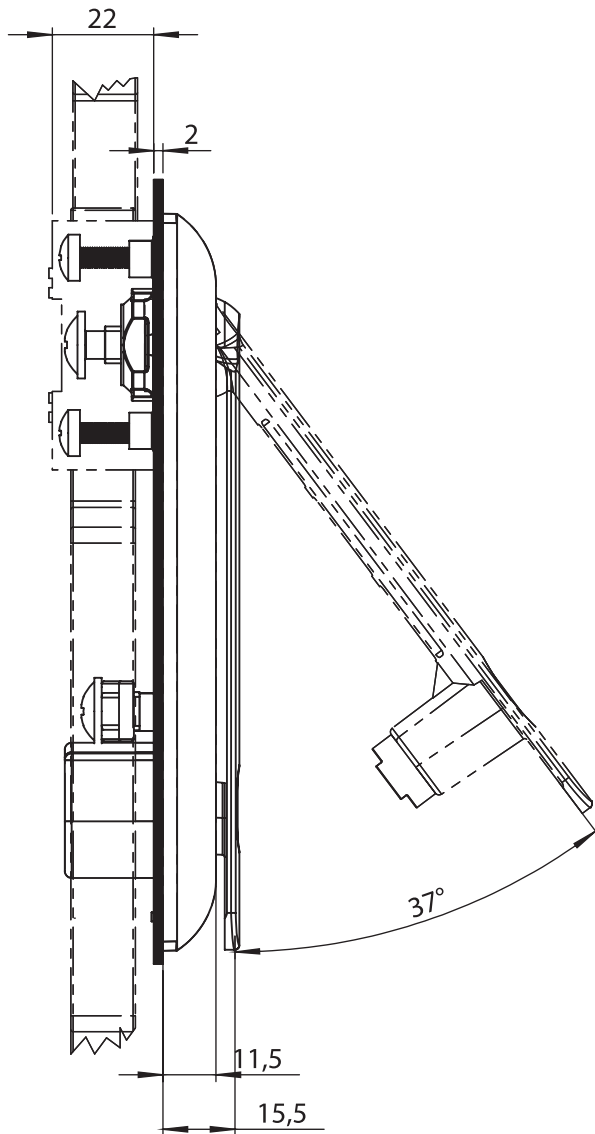
You may chose XXX section from cam tables
 You may chose MK section from Rod Latch Pages 96-98

Complete Plastic				IP 65
RoHS				LH/RH



Cutout





Rod Latch Systems

Material

- Handle** : Zinc Die, black coated or chrome plated
- Dish** : Zinc Die, black coated or chrome plated
- Padlock Device** : Stainless steel, AISI 304

Options

- Rod Latch** : Page 96-98
- Cam Adapter** : Page 137
- Cams** : Page 84-85
- Flat Rods** : Page 86-89
- Flat Rod Guides** : Page 87-91

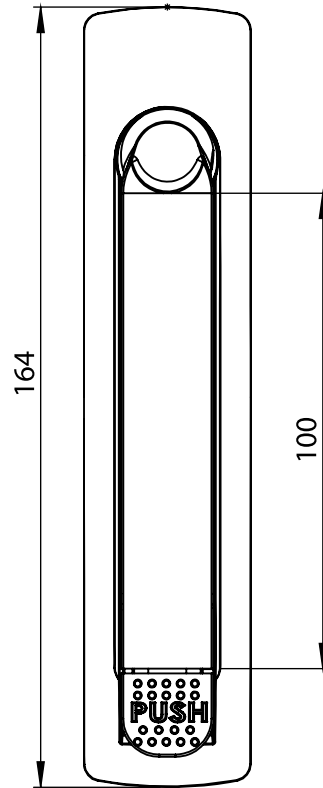
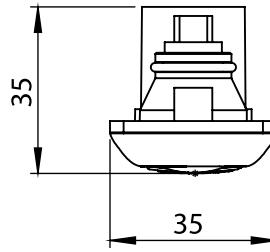
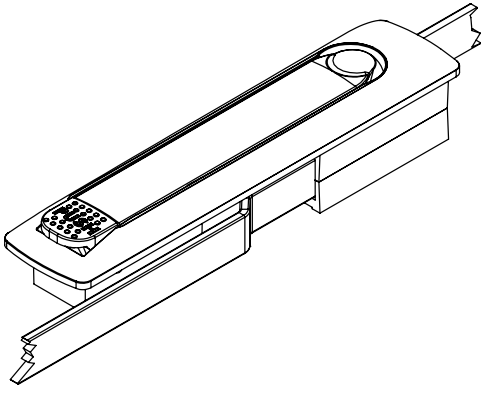
2105 - Swinghandle

Insert Type		Plain	with Padlock
	Double bit 3 mm	2105 - 041 - MK - xxx	2105 - 341 - MK - xxx
	Double bit 5 mm	2105 - 042 - MK - xxx	2105 - 342 - MK - xxx
	Triangular 7 mm	2105 - 047 - MK - xxx	2105 - 347 - MK - xxx
	Triangular 8 mm	2105 - 043 - MK - xxx	2105 - 343 - MK - xxx
	Triangular 9 mm	2105 - 049 - MK - xxx	2105 - 349 - MK - xxx
	Square 7 mm	2105 - 044 - MK - xxx	2105 - 344 - MK - xxx
	Square 8 mm	2105 - 045 - MK - xxx	2105 - 345 - MK - xxx
	Slotted	2105 - 048 - MK - xxx	2105 - 348 - MK - xxx

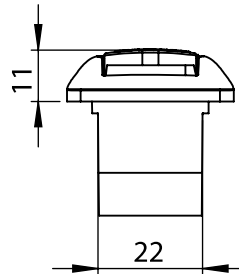
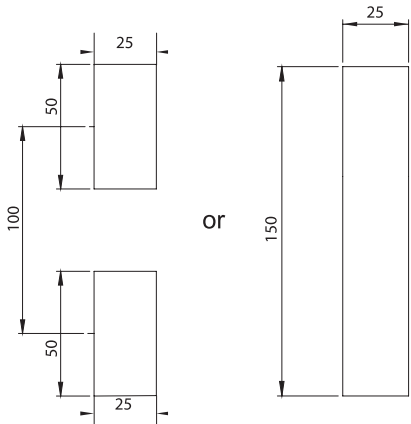
	Keyed 3333	2105 - 023 - MK - xxx	2105 - 323 - MK - xxx
	Keyed Same	2105 - 027 - MK - xxx	2105 - 327 - MK - xxx
	Keyed Differ	2105 - 029 - MK - xxx	2105 - 329 - MK - xxx
	Keyed Differ with Master System	2105 - 028 - MK - xxx	2105 - 328 - MK - xxx

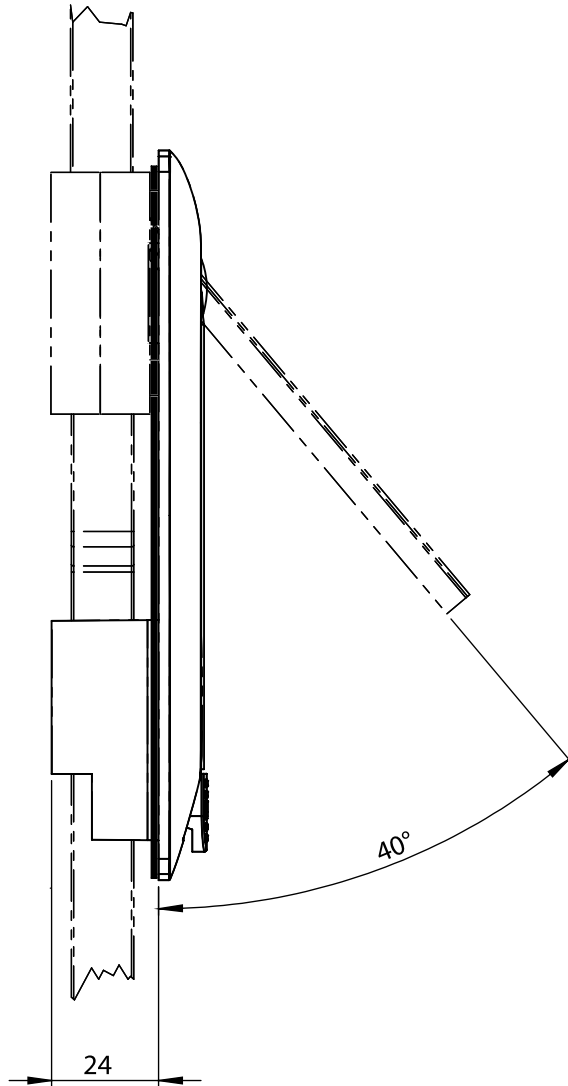
* Please replace item number 2105 with 2125 for chrome plated versions
 xxx Please see pages for Cams.
 Please see pages 96-98 for Escutcheon

Complete Zinc					IP 65
					RoHS LH/RH



Cutout





Rod Latch Systems








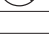

Material

Handle : Zinc Die, black coated or chrome plated
Dish : Poliamide (PA6 GFR30), black

Options

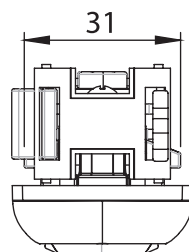
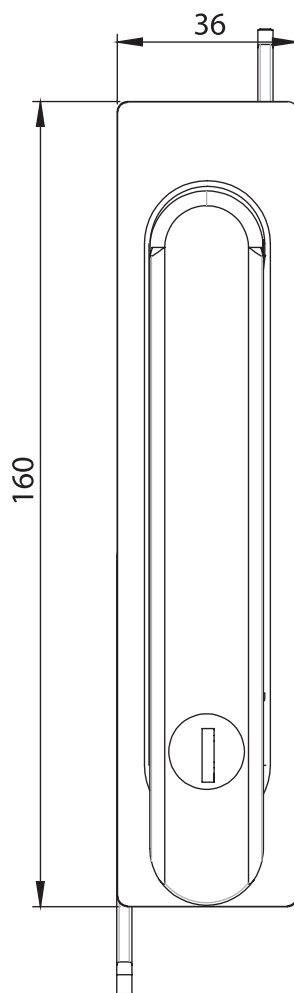
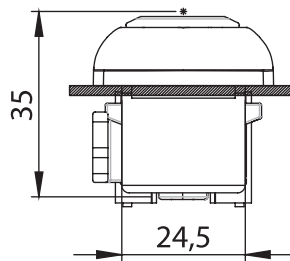
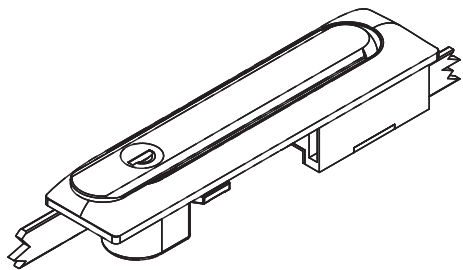
Rod Latch : Page 96-98
Cam Adapter : Page 137
Cams : Page 84-85
Flat Rods : Page 86-89
Flat Rod Guides : Page 87-91

2103 - Push Button Swinghandle

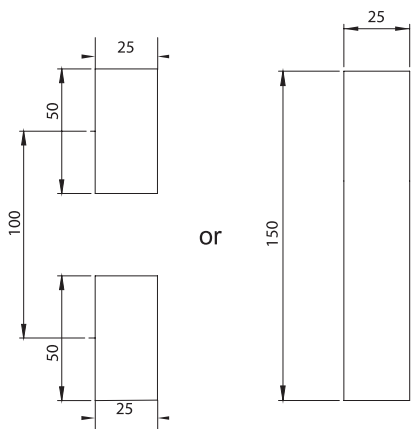
	Insert Type	Black Coated	Chrome Plated
	Double bit 3 mm	2216 - 041 - xxx	2226 - 341 - xxx
	Double bit 5 mm	2216 - 042 - xxx	2226 - 342 - xxx
	Triangular 7 mm	2216 - 047 - xxx	2226 - 347 - xxx
	Triangular 8 mm	2216 - 043 - xxx	2226 - 343 - xxx
	Triangular 9 mm	2216 - 049 - xxx	2226 - 349 - xxx
	Square 7 mm	2216 - 044 - xxx	2226 - 344 - xxx
	Square 8 mm	2216 - 045 - xxx	2226 - 345 - xxx
	Slotted	2216 - 048 - xxx	2226 - 348 - xxx
	Keyed 3333	2216 - 023 - xxx	2226 - 323 - xxx
	Keyed Same	2216 - 027 - xxx	2226 - 327 - xxx
	Keyed Differ	2216 - 029 - xxx	2226 - 329 - xxx
	Keyed Differ with Master System	2216 - 028 - xxx	2226 - 328 - xxx

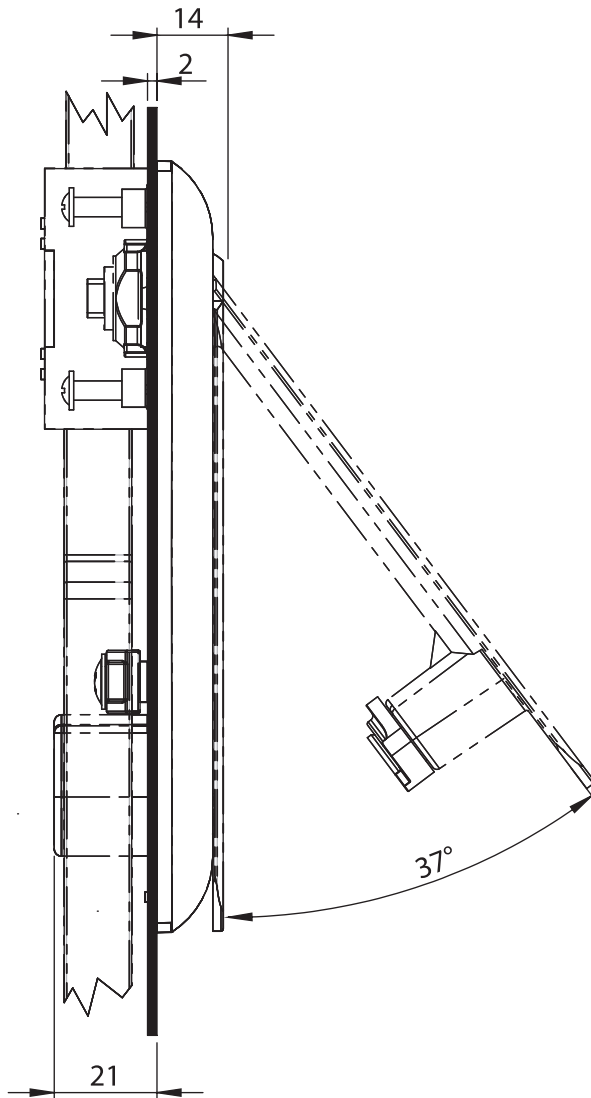
You may chose XXX section from cam tables
 You may chose MK section from Rod Latch Pages 96-98





Cutout





Rod Latch Systems

Material

- Handle** : Zinc Die, black coated
- Dish** : Poliamide (PA6 GFR30), black
- Padlock Device** : Stainless Steel, AISI 304

Options

- Rod Latch** : Page 96-98
- Cam Adapter** : Page 137
- Cams** : Page 84-85
- Flat Rods** : Page 86-89
- Flat Rod Guides** : Page 87-91

2301 - Swinghandle

Insert Type	Black Coated	Chrome Plated
	2301 - 041 - MK - xxx	2301 - 341 - MK - xxx
	2301 - 042 - MK - xxx	2301 - 342 - MK - xxx
	2301 - 047 - MK - xxx	2301 - 347 - MK - xxx
	2301 - 043 - MK - xxx	2301 - 343 - MK - xxx
	2301 - 049 - MK - xxx	2301 - 349 - MK - xxx
	2301 - 044 - MK - xxx	2301 - 344 - MK - xxx
	2301 - 045 - MK - xxx	2301 - 345 - MK - xxx
	2301 - 048 - MK - xxx	2301 - 348 - MK - xxx

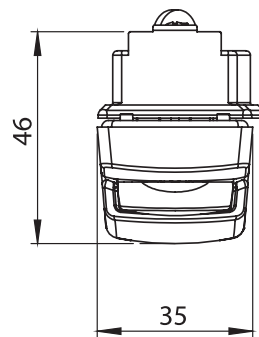
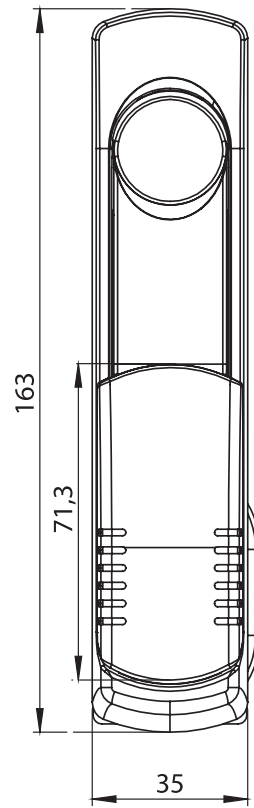
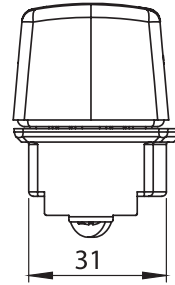
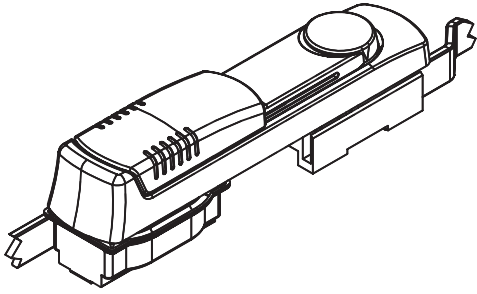
	Keyed 3333	2301 - 023 - MK - xxx	2301 - 323 - MK - xxx
	Keyed Same	2301 - 027 - MK - xxx	2301 - 327 - MK - xxx
	Keyed Differ	2301 - 029 - MK - xxx	2301 - 329 - MK - xxx
	Keyed Differ with Master System	2301 - 028 - MK - xxx	2301 - 328 - MK - xxx

You may chose XXX section from cam tables
 You may chose MK section from Rod Latch Pages 96-98

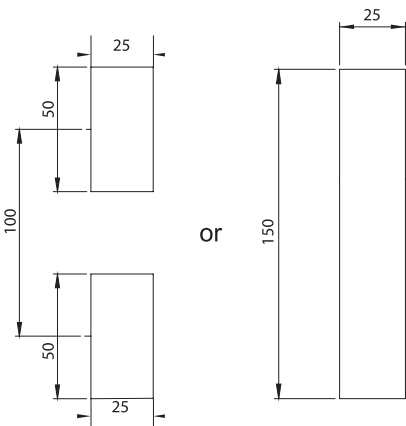
RoHS

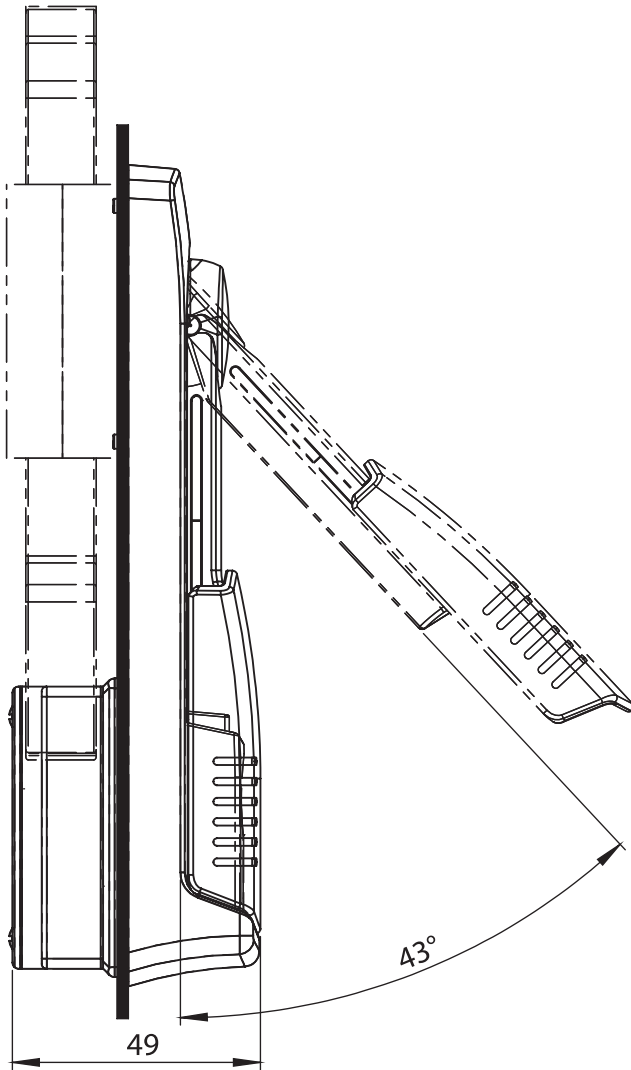
IP 65

LH/RH



Cutout





Rod Latch Systems

Material

Handle : Zinc Die, black coated

Dish : Poliamide (PA6 GFR30), black

Options

Rod Latch : Page 96








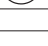
Cam Adapter : Page 137


Cams : Page 84-85

Flat Rods : Page 86-89

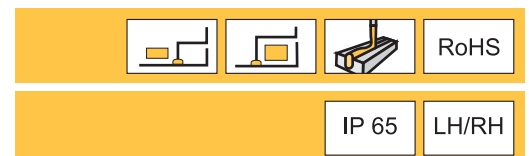
Flat Rod Guides : Page 87-91

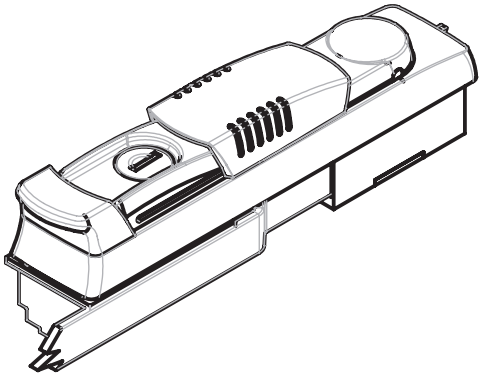
2303 - Swinghandle

Insert Type		
	Double bit 3 mm	2303 - 031 - MK - xxx
	Double bit 5 mm	2303 - 032 - MK - xxx
	Triangular 7 mm	2303 - 037 - MK - xxx
	Triangular 8 mm	2303 - 033 - MK - xxx
	Triangular 9 mm	2303 - 039 - MK - xxx
	Square 7 mm	2303 - 034 - MK - xxx
	Square 8 mm	2303 - 035 - MK - xxx
	Slotted	2303 - 038 - MK - xxx

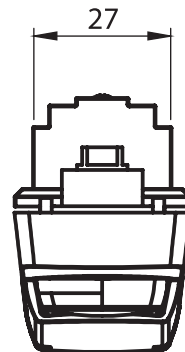
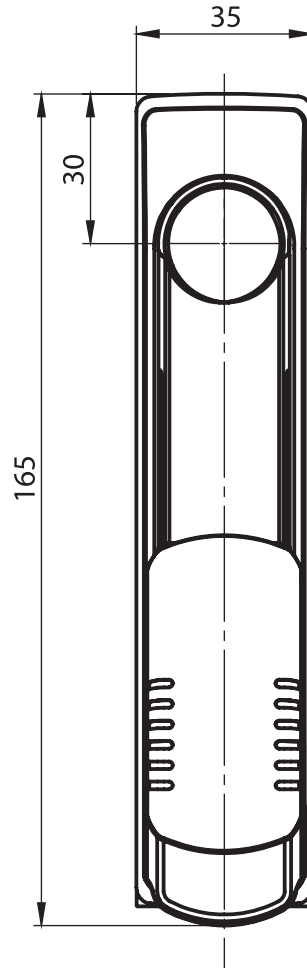
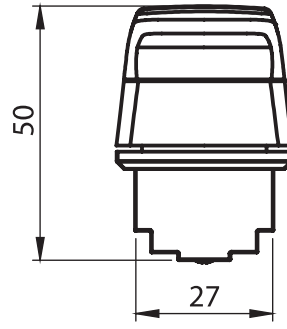
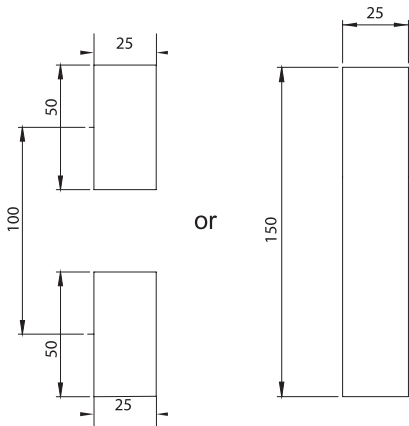
	Keyed 3333	2303 - 013 - MK - xxx
	Keyed Same	2303 - 017 - MK - xxx
	Keyed Differ	2303 - 019 - MK - xxx
	Keyed Differ with Master System	2303 - 018 - MK - xxx

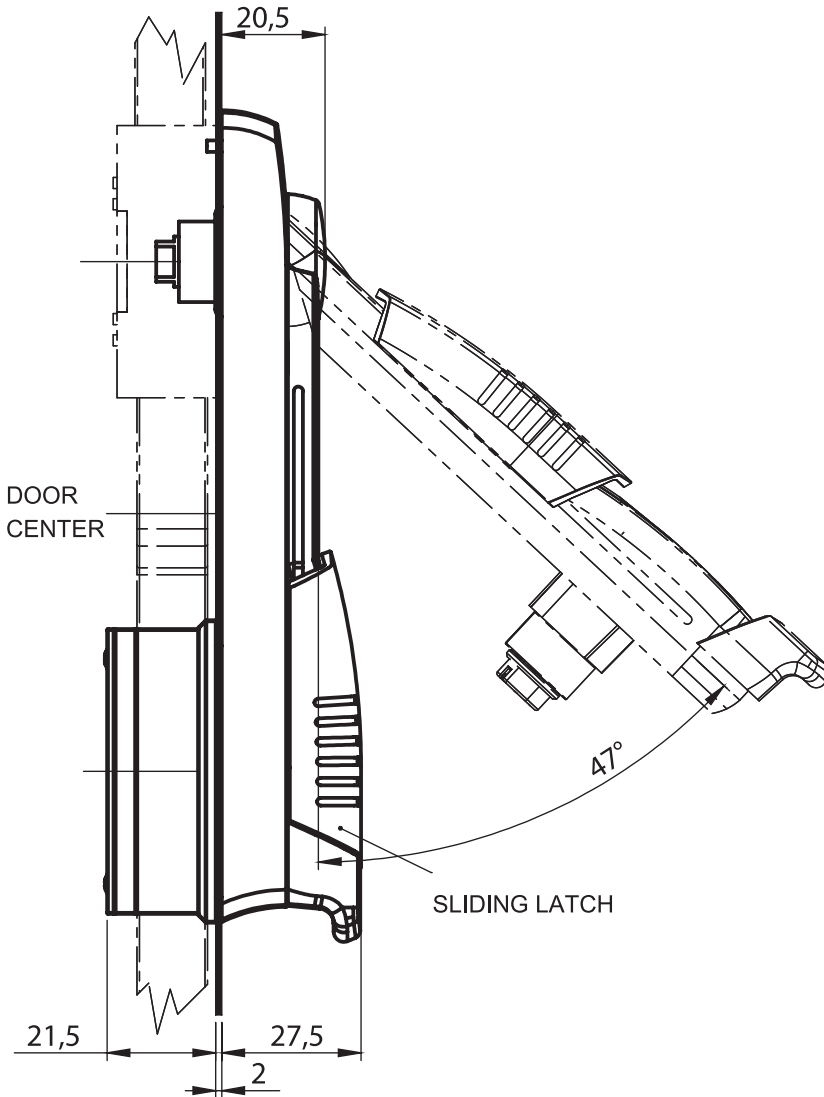
You may chose XXX section from cam tables
You may chose MK section from Rod Latch Pages 96-98





Cutout





Rod Latch Systems

Material

Handle : Poliamide (PA6 GFR30), black
Dish : Poliamide (PA6 GFR30), black
Sliding Latch: Poliamide (PA6 GFR30), black

2201 - Swinghandle for Rod Latch System

Insert Types		
	Double Bit 3 mm	2201 - 041 - MK - xxx
	Double Bit 5 mm	2201 - 042 - MK - xxx
	Triangular 8 mm	2201 - 047 - MK - xxx
	Triangular 8 mm	2201 - 043 - MK - xxx
	Triangular 9 mm	2201 - 049 - MK - xxx
	Square 7 mm	2201 - 044 - MK - xxx
	Square 8 mm	2201 - 045 - MK - xxx
	Slotted	2201 - 048 - MK - xxx
	Keyed 3333	2201 - 023 - MK - xxx
	Keyed Same	2201 - 027 - MK - xxx
	Keyed Differ	2201 - 029 - MK - xxx
	Keyed Differ with Master System	2201 - 028 - MK - xxx

Options

Rod Latch : Page 96
Cam Adapter : Page 137
Cams : Page 84-85
Flat Rods : Page 86-89
Flat Rod Guides : 87-91

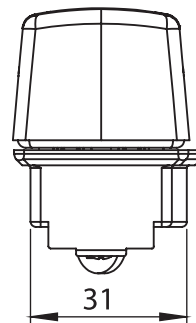
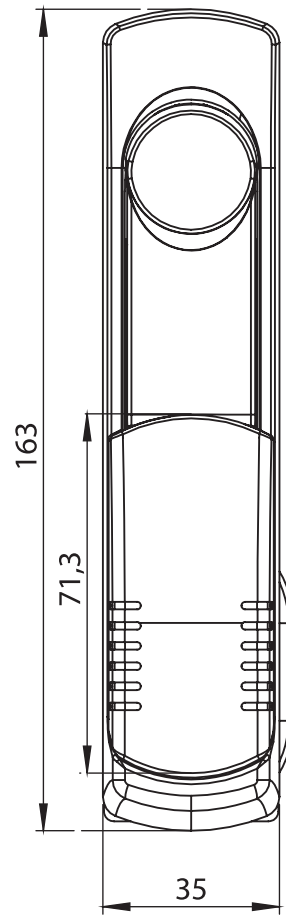
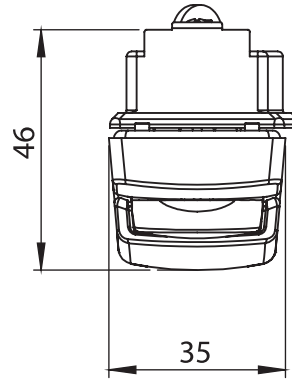
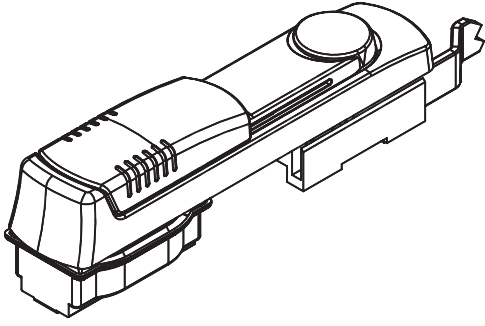
You may chose XXX section from cam tables.
 You may chose MK section from Rod Latch Pages 96-98.

Complete PA

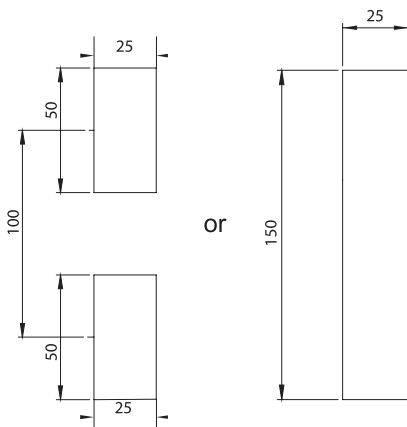
RoHS

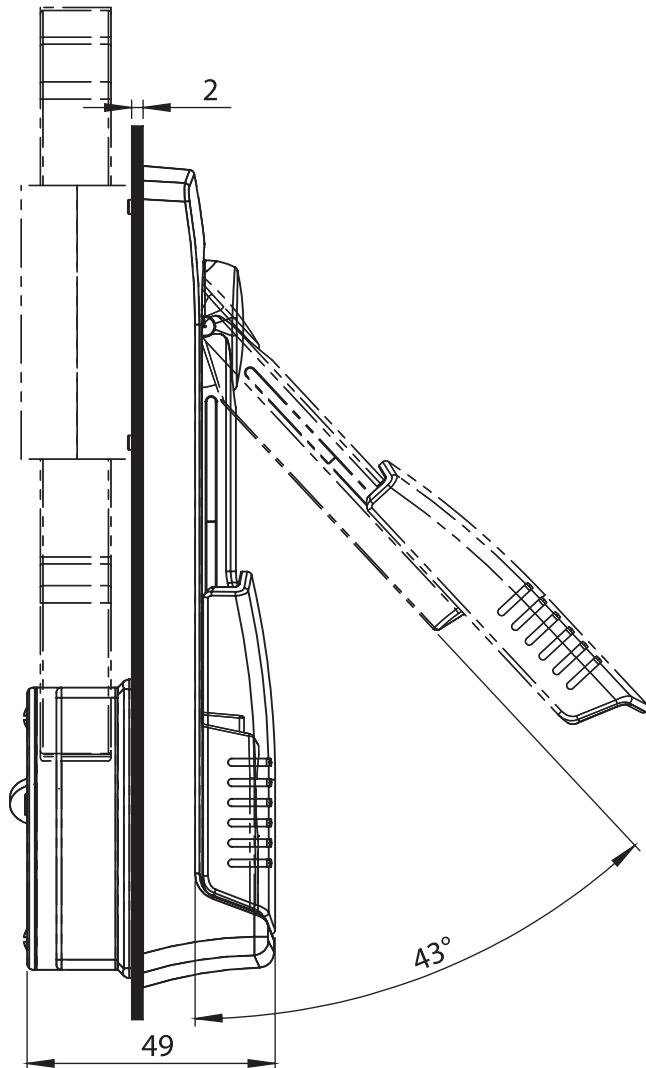
IP 65

LH/RH



Cutout





Rod Latch Systems

Material

Handle : Poliamide (PA6 GFR30), black
Dish : Poliamide (PA6 GFR30), black
Sliding Latch: Poliamide (PA6 GFR30), black

2213 - Swinghandle for Rod Latch System

Cylinder Type		
	Double Bit 3 mm	2213 - 031 - MK - xxx
	Double Bit 5 mm	2213 - 032 - MK - xxx
	Triangular 8 mm	2213 - 037 - MK - xxx
	Triangular 8 mm	2213 - 033 - MK - xxx
	Triangular 9 mm	2213 - 039 - MK - xxx
	Square 7 mm	2213 - 034 - MK - xxx
	Square 8 mm	2213 - 035 - MK - xxx
	Slotted	2213 - 038 - MK - xxx

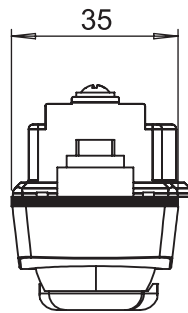
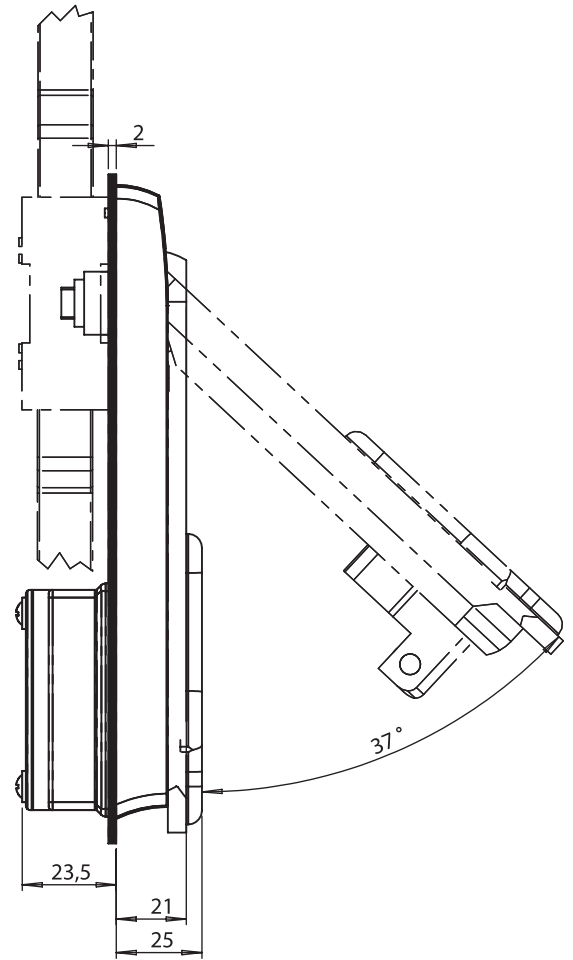
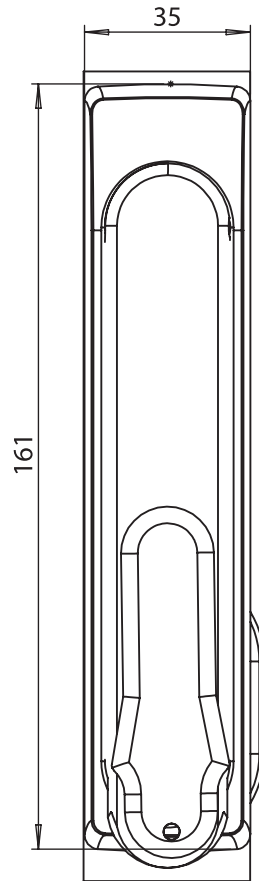
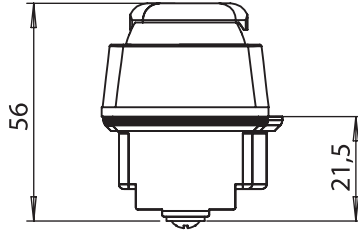
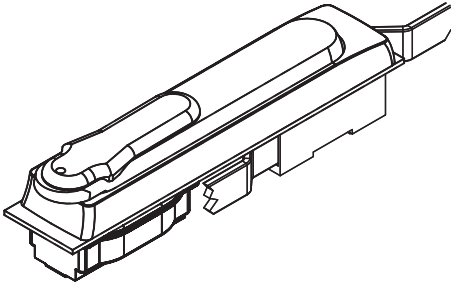
	Keyed 3333	2213 - 013 - MK - xxx
	Keyed Same	2213 - 017 - MK - xxx
	Keyed Differ	2213 - 019 - MK - xxx
	Keyed Differ with Master System	2213 - 018 - MK - xxx

You may chose XXX section from cam tables.
 You may chose MK section from Rod Latch Pages 96-98.

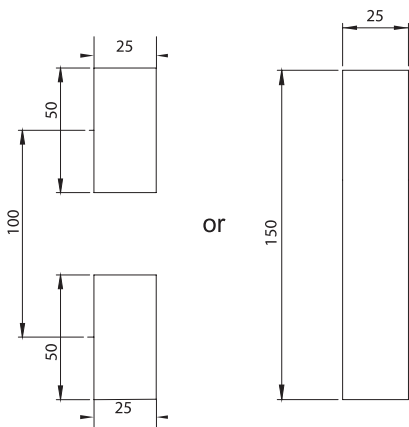
Options

Rod Latch : Page 96
Cam Adapter : Page 137
Cams : Page 84-85
Flat Rods : Page 86-89
Flat Rod Guides : 87-91








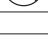
Complete PA				RoHS
				IP 65
				LH/RH




Cutout








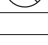



2202 - Swinghandle for Rod Latch System

WITH PADLOCK		Without Dustcap	With Dustcap
	Double Bit 3 mm	2202 - 331 - MK - xxx	2202 - 231 - MK - xxx
	Double Bit 5 mm	2202 - 332 - MK - xxx	2202 - 232 - MK - xxx
	Triangular 8 mm	2202 - 337 - MK - xxx	2202 - 237 - MK - xxx
	Triangular 8 mm	2202 - 333 - MK - xxx	2202 - 233 - MK - xxx
	Triangular 9 mm	2202 - 339 - MK - xxx	2202 - 239 - MK - xxx
	Square 7 mm	2202 - 334 - MK - xxx	2202 - 234 - MK - xxx
	Square 8 mm	2202 - 335 - MK - xxx	2202 - 235 - MK - xxx
	Slotted	2202 - 338 - MK - xxx	2202 - 238 - MK - xxx

	Keyed 3333	2202 - 313 - MK - xxx	2202 - 213 - MK - xxx
	Keyed Same	2202 - 317 - MK - xxx	2202 - 217 - MK - xxx
	Keyed Differ	2202 - 319 - MK - xxx	2202 - 219 - MK - xxx
	Keyed Differ with Master System	2202 - 318 - MK - xxx	2202 - 218 - MK - xxx

2202 - Swinghandle for Rod Latch System

WITHOUT PADLOCK		Without Dustcap	With Dustcap
	Double Bit 3 mm	2202 - 031 - MK - xxx	2202 - 131 - MK - xxx
	Double Bit 5 mm	2202 - 032 - MK - xxx	2202 - 132 - MK - xxx
	Triangular 8 mm	2202 - 037 - MK - xxx	2202 - 137 - MK - xxx
	Triangular 8 mm	2202 - 033 - MK - xxx	2202 - 133 - MK - xxx
	Triangular 9 mm	2202 - 039 - MK - xxx	2202 - 139 - MK - xxx
	Square 7 mm	2202 - 034 - MK - xxx	2202 - 134 - MK - xxx
	Square 8 mm	2202 - 035 - MK - xxx	2202 - 135 - MK - xxx
	Slotted	2202 - 038 - MK - xxx	2202 - 138 - MK - xxx

	Keyed 3333	2202 - 013 - MK - xxx	2202 - 113 - MK - xxx
	Keyed Same	2202 - 017 - MK - xxx	2202 - 117 - MK - xxx
	Keyed Differ	2202 - 019 - MK - xxx	2202 - 119 - MK - xxx
	Keyed Differ with Master System	2202 - 018 - MK - xxx	2202 - 118 - MK - xxx

You may chose XXX section from cam tables.
 You may chose MK section from Rod Latch Pages 96-98.




Rod Latch Systems

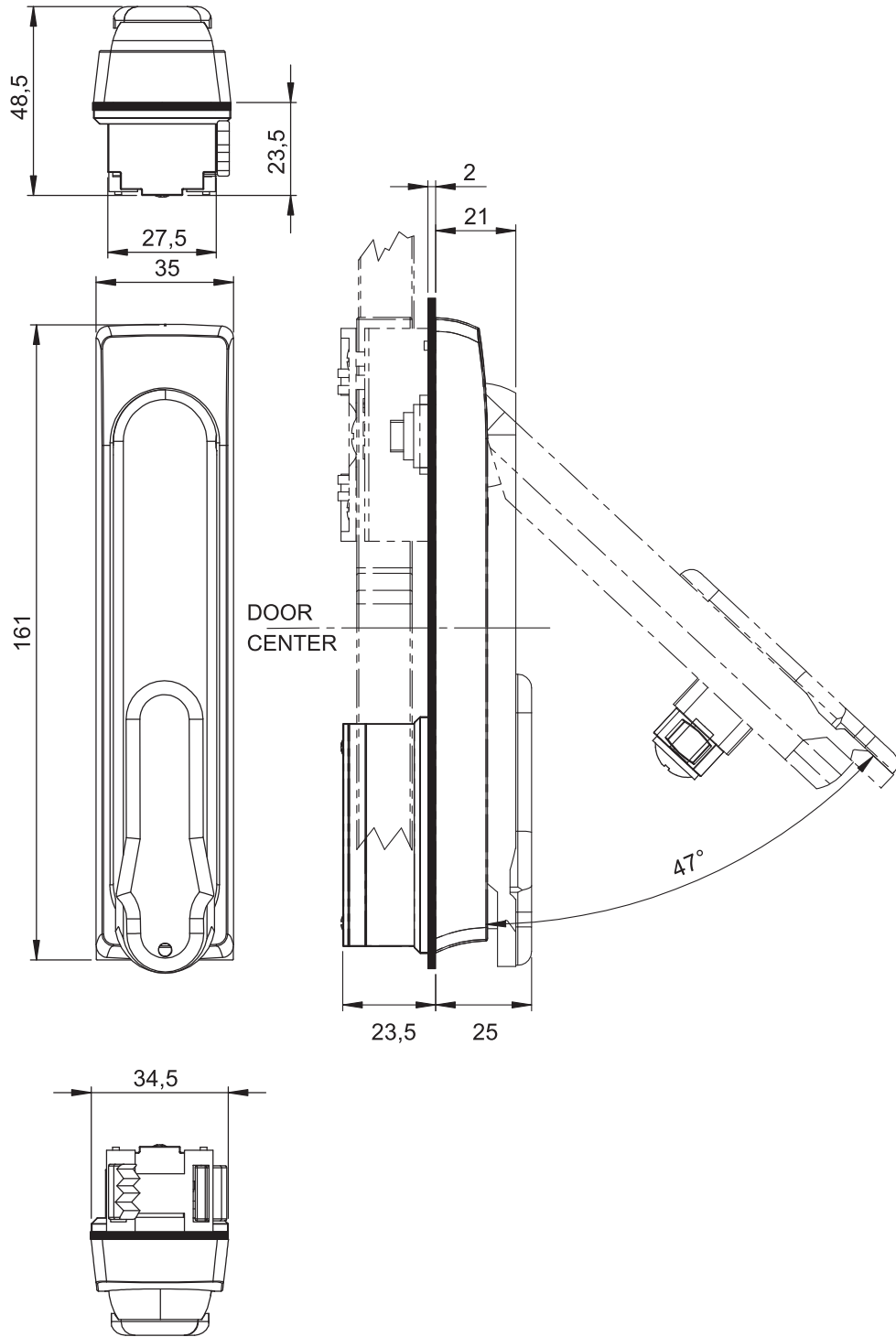
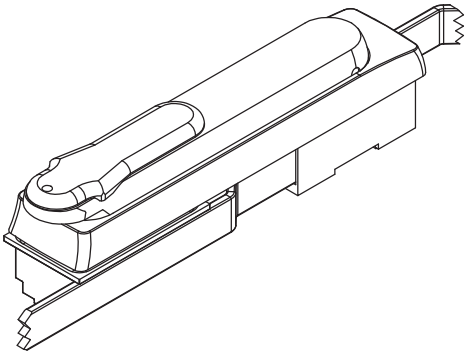
Material

Handle : Poliamide (PA6 GFR30), black
Dish : Poliamide (PA6 GFR30), black
Dust Cover : Poliamide (PA6 GFR30), black
Padlock Device: Stainless Steel, AISI 304

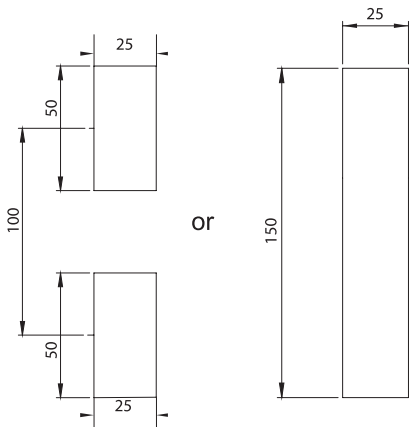
Options

Rod Latch : Page 96
Cam Adapter : Page 137
Cams : Page 84-85
Flat Rods : Page 86-89
Flat Rod Guides : 87-91









 Complete PA				 RoHS
				 IP 65
				 LH/RH




Cutout












2203 - Swinghandle for Rod Latch System

WITH PADLOCK		With Dustcap	With Dustcap
	Double Bit 3 mm	2203 - 341 - MK - xxx	2203 - 241 - MK - xxx
	Double Bit 5 mm	2203 - 342 - MK - xxx	2203 - 242 - MK - xxx
	Triangular 8 mm	2203 - 347 - MK - xxx	2203 - 247 - MK - xxx
	Triangular 8 mm	2203 - 343 - MK - xxx	2203 - 243 - MK - xxx
	Triangular 9 mm	2203 - 349 - MK - xxx	2203 - 249 - MK - xxx
	Square 7 mm	2203 - 344 - MK - xxx	2203 - 244 - MK - xxx
	Square 8 mm	2203 - 345 - MK - xxx	2203 - 245 - MK - xxx
	Slotted	2203 - 348 - MK - xxx	2203 - 248 - MK - xxx

	Keyed 3333	2203 - 323 - MK - xxx	2203 - 223 - MK - xxx
	Keyed Same	2203 - 327 - MK - xxx	2203 - 227 - MK - xxx
	Keyed Differ	2203 - 329 - MK - xxx	2203 - 229 - MK - xxx
	Keyed Differ with Master System	2203 - 328 - MK - xxx	2203 - 228 - MK - xxx

2203 - Swinghandle for Rod Latch System

WITHOUT PADLOCK		Without Dustcap	With Dustcap
	Double Bit 3 mm	2203 - 041 - MK - xxx	2203 - 141 - MK - xxx
	Double Bit 5 mm	2203 - 042 - MK - xxx	2203 - 142 - MK - xxx
	Triangular 8 mm	2203 - 047 - MK - xxx	2203 - 147 - MK - xxx
	Triangular 8 mm	2203 - 043 - MK - xxx	2203 - 143 - MK - xxx
	Triangular 9 mm	2203 - 049 - MK - xxx	2203 - 149 - MK - xxx
	Square 7 mm	2203 - 044 - MK - xxx	2203 - 144 - MK - xxx
	Square 8 mm	2203 - 045 - MK - xxx	2203 - 145 - MK - xxx
	Slotted	2203 - 048 - MK - xxx	2203 - 148 - MK - xxx

	Keyed 3333	2203 - 023 - MK - xxx	2203 - 123 - MK - xxx
	Keyed Same	2203 - 027 - MK - xxx	2203 - 127 - MK - xxx
	Keyed Differ	2203 - 029 - MK - xxx	2203 - 129 - MK - xxx
	Keyed Differ with Master System	2203 - 028 - MK - xxx	2203 - 128 - MK - xxx

You may chose XXX section from cam tables.
You may chose MK section from Rod Latch Pages 96-98.







Rod Latch Systems

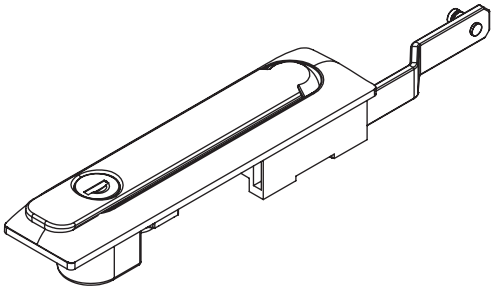
Material

Handle : Poliamide (PA6 GFR30), black
Dish : Poliamide (PA6 GFR30), black
Dust Cover : Poliamide (PA6 GFR30), black
Padlock Device: Stainless Steel, AISI 304

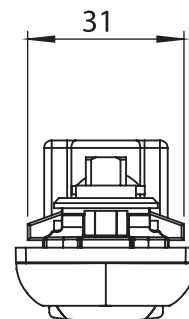
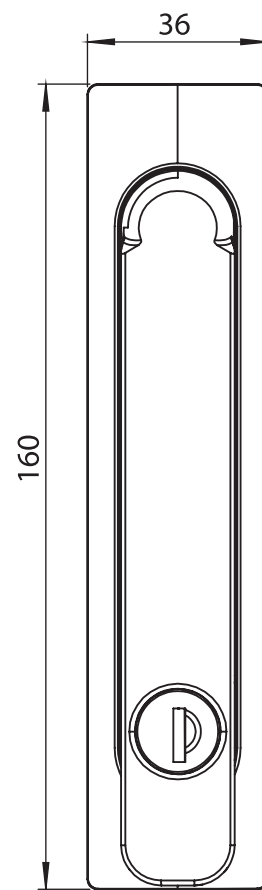
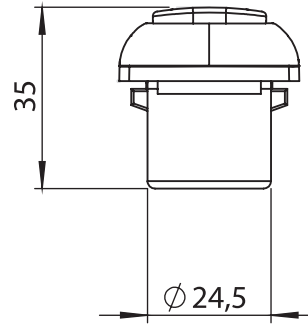
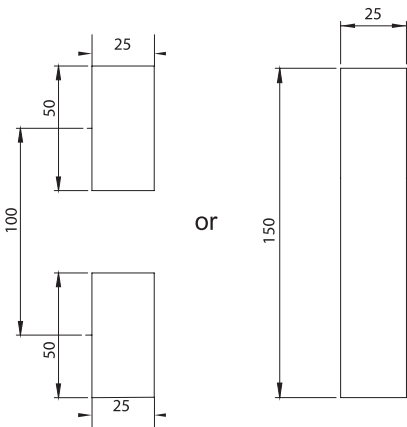
Options

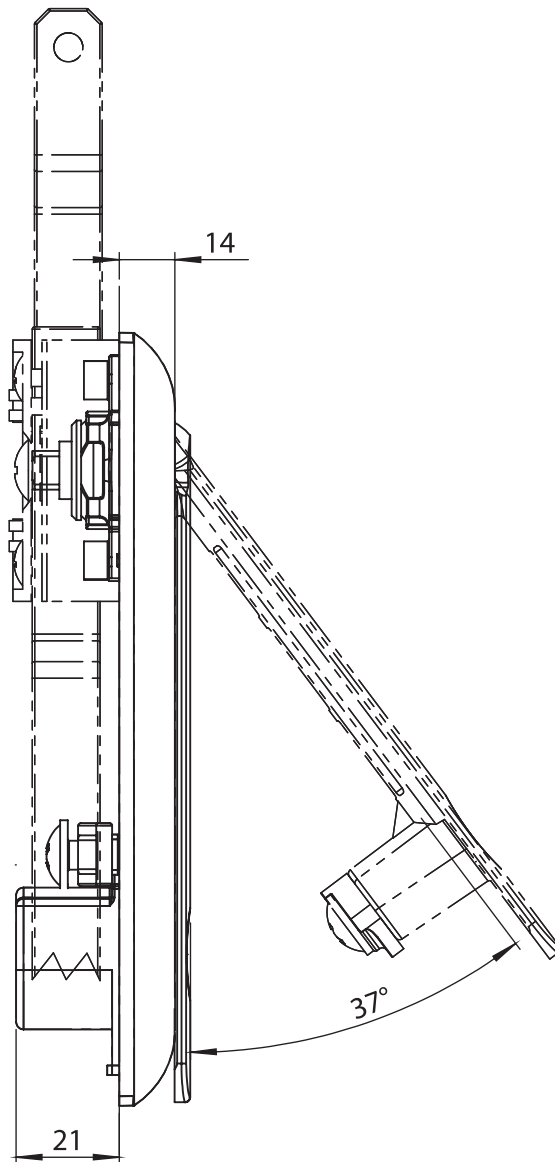
Rod Latch : Page 96
Cam Adapter : Page 137
Cams : Page 84-85
Flat Rods : Page 86-89
Flat Rod Guides : 87-91

Complete PA					RoHS
				IP 65	LH/RH



Cutout





Rod Latch Systems

Material

Handle : Poliamide (PA6 GFR30), black
Dish : Poliamide (PA6 GFR30), black

2208 - Swinghandle for Rod Latch

Insert Types		
	Double Bit 3 mm	2208 - 041 - MK - xxx
	Double Bit 5 mm	2208 - 042 - MK - xxx
	Triangular 8 mm	2208 - 047 - MK - xxx
	Triangular 8 mm	2208 - 043 - MK - xxx
	Triangular 9 mm	2208 - 049 - MK - xxx
	Square 7 mm	2208 - 044 - MK - xxx
	Square 8 mm	2208 - 045 - MK - xxx
	Slotted	2208 - 048 - MK - xxx
	Keyed 3333	2208 - 023 - MK - xxx
	Keyed Same	2208 - 027 - MK - xxx
	Keyed Differ	2208 - 029 - MK - xxx
	Keyed Differ with Master System	2208 - 028 - MK - xxx

Options

Rod Latch : Page 96
Cam Adapter : Page 137
Cams : Page 84-85
Flat Rods : Page 86-89
Flat Rod Guides : 87-91

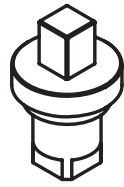
You may chose XXX section from cam tables.
 You may chose MK section from Rod Latch Pages 96-98.

Complete PA				RoHS
				IP 65
				LH/RH

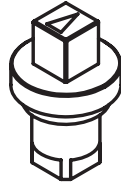
Profile Cylinder Types

	Insert Type	Item Number
	Double Bit 3 mm	2001 - 031
	Double Bit 5 mm	2001 - 032
	Triangular 8 mm	2001 - 037
	Triangular 8 mm	2001 - 033
	Triangular 9 mm	2001 - 039
	Square 7 mm	2001 - 034
	Square 8 mm	2001 - 035
	Slotted	2001 - 038
	Keyed 3333	2001 - 333
	Keyed Same	2001 - 337
	Keyed Differ	2001 - 339
	Keyed Differ with Master System	2001 - 338

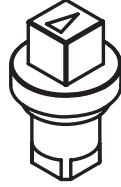
Insert Types



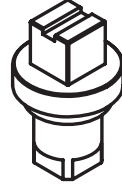
Square 6



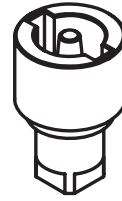
Square 7



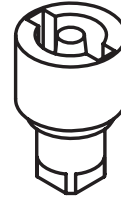
Square 8



Square 8
Slotted



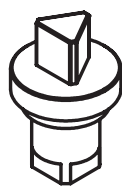
Double Bit
3mm



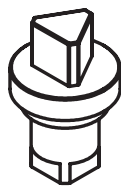
Double Bit
5mm



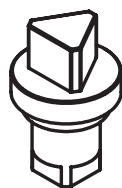
Triangular 6,5



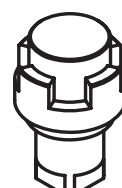
Triangular 7



Triangular 8



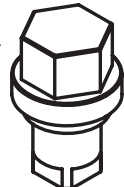
Triangular 9



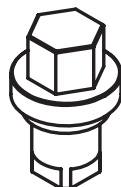
Crown Type



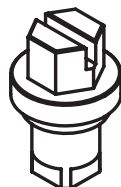
Fiat Type



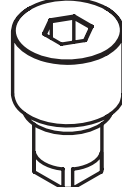
Hexagon 10



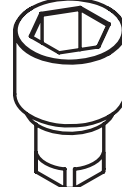
Hexagon 7



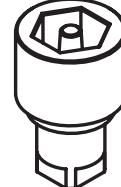
Hexagon 10
Slotted



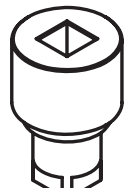
Soket
Hexagon 6



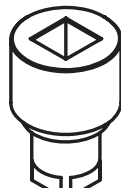
Soket
Hexagon 10



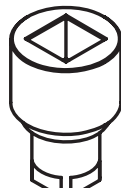
Hexagon
with Pin



Socket
Square 6



Socket
Square 7



Socket
Square 8



GDF
10x5



Eastern
Europe



Slotted

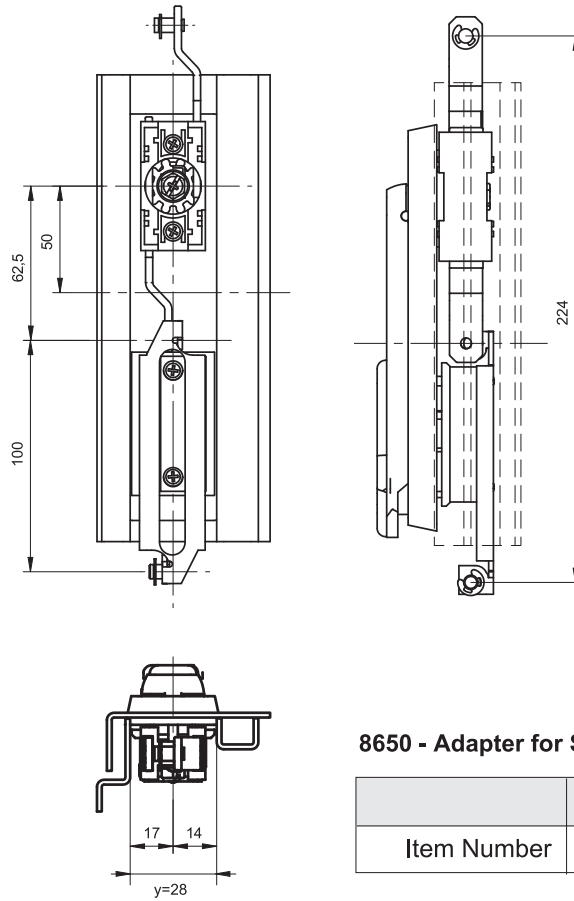


Daimler Benz
Type



Slotted
Coin Proof

8650-000
Adapter for Small Widths



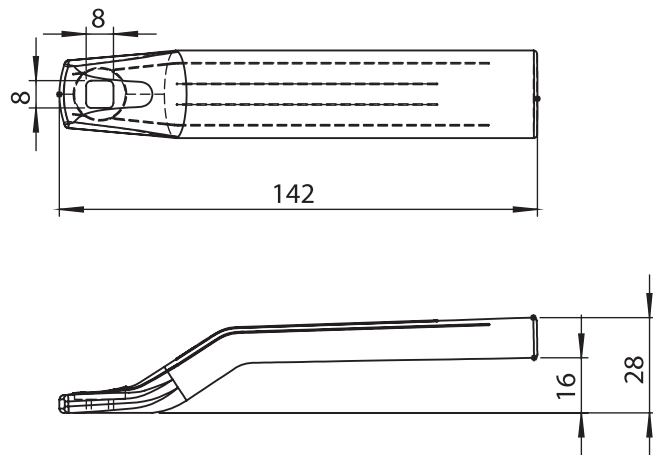
8650 - Adapter for Small Widths

Item Number	8650-001
-------------	----------

Material

Steel, Zinc Plated

8660-001
Emergency Handle for Rod Latch



8660 - Adapter for Small Widths

Item Number	8660 - 001
-------------	------------

Material

Poliamide (PA6 %30 GFR)

2900 - Cam Adapter

Swinghandle Models	Adapter Code
2208 / 2210 / 2301	2900 - 101
2105 / 2201 / 2202 / 2203 / 2213 / 2303	2900 - 100

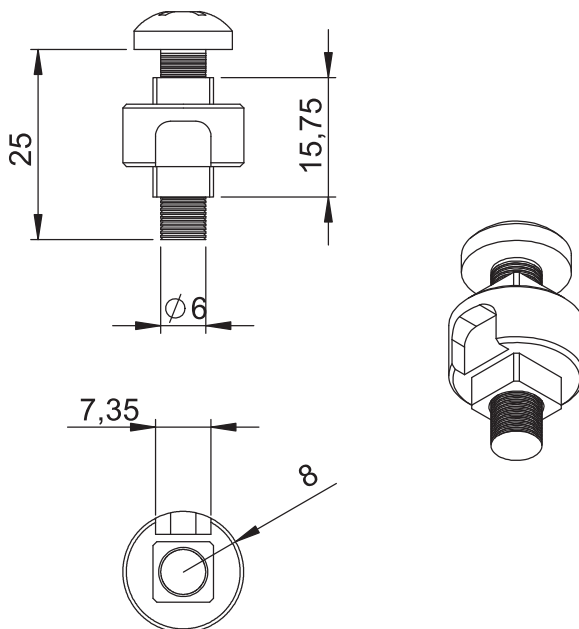
2900 Cam Adapter



Rod Latch Systems

Material

Plastic Adapter: Poliamide (PA6 GFR30), black
Metal Adapter : Zinc Die, raw



2900 - Rod Latch Cam Adapter

Item Number	2900 - 300
-------------	------------

2900 Rod Latch Cam Adapter

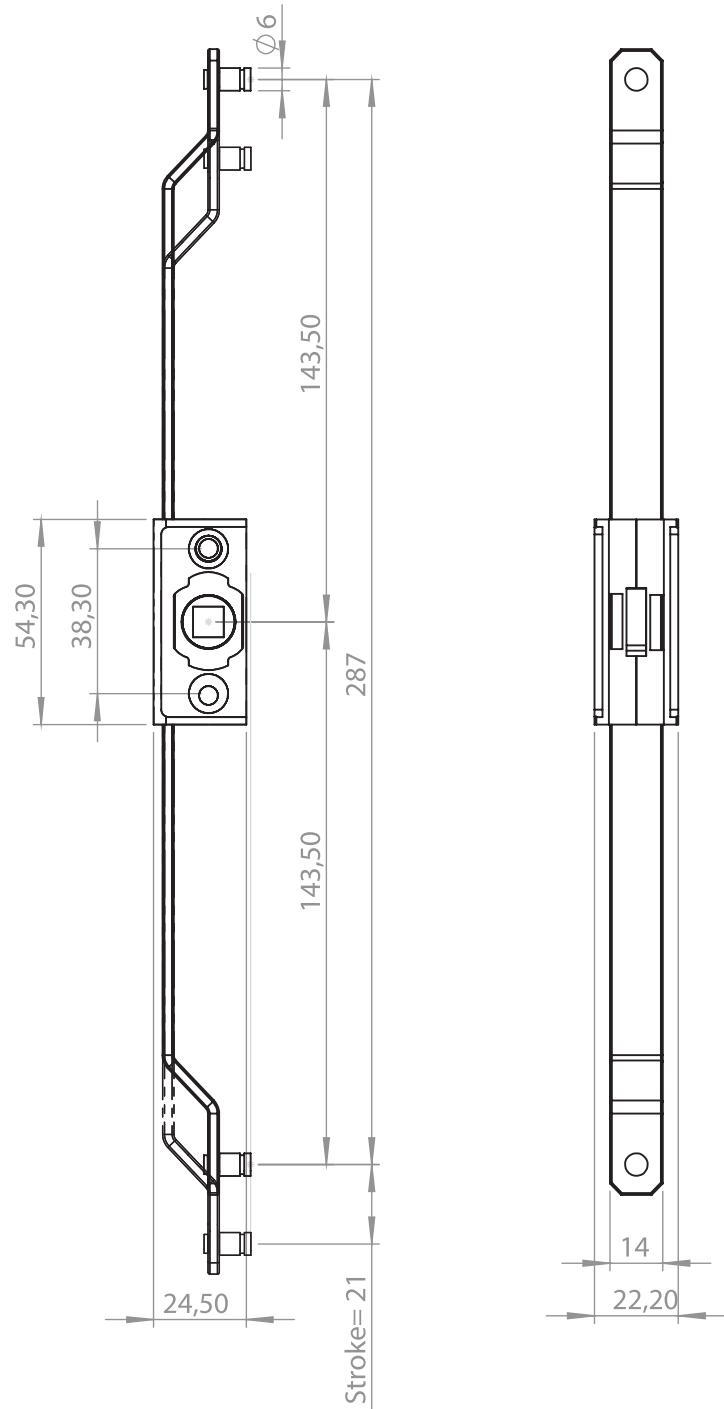


Material : Zinc Die



Only
24,5mm
width

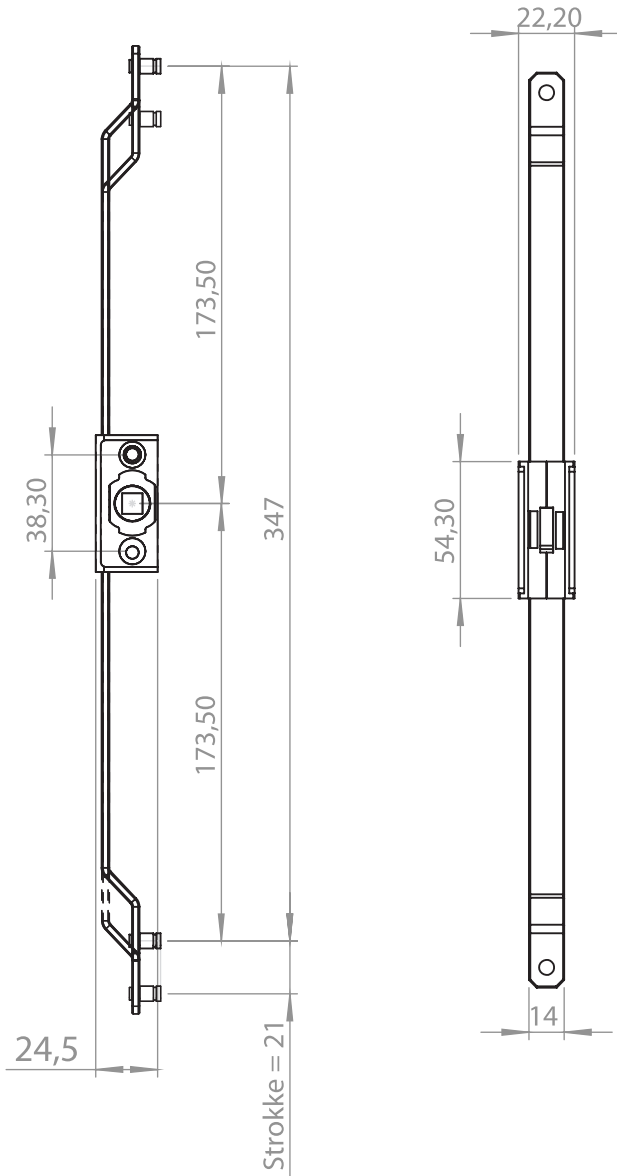
Rod Latch Systems



Material

- Housing** : Zinc Die
- Rods** : Steel, zinc plated
- Pins** : Steel, zinc plated

MK	Item Number
154	8254-000



Only
24,5mm
width

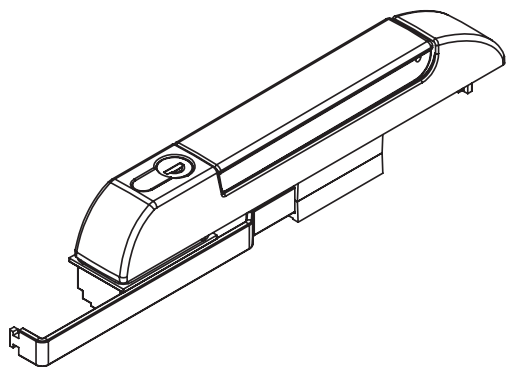


Material

- Housing** : Zinc Die
- Rods** : Steel, zinc plated
- Pins** : Steel, zinc plated

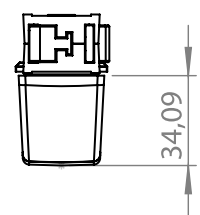
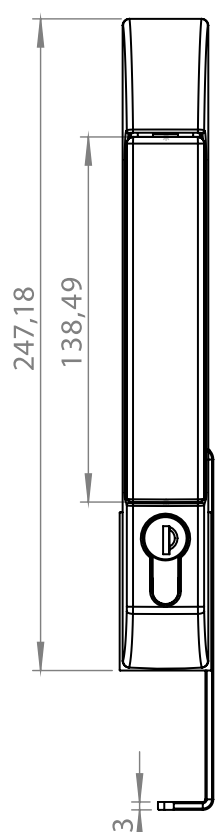
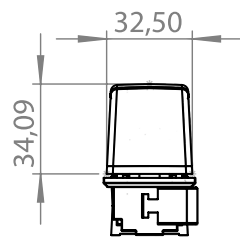
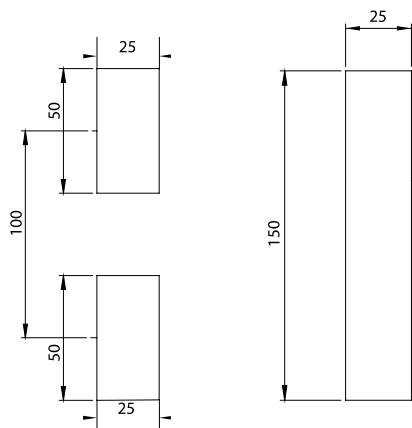
Rod Latch Systems

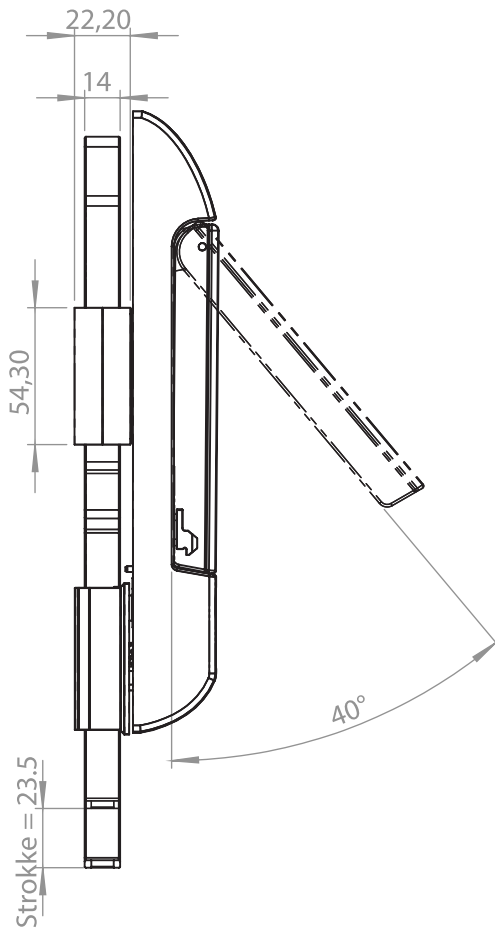
MK	Item Number
154	8154-000



Rod Latch Systems

Cut Out





2651 - Swinghandle

Profile Cylinder Type		Without Padlock	With Padlock
	Double Bit 3mm	2651-031-MK-XXX	2651-331MK-XXX
	Double Bit 5mm	2651-032MK-XXX	2651-332MK-XXX
	Triangular 7mm	2651-037MK-XXX	2651-337MK-XXX
	Triangular 8mm	2651-033MK-XXX	2651-333MK-XXX
	Triangular 9mm	2651-039MK-XXX	2651-339MK-XXX
	Square 7mm	2651-034MK-XXX	2651-334MK-XXX
	Square 8mm	2651-035MK-XXX	2651-335MK-XXX
	Slotted	2651-038MK-XXX	2651-338MK-XXX
	Keyed 3333	2651-013MK-XXX	2651-313MK-XXX
	Keyed Same	2651-017MK-XXX	2651-317MK-XXX
	Keyed Differ	2651-019MK-XXX	2651-319MK-XXX
	Keyed 3333 Pushlock	2651-713MK-XXX	2651-813MK-XXX
	Keyed Same Pushlock	2651-717MK-XXX	2651-817MK-XXX
	Keyed Differ Pushlock	2651-719MK-XXX	2651-819MK-XXX



Rod Latch Systems

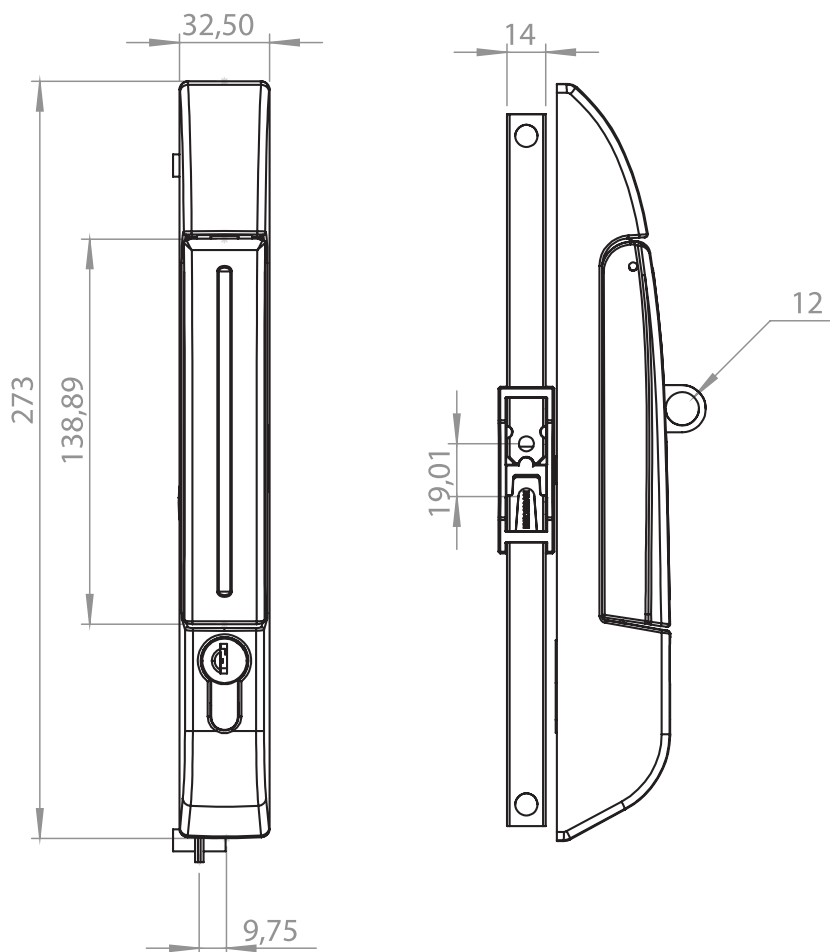
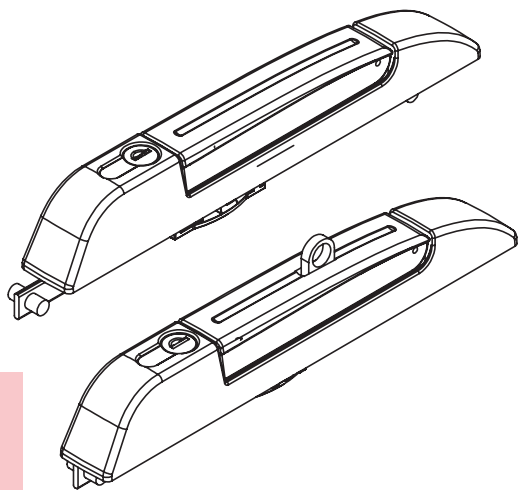
Material

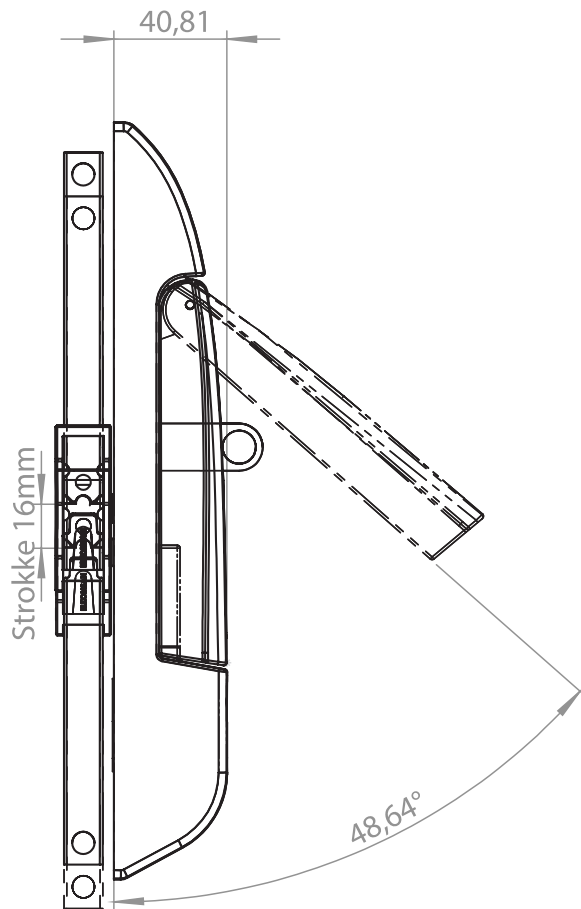
- Handle : Zinc Die, black coated
- Dish : PA Polyamide (PA6 GRR30) black
- Padlock Device : Stainless steel, AISI 304

Options

- Rod Latch
- Cam Adapter
- Cams
- Flat Rods
- Flat Rod Guides

IP 54 LH/RH





2752 - Swinghandle

Profile Cylinder Type		Without Padlock	With Padlock
	Double Bit 3mm	2752-031	2752-331
	Double Bit 5mm	2752-032	2752-332
	Triangular 7mm	2752-037	2752-337
	Triangular 8mm	2752-033	2752-333
	Triangular 9mm	2752-039	2752-339
	Square 7mm	2752-034	2752-334
	Square 8mm	2752-035	2752-335
	Slotted	2752-038	2752-338
	Keyed 3333	2752-013	2752-313
	Keyed Same	2752-017	2752-317
	Keyed Differ	2752-019	2752-319
	Keyed 3333 Pushlock	2752-713	2752-813
	Keyed Same Pushlock	2752-717	2752-817
	Keyed Differ Pushlock	2752-719	2752-819



Rod Latch Systems

Material

Handle : Zinc Die, black coated

Panel : Zinc Die, black coated

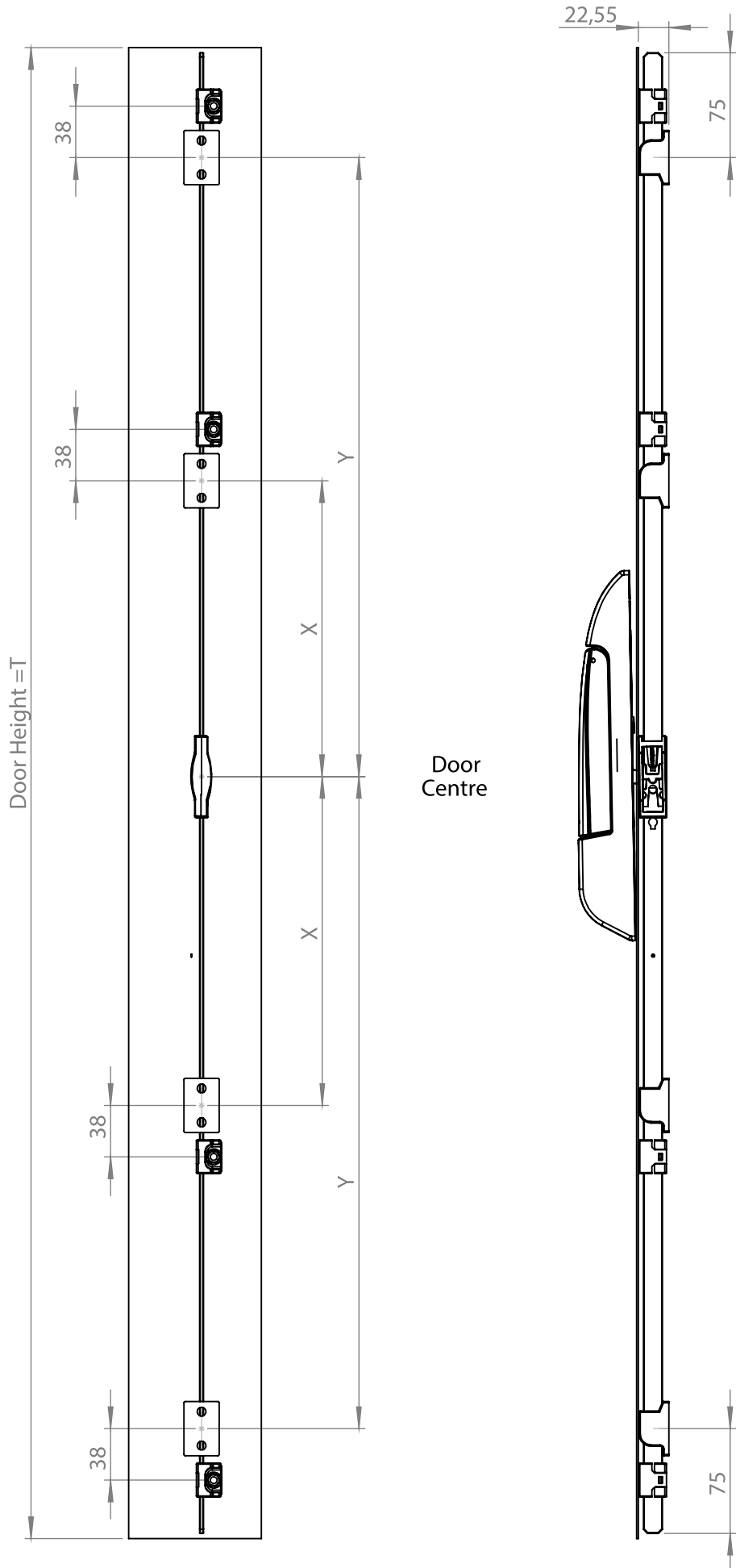
Padlock Device : Stainless steel, AISI 304

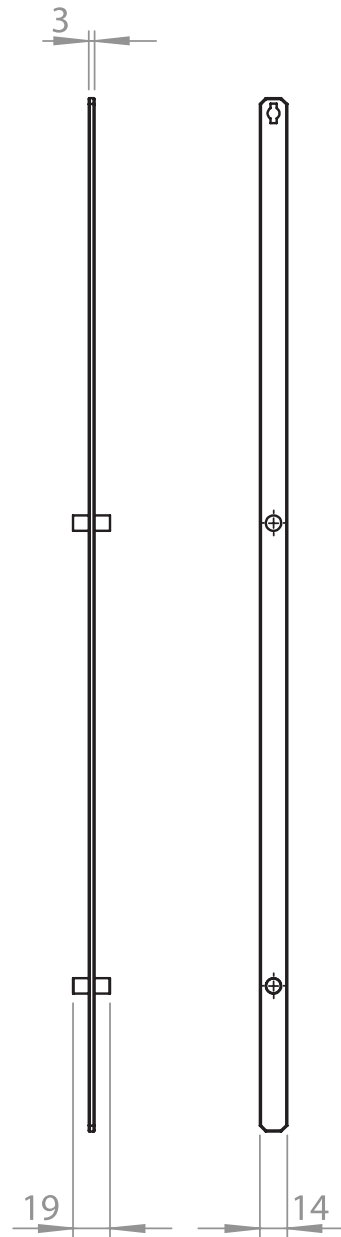
Options

Rods: The rods are designed according to the customer needs. Please contact with Elkomsan.

Rod Catchers

IP 40 LH/RH

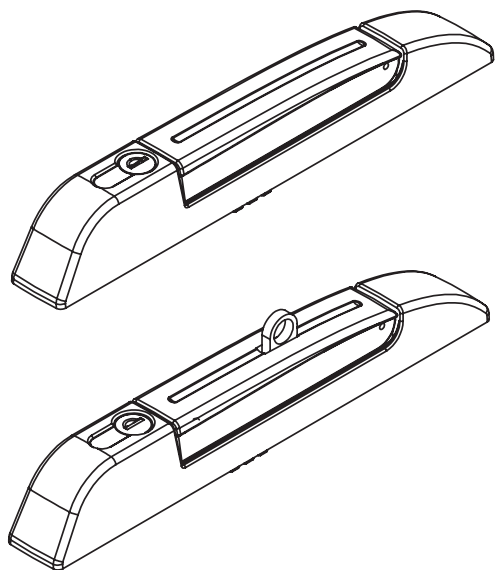




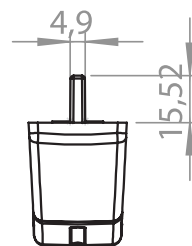
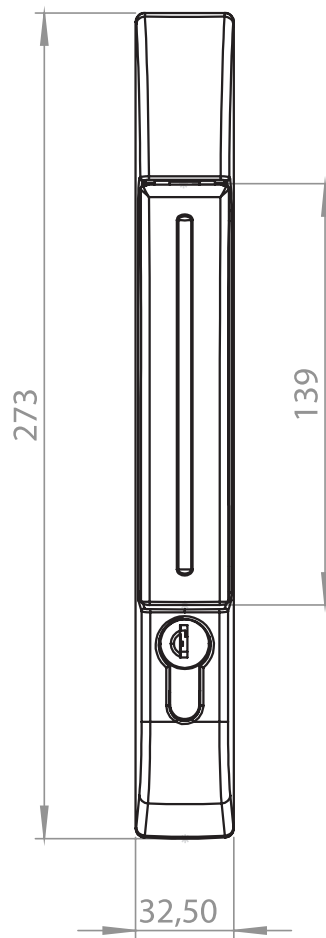
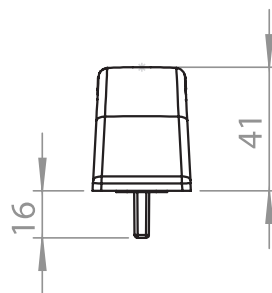
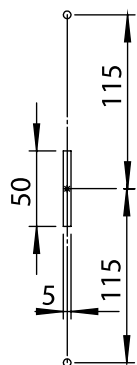
2752 - Four Point Locking System Rods

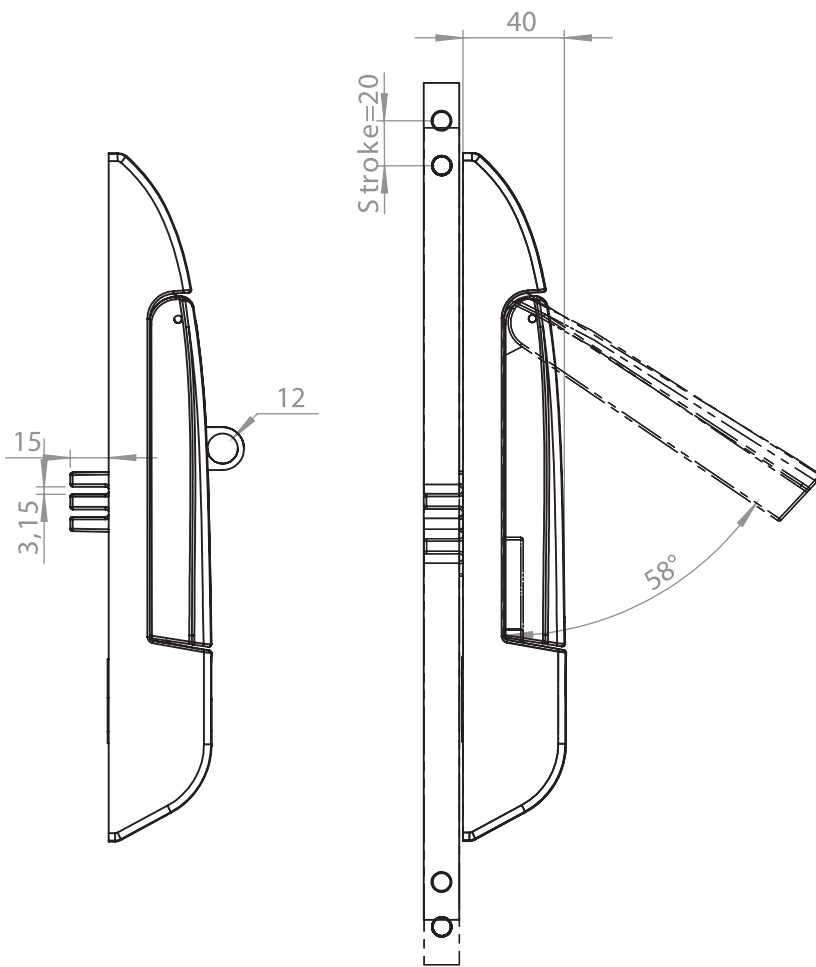
Door Height (Th)	Locking Points		Item Numbers
	X	Y	
800-1200	-	300	8408-300
1200-1600	-	450	8408-450
1600-1900	275	700	8408-700
1900-2200	275	850	8408-850

Rod Latch Systems



Cut Out





2753 - Swinghandle

Profile Cylinder Type		Without Padlock	With Padlock
	Double Bit 3mm	2753-031	2753-331
	Double Bit 5mm	2753-032	2753-332
	Triangular 7mm	2753-037	2753-337
	Triangular 8mm	2753-033	2753-333
	Triangular 9mm	2753-039	2753-339
	Square 7mm	2753-034	2753-334
	Square 8mm	2753-035	2753-335
	Slotted	2753-038	2753-338
	Keyed 3333	2753-013	2753-313
	Keyed Same	2753-017	2753-317
	Keyed Differ	2753-019	2753-319
	Keyed 3333 Pushlock	2753-713	2753-813
	Keyed Same Pushlock	2753-717	2753-817
	Keyed Differ Pushlock	2753-719	2753-819



Rod Latch Systems

Material

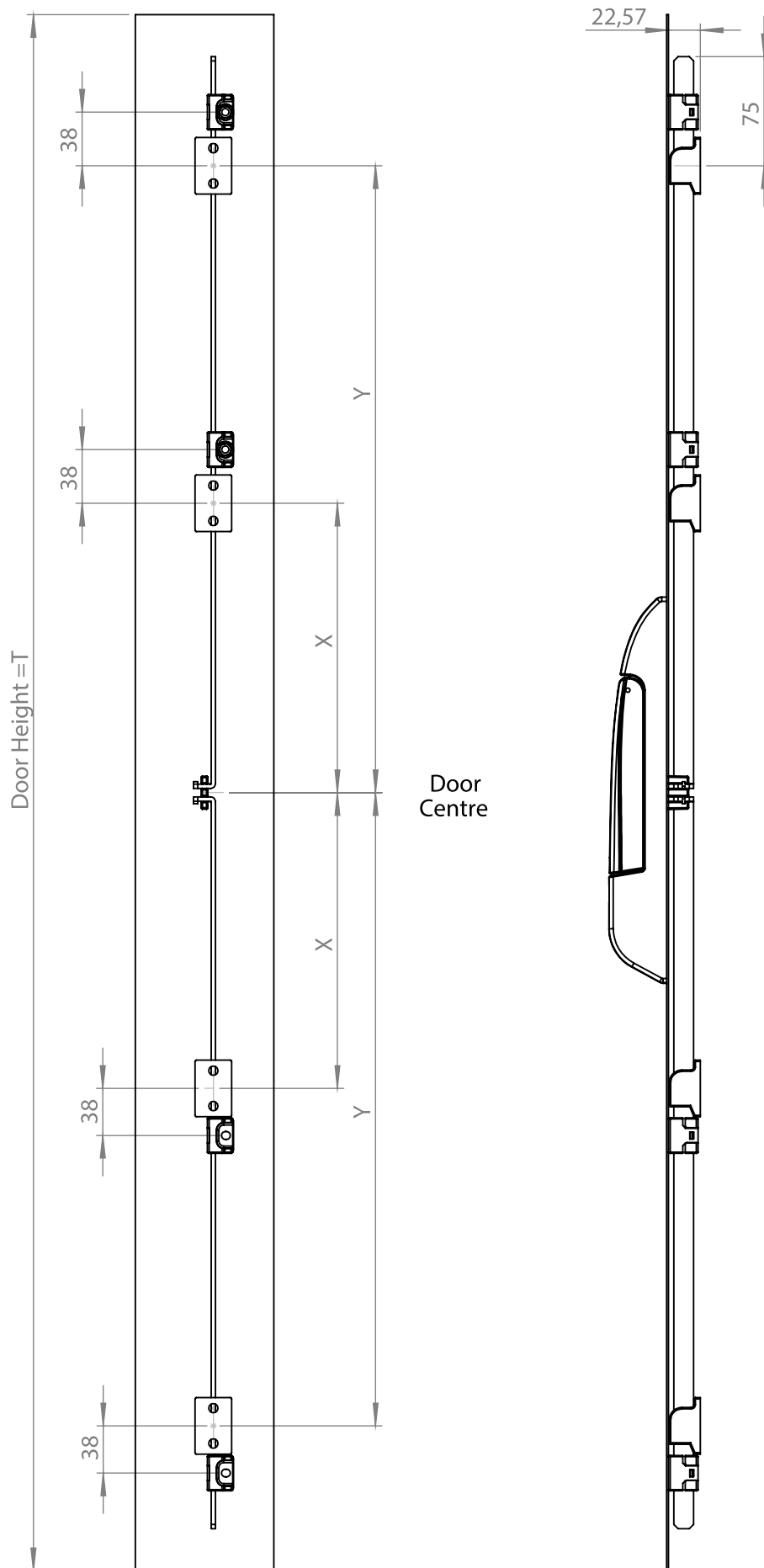
Handle : Zinc Die, black coated
 Dish : Zinc Die, black coated
 Padlock Device : Stainless steel, AISI 304

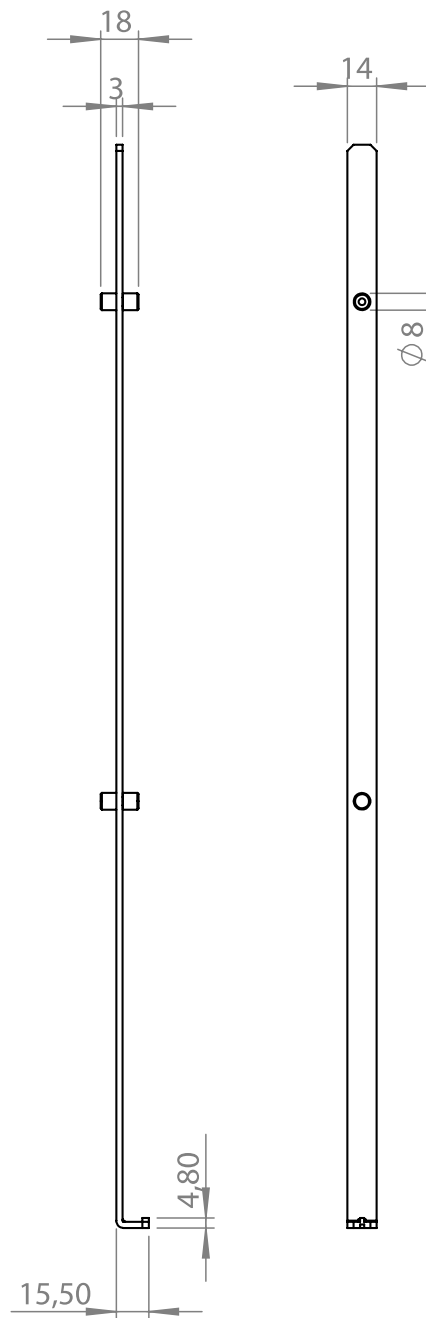
Options

Rods: The rods are designed according to the customer needs. Please contact with Elkomsan.

Rod Catchers

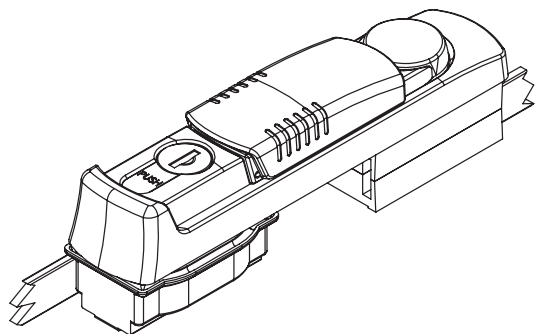
IP 40 Complete Metal LH/RH



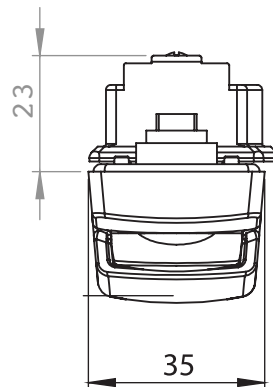
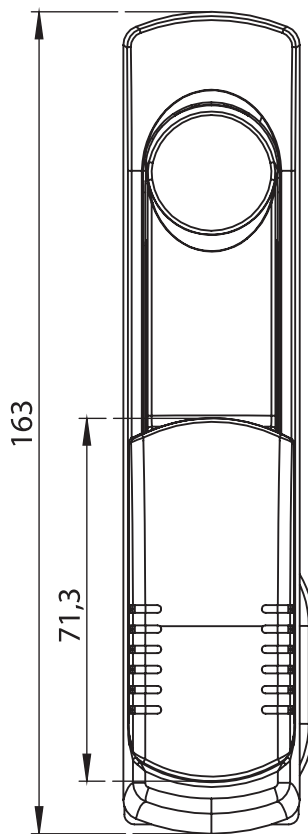
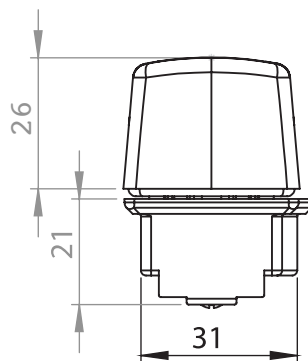


8404 - Four Point Locking System Rods

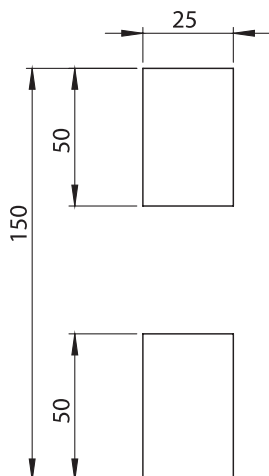
Door Height (Th)	Locking Points		Item Numbers
	X	Y	
800-1200	-	300	8404-300
1200-1600	-	450	8404-450
1600-1900	275	700	8404-700
1900-2200	275	850	8404-850

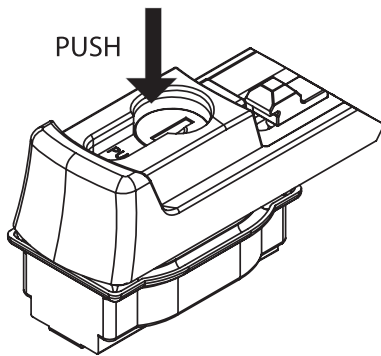
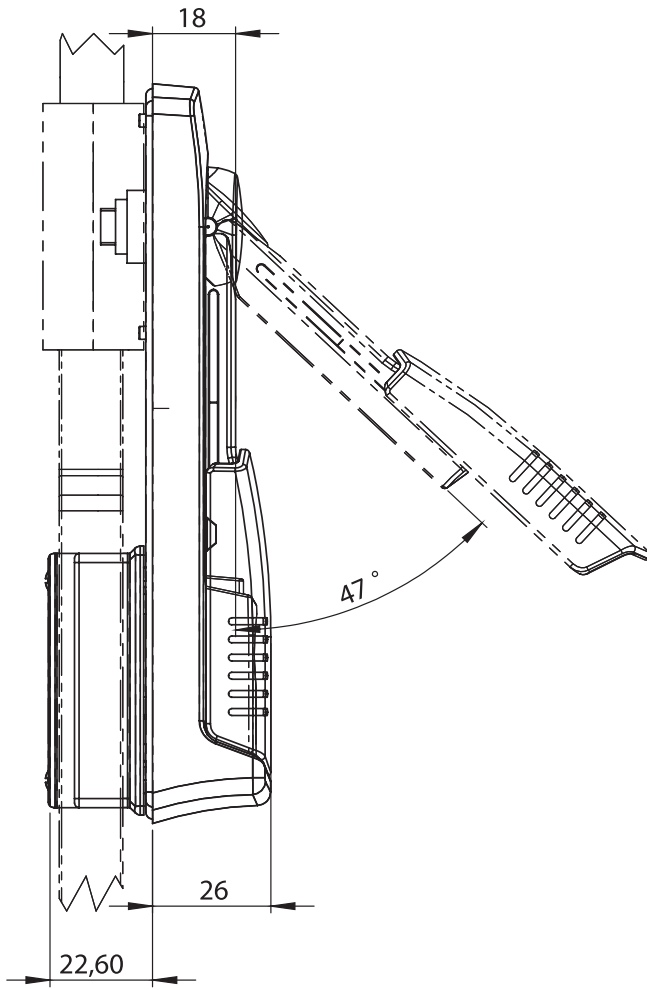


Rod Latch Systems



Cut Out





Rod Latch Systems

Material

Handle : Zinc Die, black coated or Polyamide (PA6 GFR30), black
Panel : Polyamide (PA6 GFR30), Siyah

Options

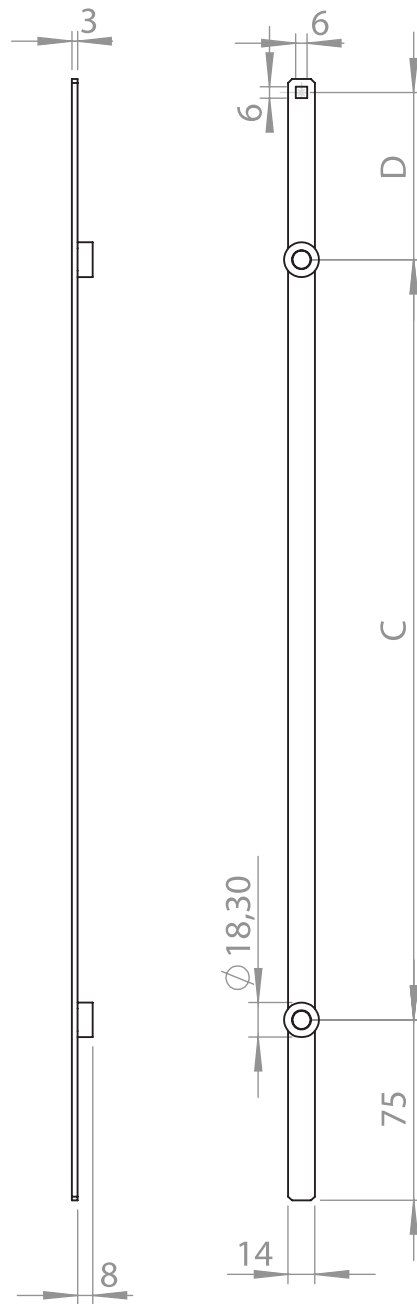
Rod Latches
 Flat Rods
 Rod Guides Cams

2303/2213 - Push Button Swinghandle

		Handle Zinc Die, Dish PA	Handle PA, Dish PA
	Non-Locking	2303-713-xxx	2213-713-xxx
	Keyed 3333	2303-717-xxx	2213-717-xxx
	Keyed Same	2303-719-xxx	2213-719-xxx

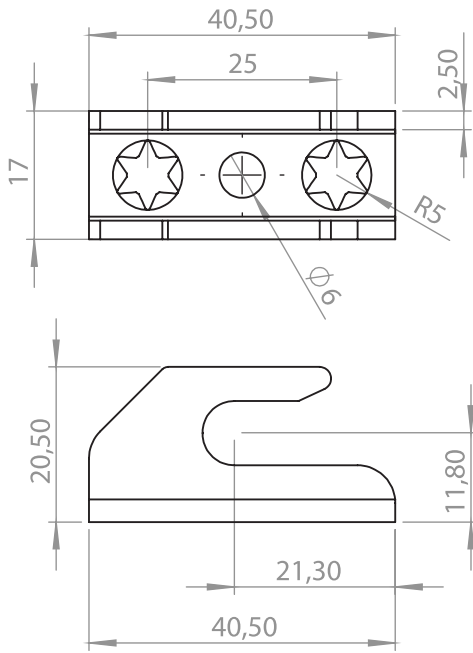
You may chose XXX section from cam tables.

IP 65 LH/RH RoHS

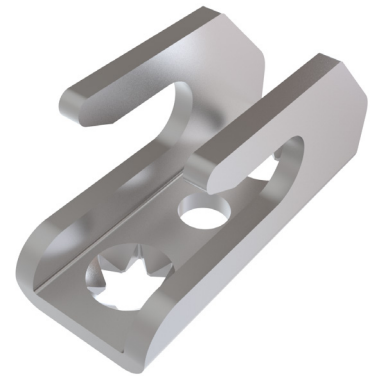


8407 - Four Point Locking System Rods

Door Height (Th)	Rods		Locking Points		Item Numbers
	A	B	X	Y	
800-1200	-	126,5	-	-	8408-300
1200-1600	-	276,5	-	-	8408-450
1600-1900	101,5	526,5	425	101,5	8408-700
1900-2200	101,5	676,5	575	101,5	8408-850

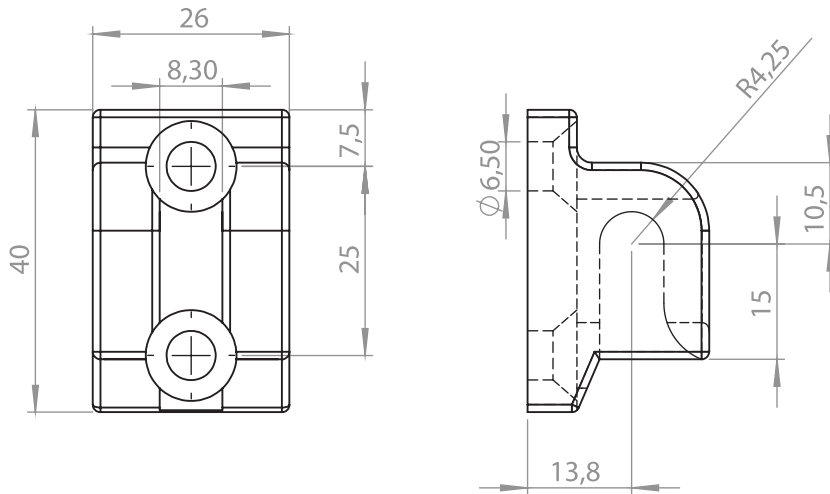


Item Number	8514-001
-------------	----------

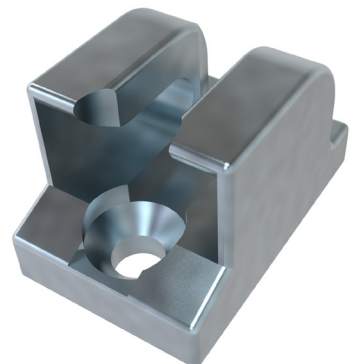


Material

Steel, zinc plated



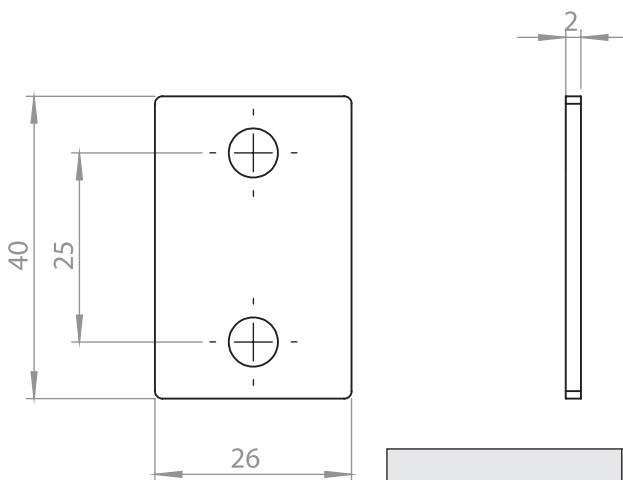
Item Number	8510-500
-------------	----------



8510-101 Roller Catcher

Material

Zinc die, Zinc Plated



Item Number	8515-210
-------------	----------



**8515-210 Roller Catcher
Increaser**

Material

Polyamide (PA GFR30), black