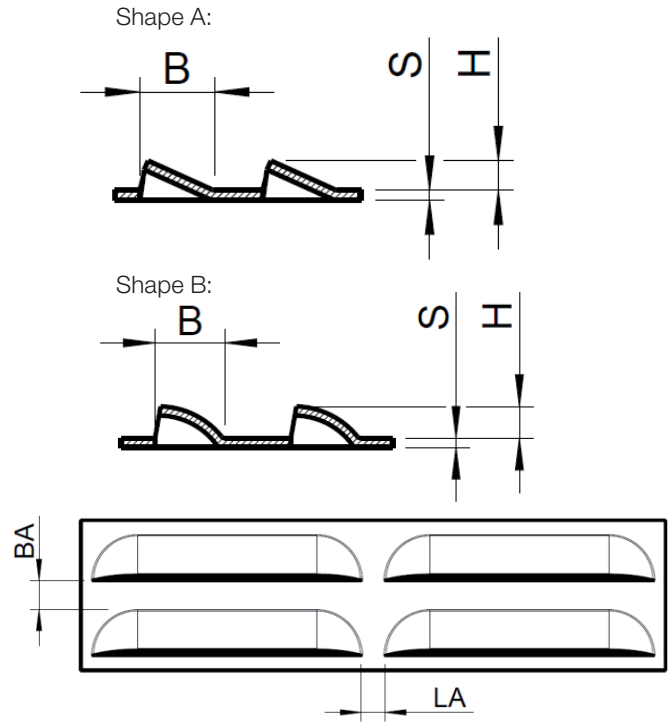


LOUVER TOOL



TRUMPF

THICK TURRET

SALVAGNINI

BASIC INFORMATION	
Material:	
Sheet thickness „s“:	
Machine:	
Size/station:	
Direction of forming:	upform <input type="checkbox"/>
	downform <input type="checkbox"/>
Customer information:	

TOOL INFORMATION IN MM	
L:	
H:	
B:	
LA:	
BA:	
Louver shape:	A <input type="checkbox"/>
	B <input type="checkbox"/>

Order_forms_Special_Tools 02/2017 Version 1.0