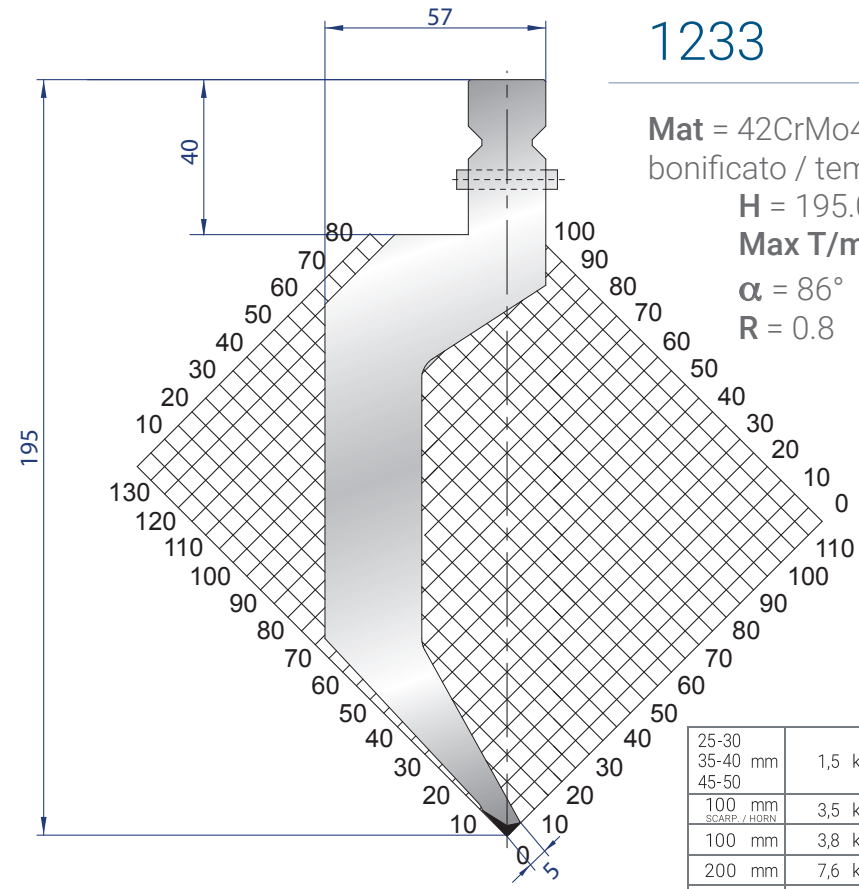


1294

Mat = 42CrMo4  
bonificato / tempered  
H = 220.00  
Max T/m = 85  
 $\alpha = 86^\circ$   
R = 1

↓  
SPINTA LATERALE  
SHOULDER LOAD

25-30	
35-40 mm	2,5 kg
45-50	
100 mm	6,0 kg
100 mm	6,4 kg
200 mm	12,8 kg
300 mm	19,2 kg
500 mm	32,0 kg
550 mm	35,2 kg
1050 mm	67,2 kg
1250 mm	80,0 kg
2050 mm	131,0 kg
2550 mm	163,2 kg
3050 mm	195,2 kg
4050 mm	259,2 kg

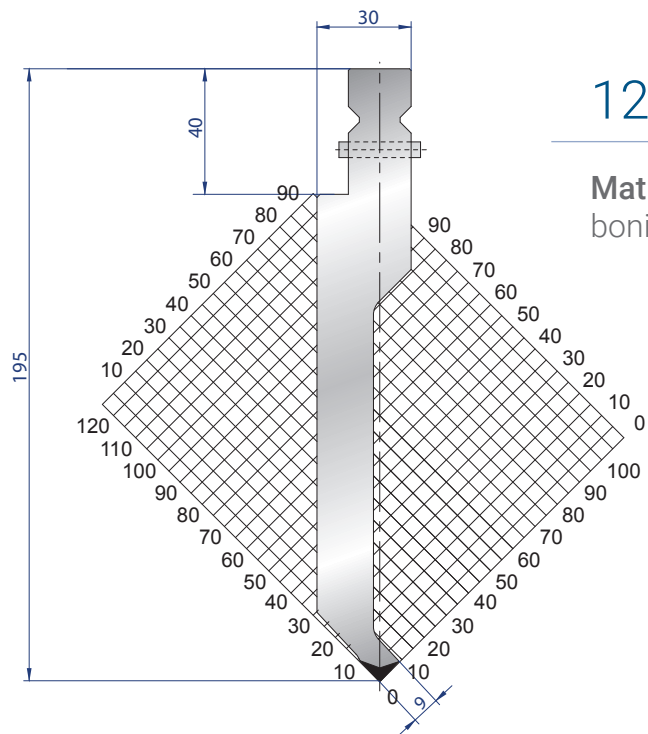


1233

Mat = 42CrMo4  
bonificato / tempered  
H = 195.00  
Max T/m = 40  
 $\alpha = 86^\circ$   
R = 0.8

25-30	
35-40 mm	1,5 kg
45-50	
100 mm	3,5 kg
100 mm	3,8 kg
200 mm	7,6 kg
300 mm	11,4 kg
500 mm	19,0 kg
550 mm	20,9 kg
1050 mm	39,9 kg
1250 mm	47,5 kg
2050 mm	77,9 kg
2550 mm	96,9 kg
3050 mm	115,9 kg
4050 mm	153,9 kg

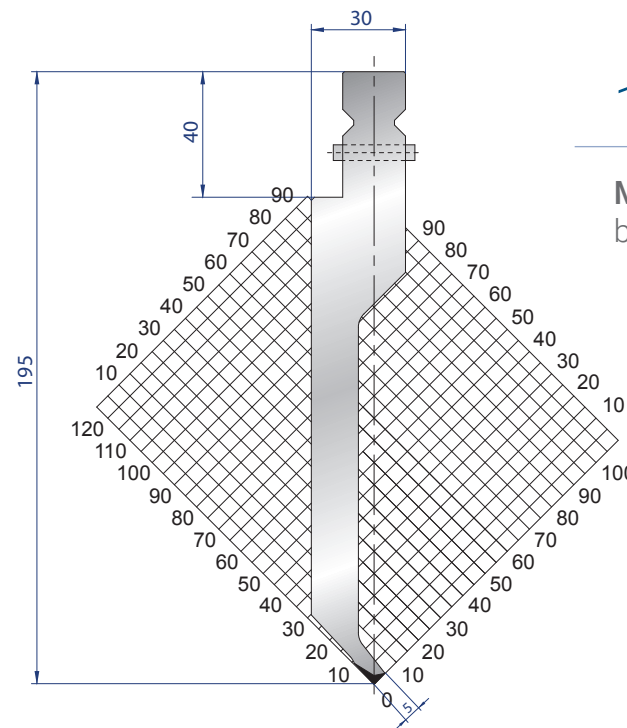




## 1235

**Mat** = 42CrMo4  
bonificato / tempered  
**H** = 195.00  
**Max T/m** = 100  
**α** = 86°  
**R** = 0.8

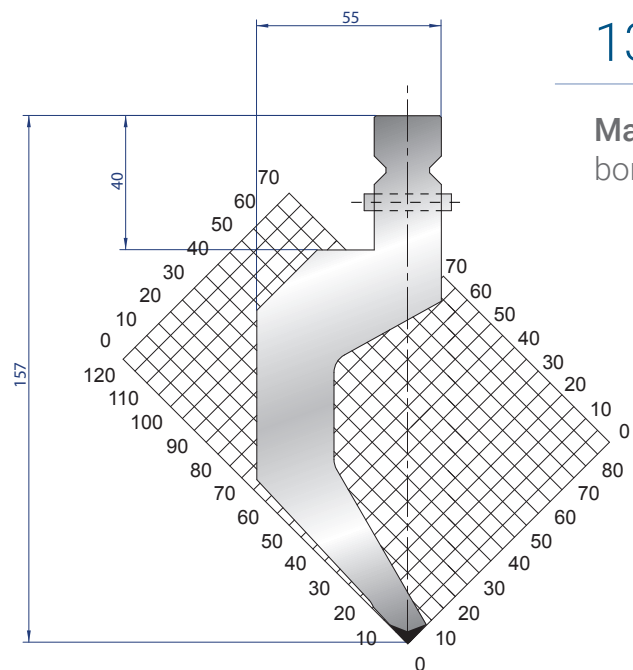
25-30	
35-40 mm	1,2 kg
45-50	
100 mm	2,7 kg
SCARP / HORN	
100 mm	3,0 kg
200 mm	6,0 kg
300 mm	9,0 kg
500 mm	15,0 kg
550 mm	16,5 kg
FRAZ. / SECT.	
1050 mm	31,5 kg
FRAZ. B / SECT. B	
1250 mm	37,5 kg
FRAZ. B / SECT. B	
2050 mm	61,5 kg
FRAZ. B / SECT. B	
2550 mm	76,5 kg
FRAZ. B / SECT. B	
3050 mm	91,5 kg
FRAZ. B / SECT. B	
4050 mm	121,5 kg
FRAZ. B / SECT. B	



## 1234

**Mat** = 42CrMo4  
bonificato / tempered  
**H** = 195.00  
**Max T/m** = 30  
**α** = 86°  
**R** = 0.6

25-30	
35-40 mm	1,1 kg
45-50	
100 mm	2,7 kg
SCARP / HORN	
100 mm	2,9 kg
200 mm	5,8 kg
300 mm	8,7 kg
500 mm	14,5 kg
550 mm	15,9 kg
FRAZ. / SECT.	
1050 mm	30,4 kg
FRAZ. B / SECT. B	
1250 mm	36,2 kg
FRAZ. B / SECT. B	
2050 mm	59,4 kg
FRAZ. B / SECT. B	
2550 mm	73,9 kg
FRAZ. B / SECT. B	
3050 mm	88,4 kg
FRAZ. B / SECT. B	
4050 mm	117,4 kg
FRAZ. B / SECT. B	

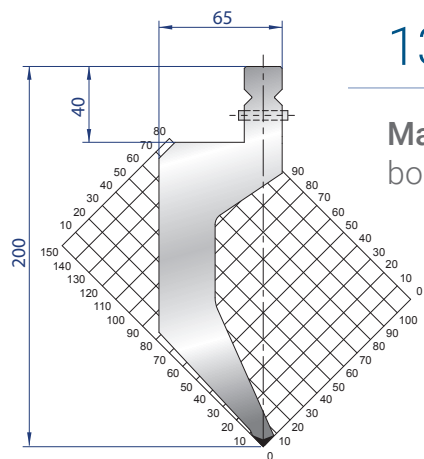


1314

**Mat** = 42CrMo4  
bonificato / tempered  
**H** = 157.00  
**Max T/m** = 65  
 **$\alpha$**  = 86°  
**R** = 1

25-30	
35-40 mm	1,2 kg
45-50	
100 mm	2,5 kg
SCARP. / HORN	
100 mm	3,0 kg
200 mm	6,0 kg
300 mm	9,0 kg
500 mm	15,0 kg
550 mm	16,5 kg
FRAZ. / SECT.	
1050 mm	31,5 kg
FRAZ. B / SECT. B	
1250 mm	37,5 kg
FRAZ. B / SECT. B	
2050 mm	kg
FRAZ. B / SECT. B	
2550 mm	76,5 kg
FRAZ. B / SECT. B	
3050 mm	91,5 kg
FRAZ. B / SECT. B	
4050 mm	121,5 kg
FRAZ. B / SECT. B	

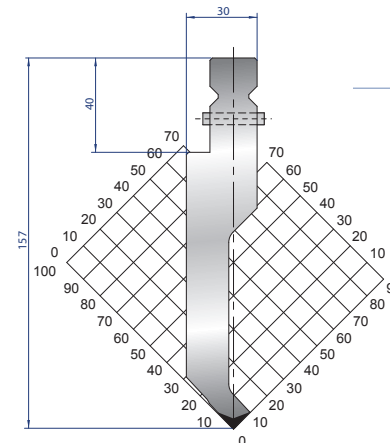




1320

**Mat** = 42CrMo4  
bonificato / tempered  
**H** = 200.00  
**Max T/m** = 100  
**α** = 86°  
**R** = 1.5

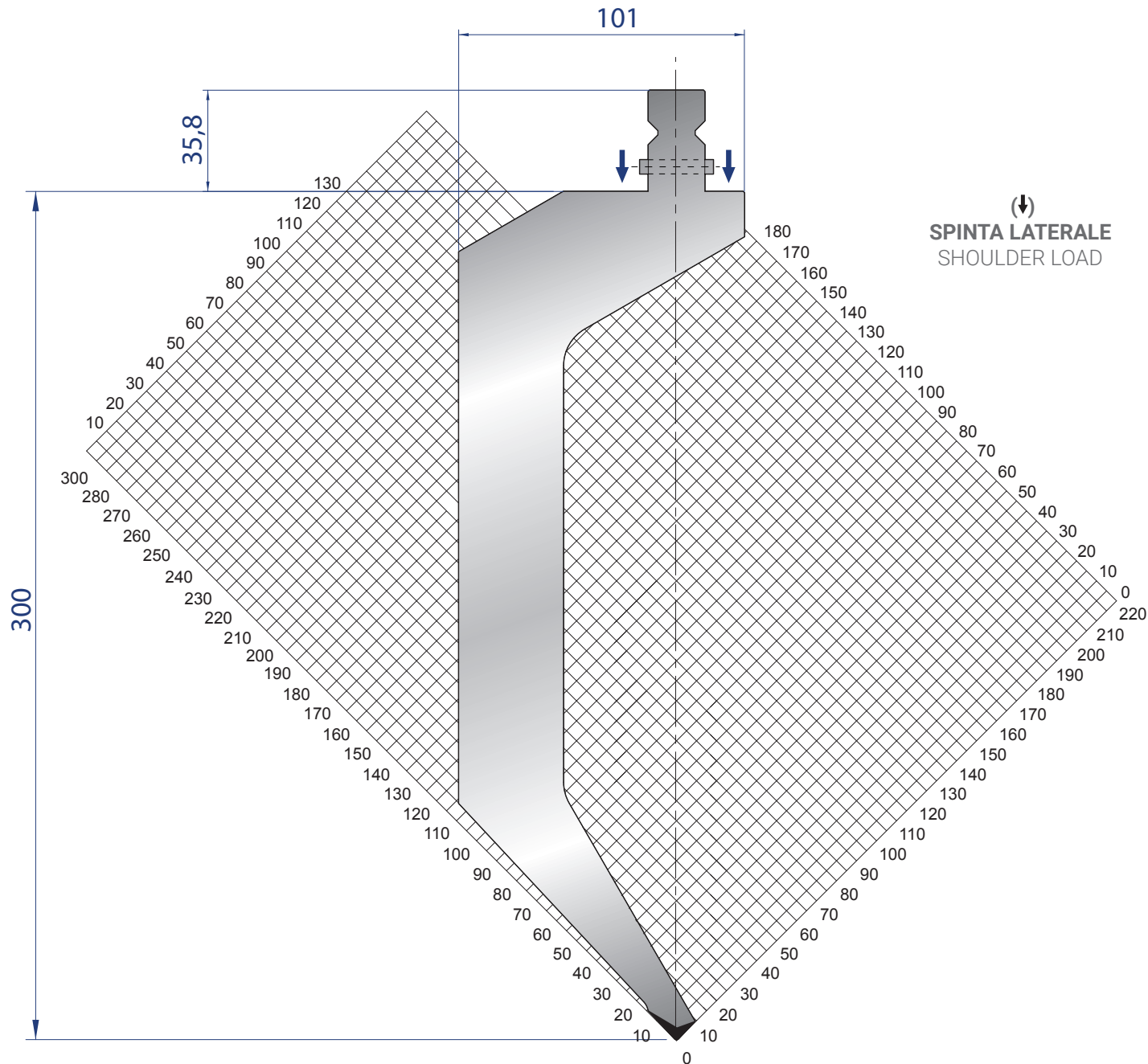
25-30	
35-40 mm	1,2 kg
45-50	
100 mm	2,8 kg
SCARP. / HORN	
100 mm	3,1 kg
200 mm	6,2 kg
300 mm	9,3 kg
500 mm	15,4 kg
550 mm	17,0 kg
FRAZ. / SECT.	
1050 mm	32,5 kg
FRAZ. B / SECT. B	
1250 mm	38,7 kg
FRAZ. B / SECT. B	
2050 mm	63,5 kg
FRAZ. B / SECT. B	
2550 mm	79,0 kg
FRAZ. B / SECT. B	
3050 mm	94,5 kg
FRAZ. B / SECT. B	
4050 mm	125,5 kg
FRAZ. B / SECT. B	



1317

**Mat** = 42CrMo4  
bonificato / tempered  
**H** = 157.00  
**Max T/m** = 100  
**α** = 86°  
**R** = 1

25-30	
35-40 mm	0,9 kg
45-50	
100 mm	2,0 kg
SCARP. / HORN	
100 mm	2,4 kg
200 mm	4,8 kg
300 mm	7,2 kg
500 mm	12,0 kg
550 mm	13,2 kg
FRAZ. / SECT.	
1050 mm	25,2 kg
FRAZ. B / SECT. B	
1250 mm	30,0 kg
FRAZ. B / SECT. B	
2050 mm	49,2 kg
FRAZ. B / SECT. B	
2550 mm	61,2 kg
FRAZ. B / SECT. B	
3050 mm	73,2 kg
FRAZ. B / SECT. B	
4050 mm	97,2 kg
FRAZ. B / SECT. B	



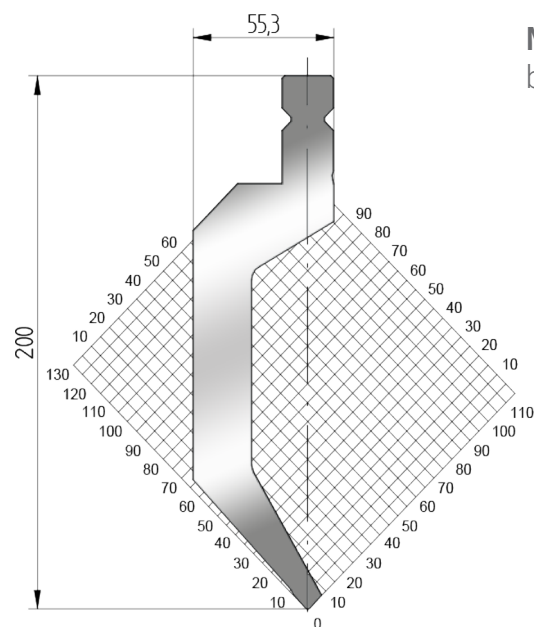
1315

Mat = 42CrMo4  
bonificato / tempered  
H = 300.00  
Max T/m = 80  
 $\alpha = 86^\circ$   
R = 1

25-30	
35-40 mm	3,9 kg
45-50	
100 mm	9,0 kg
100 mm	9,8 kg
200 mm	19,6 kg
550 mm	49,6 kg
1050 mm	102,9 kg
1250 mm	122,5 kg
2050 mm	200,9 kg
2550 mm	249,9 kg
3050 mm	298,9 kg
4050 mm	396,9 kg



1323



**Mat** = 42CrMo4  
bonificato / tempered

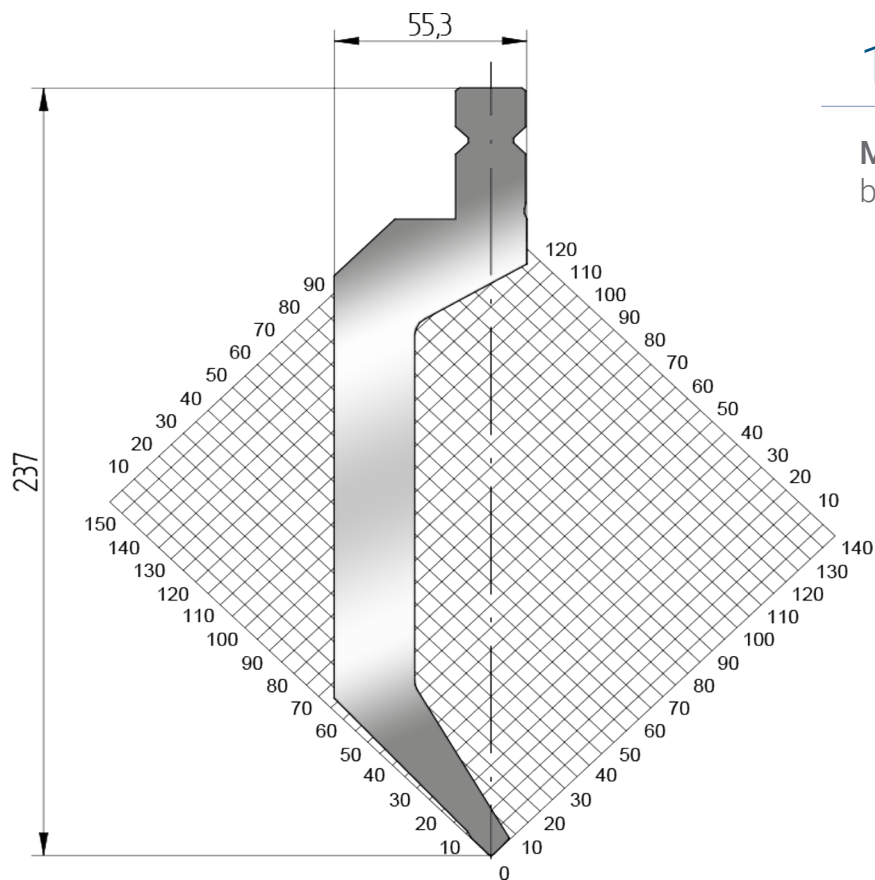
**H** = 200.00

**Max T/m** = 65

**$\alpha$**  = 86°

**R** = 1

515 mm	19,1 kg
550 mm FRAZ. / SECT.	19 kg



1324

**Mat** = 42CrMo4  
bonificato / tempered

**H** = 237.00

**Max T/m** = 86

**$\alpha$**  = 86°

**R** = 1

515 mm	22,5 kg
550 mm FRAZ. / SECT.	22,3 kg