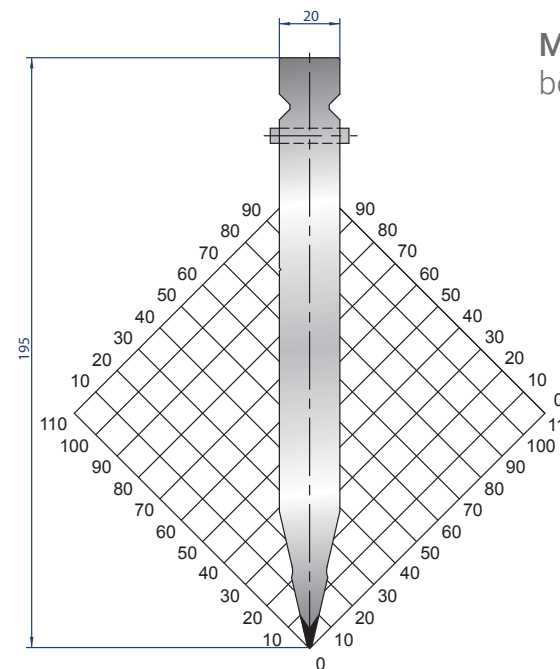


1316

Mat = 42CrMo4
 bonificato / tempered
H = 195.00
Max T/m = 100
 α = 26°
R = 0.8



25-30	1,0 kg
35-40	
45-50	
100 mm SCARP. / HORN	2,5 kg
100 mm	2,7 kg
200 mm	5,4 kg
300 mm	8,1 kg
500 mm	13,5 kg
550 mm FRAZ. / SECT. B	14,9 kg
1050 mm FRAZ. B / SECT. B	28,3 kg
1250 mm FRAZ. B / SECT. B	33,7 kg
2050 mm FRAZ. B / SECT. B	55,3 kg
2550 mm FRAZ. B / SECT. B	68,8 kg
3050 mm FRAZ. B / SECT. B	82,3 kg
4050 mm FRAZ. B / SECT. B	109,3 kg