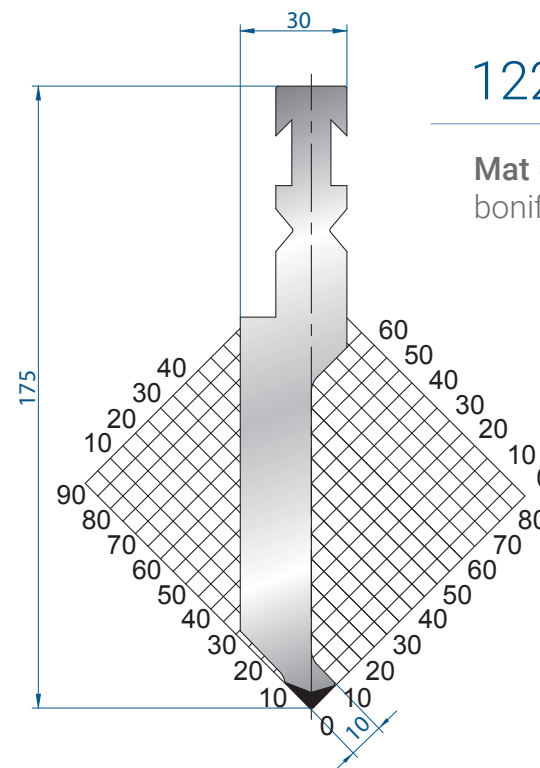


1227

**Mat** = C45  
bonificato / tempered  
**H** = 175.00  
**Max T/m** = 50  
**α** = 88°  
**R** = 1.5

1000 mm	33,0 kg
500 mm	16,0 kg
1100 mm FRAZ. / SECT.	33,0 kg
100 mm	3,2 kg



1229

**Mat** = C45  
bonificato / tempered  
**H** = 175.00  
**Max T/m** = 100  
**α** = 88°  
**R** = 1

1000 mm	26,0 kg
500 mm	13,0 kg
1100 mm FRAZ. / SECT.	26,0 kg
100 mm	2,6 kg