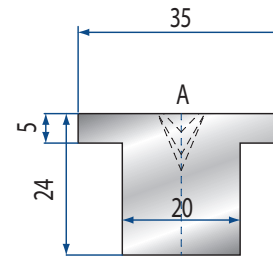


2112

835 mm	0,3 kg
415 mm	0,2 kg

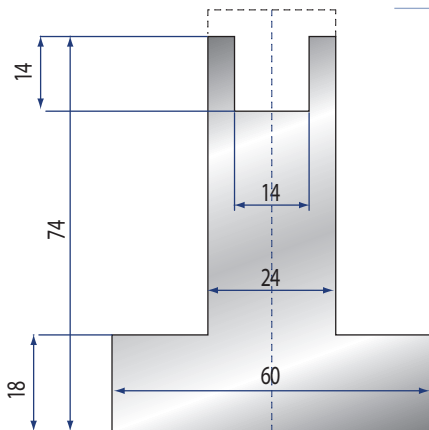
A	V		
88°	6	8	10
60°	6	8	10
45°	6	8	10
30°	6	8	



2113

835 mm	0,4 kg
415 mm	0,2 kg

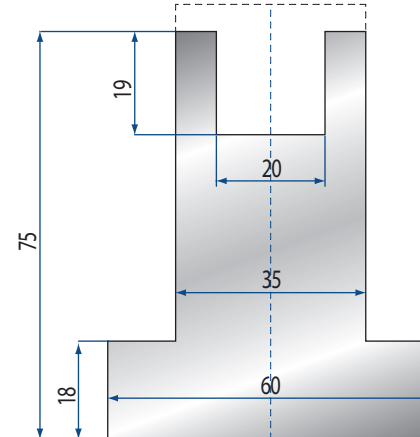
A	V				
88°	6	8	10	12	16
60°	6	8	10	12	16
45°	6	8	10	12	
30°	6	8	10		



2109

Amada

835 mm	15,0 kg
415 mm	7,0 kg



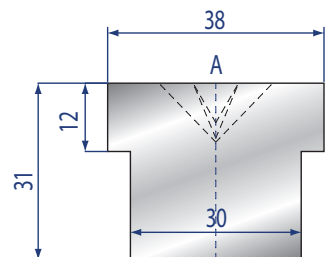
2110

Amada

835 mm	19,0 kg
415 mm	9,0 kg



2114



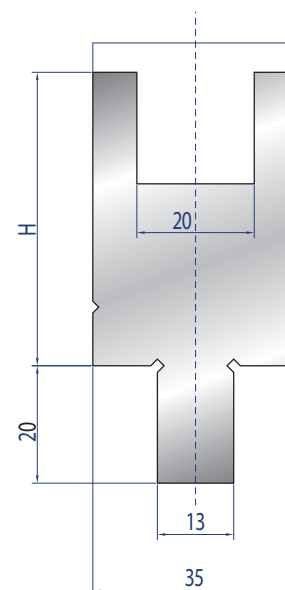
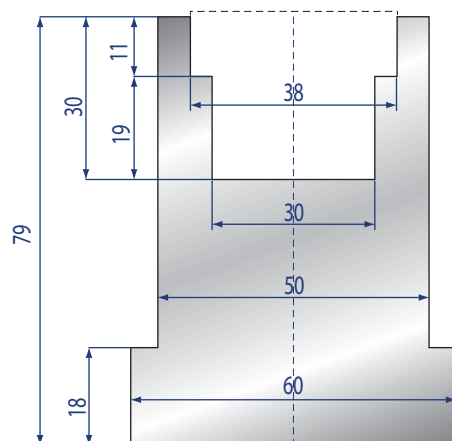
835 mm	0,4 kg
415 mm	0,2 kg

A	V						
88°	6	8	10	12	16	20	25
60°	6	8	10	12	16	20	
45°	6	8	10	12	16	20	
30°	6	8	10	12	16		

2111

Amada

835 mm	22,0 kg
415 mm	11,0 kg



2115

Bystronic / Trumpf / Wila

H = 50

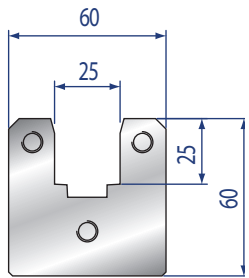
835 mm	11,0 kg
415 mm	5,0 kg

2116

Bystronic / Trumpf / Wila

H = 95

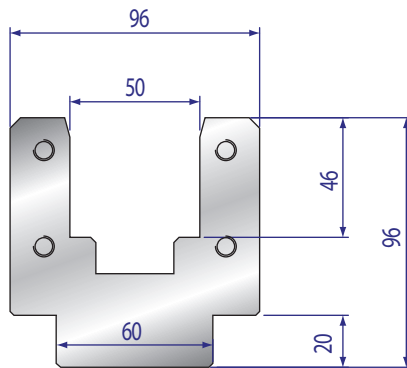
835 mm	19,0 kg
415 mm	9,0 kg



2036

Amada

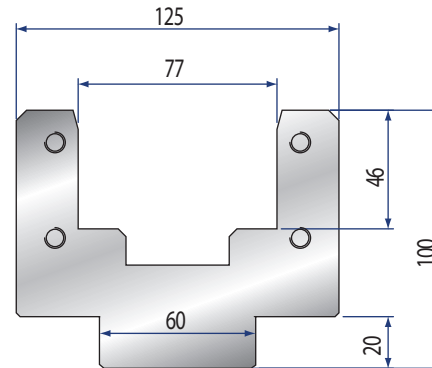
835 mm	19,0 kg
415 mm	9,0 kg



2037

Amada

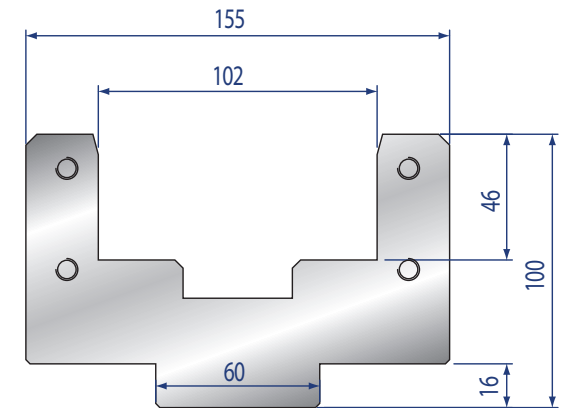
835 mm	37,0 kg
415 mm	18,0 kg



2038

Amada

835 mm	45,0 kg
415 mm	22,0 kg

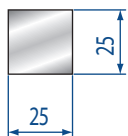


2040

Amada

835 mm	55,0 kg
415 mm	27,0 kg

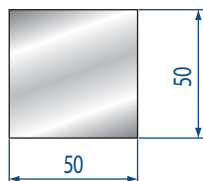




2101

92 Shore

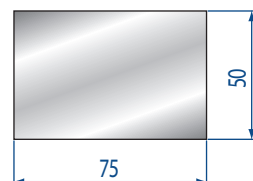
835 mm	0,7 kg
415 mm	0,3 kg



2102

92 Shore

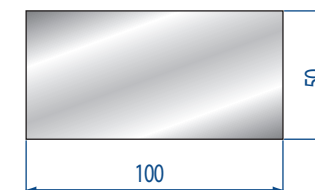
835 mm	2,5 kg
415 mm	1,0 kg



2103

92 Shore

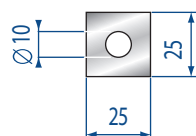
835 mm	3,5 kg
415 mm	1,0 kg



2104

92 Shore

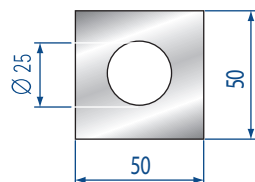
835 mm	5,0 kg
415 mm	2,0 kg



2105

92 Shore

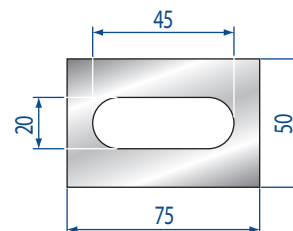
835 mm	0,6 kg
415 mm	0,3 kg



2106

92 Shore

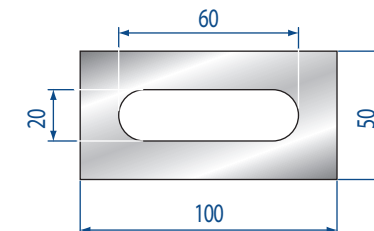
835 mm	2,2 kg
415 mm	1,0 kg



2107

92 Shore

835 mm	3,2 kg
415 mm	1,0 kg



2108

92 Shore

835 mm	4,5 kg
415 mm	2,0 kg