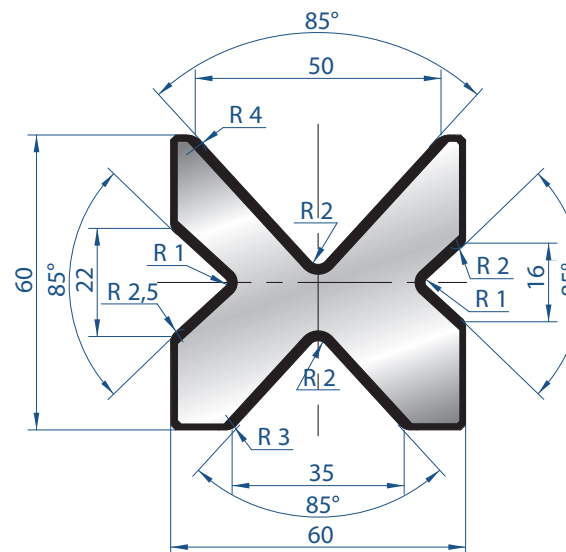


2030

Mat = C45
Max T/m = 80
 $\alpha = 85^\circ - 88^\circ$

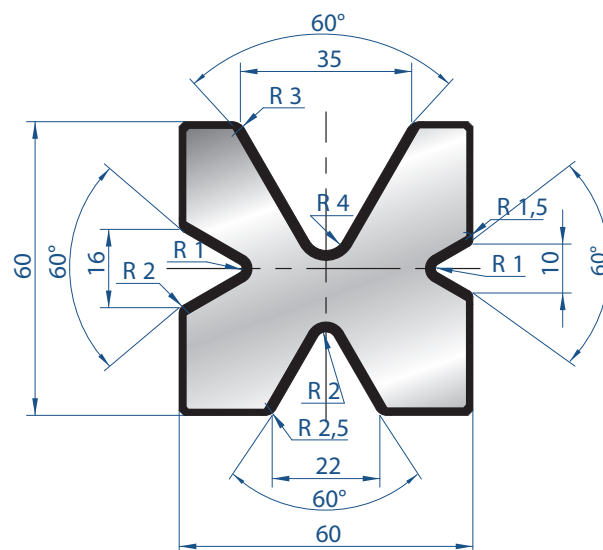
835 mm	16,0 kg
415 mm	8,0 kg
805 mm FRAZ. / SECT.	16,0 kg



2067

Mat = C45
Max T/m = 80
 $\alpha = 85^\circ$

835 mm	16,0 kg
415 mm	8,0 kg
805 mm FRAZ. / SECT.	16,0 kg



2034

Mat = C45
Max T/m = 60
 $\alpha = 60^\circ$

835 mm	18,0 kg
415 mm	9,0 kg
805 mm FRAZ. / SECT.	18,0 kg