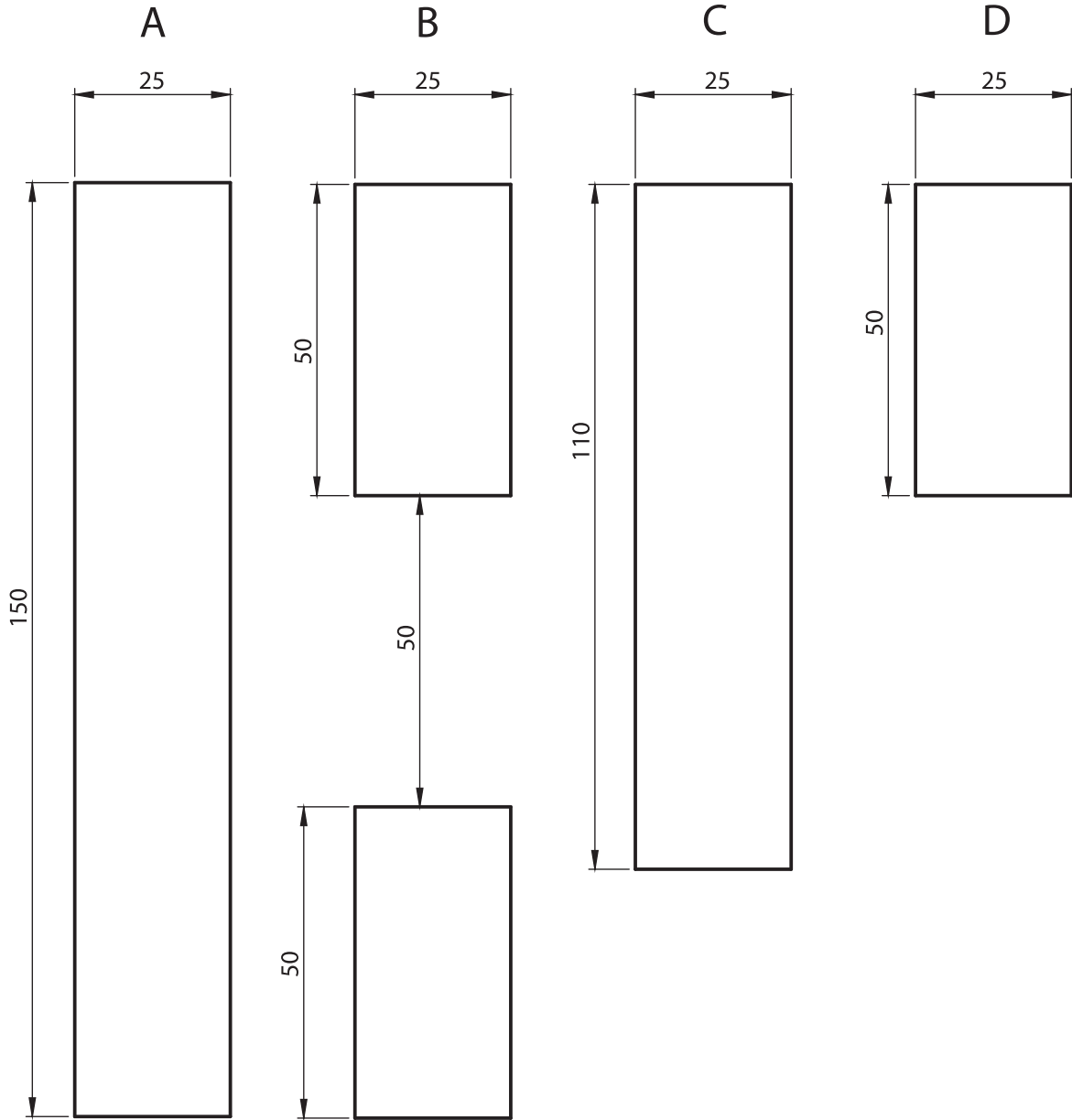


Cutouts

Swinghandles



Swinghandles Overview

Ürün Kodu	2209	2101	2104	2103	2302	2304	2102	2206	2214	2204	2205	2215	2207
													

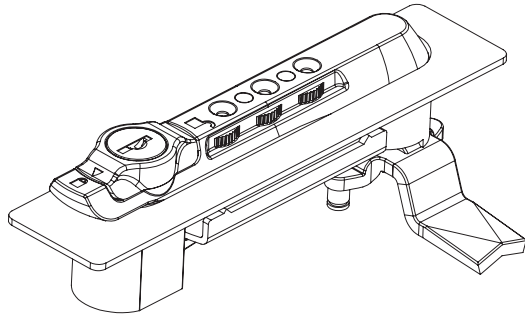
Housing Material	PA	Zinc Die	Zinc Die	Zinc Die	Zinc Die	Zinc Die	Zinc Die	PA	PA	PA	PA	PA	PA
Handle Material	PA	Zinc Die	Zinc Die	Zinc Die	PA	PA	Zinc Die	PA	PA	PA	PA	PA	PA

Cutout	A/B	A	A/B	A	A/B	A/B	C	A/B	A/B	A/B	A/B	A/B	A/B
--------	-----	---	-----	---	-----	-----	---	-----	-----	-----	-----	-----	-----

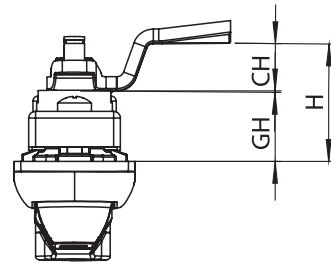
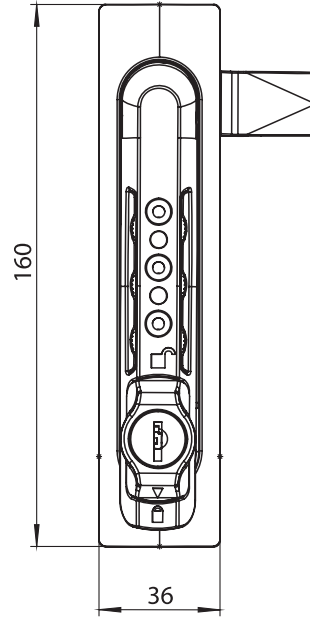
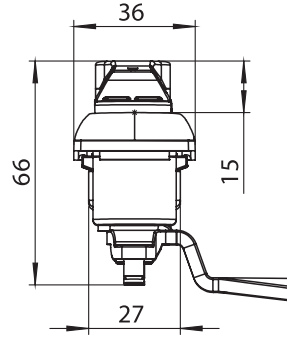
Options

Used with Inserts	-	-	+	+	+	-	-	+	-	-	+	-	+
Used with Cylinders	+	-	+	+	+	-	+	+	-	-	+	-	+
Used with Profile Cylinders	-	+	-	-	-	+	-	-	+	+	-	+	-
Dust Cover	-	+	-	-	+	+	-	+	+	+	+	+	-
Padlock Device	-	-	+	+	+	-	-	-	-	+	+	+	-

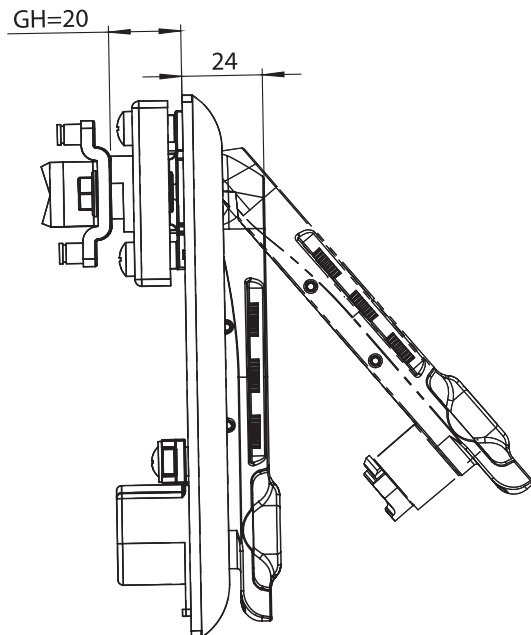
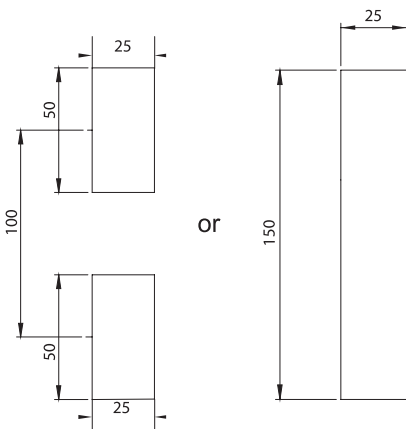
Page	50	52	54	56	58	60	62	64	66	68	70	72	74
------	----	----	----	----	----	----	----	----	----	----	----	----	----



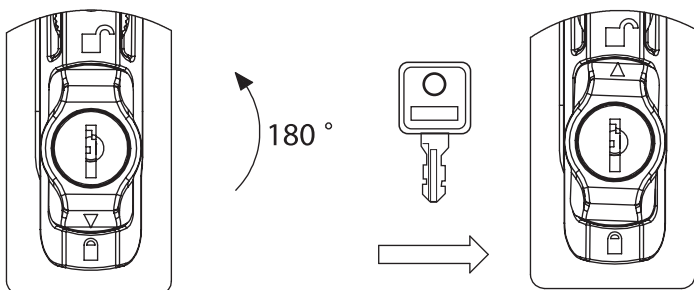
Swinghandles



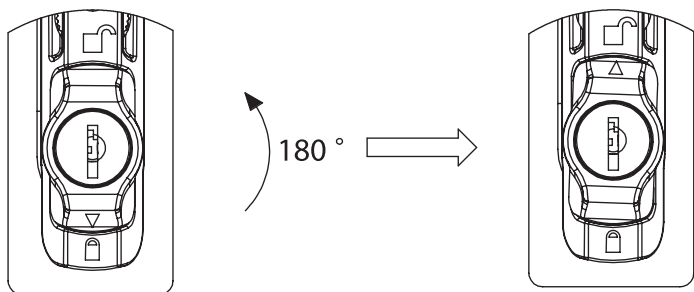
Cutout



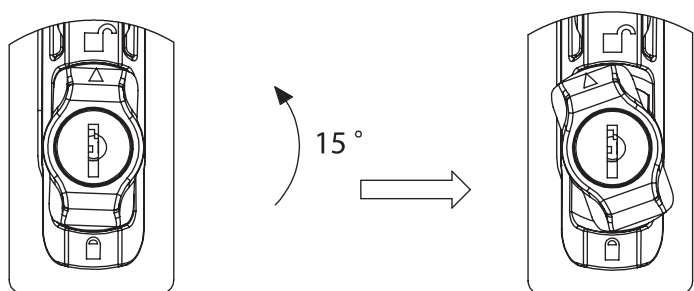
To change the pin code



To open the swinghandle with key



To open the swinghandle with code



To change the code, turn the knob 15°, enter the new code and close the knob again.



Swinghandles

Material

Handle : Poliamide (PA6 GFR30), black
Dish : Poliamide (PA6 GFR30), black
Cam : Steel, zinc plated

Options

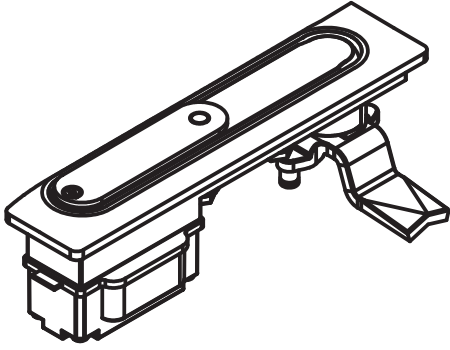
Cams : Page 84-85
Round Rods : Page 81
Rod Guides : Page 82

2209 - Combination Lock Swinghandle

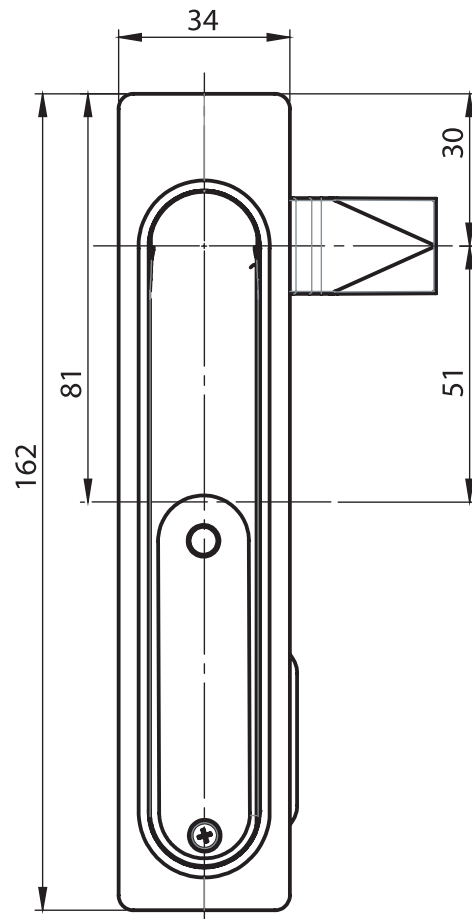
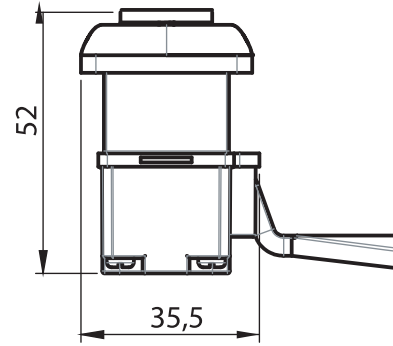
	Item Number
Combination locked and keyed 3333	2209 - 923 - XXX

You may chose the xxx section from cam tables

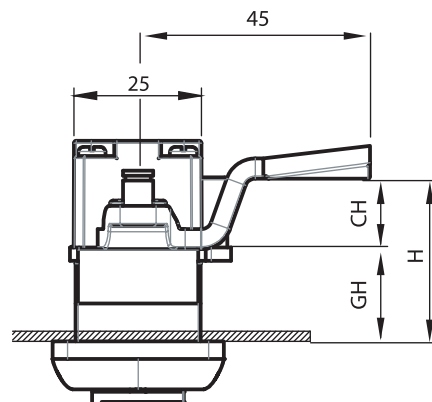
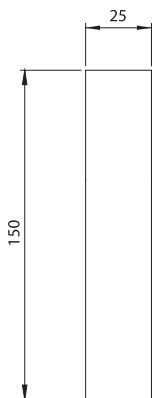


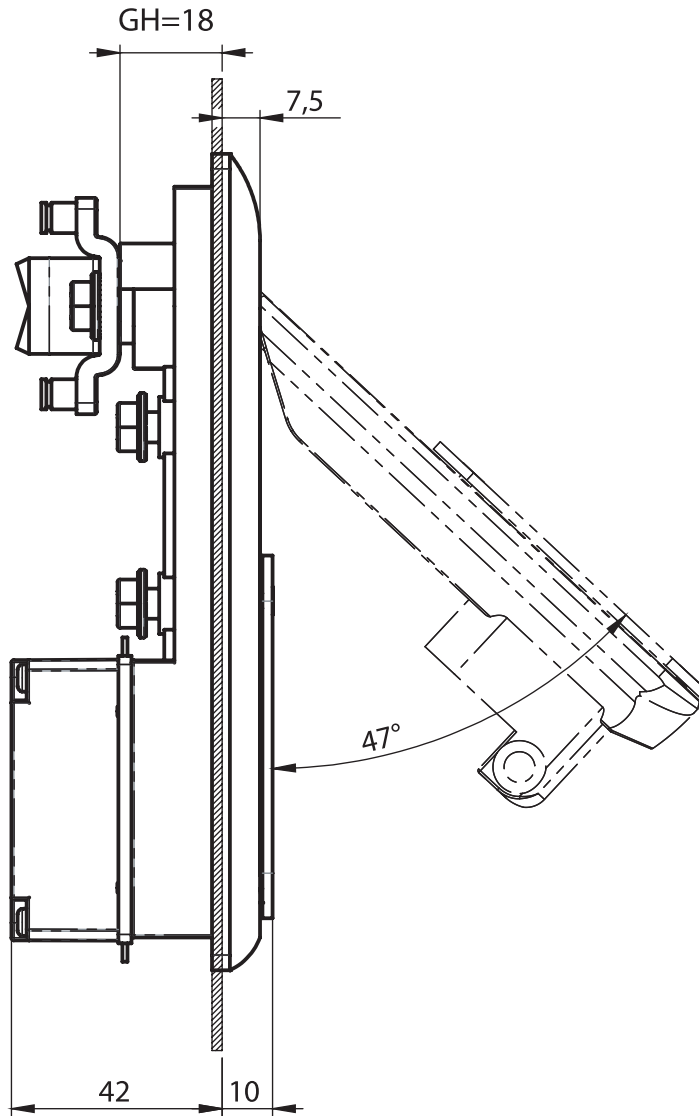


Swinghandles



Cutout





Swinghandles

Material

- Handle** : Zinc Die, black coated or chrome plated
- Dish** : Zinc Die, black coated or chrome plated
- Dust Cover** : Steel, black coated or chrome plated

Options

- Cams** : Page 84-85
- Round Rods** : Page 81
- Rod Guides** : Page 82

2101 - Swinghandle

Profile Cylinder Type		Without Dustcover	With Dustcover
	Double Bit 3 mm	2101 - 031 - xxx	2101 - 131 - xxx
	Double Bit 5 mm	2101 - 032 - xxx	2101 - 132 - xxx
	Triangular 7 mm	2101 - 037 - xxx	2101 - 137 - xxx
	Triangular 8 mm	2101 - 033 - xxx	2101 - 133 - xxx
	Triangular 9 mm	2101 - 039 - xxx	2101 - 139 - xxx
	Square 7 mm	2101 - 034 - xxx	2101 - 134 - xxx
	Square 8 mm	2101 - 035 - xxx	2101 - 135 - xxx
	Slotted	2101 - 038 - xxx	2101 - 138 - xxx
	Keyed 3333	2101 - 013 - xxx	2101 - 113 - xxx
	Keyed Same	2101 - 017 - xxx	2101 - 117 - xxx
	Keyed Differ	2101 - 019 - xxx	2101 - 119 - xxx
	Keyed Differ with Master Key	2101 - 018 - xxx	2101 - 118 - xxx

You may chose the xxx section from cam tables

Complete Plastic

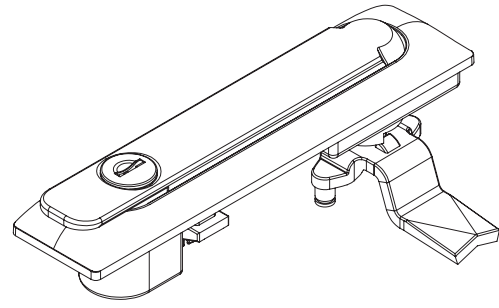
IP 65



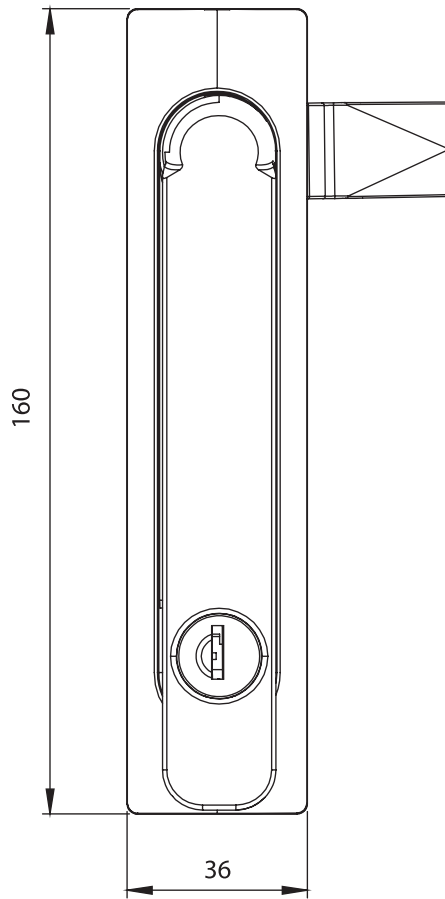
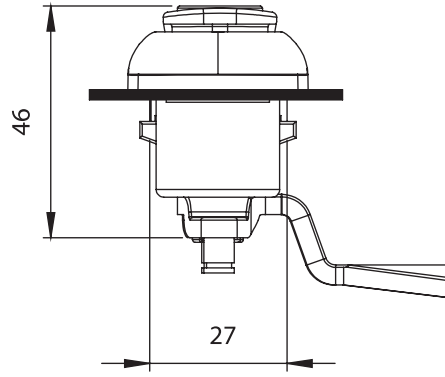
LH/RH



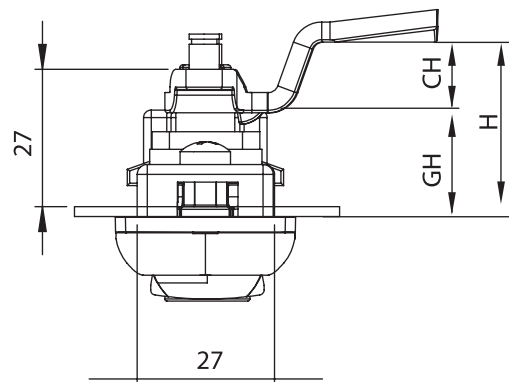
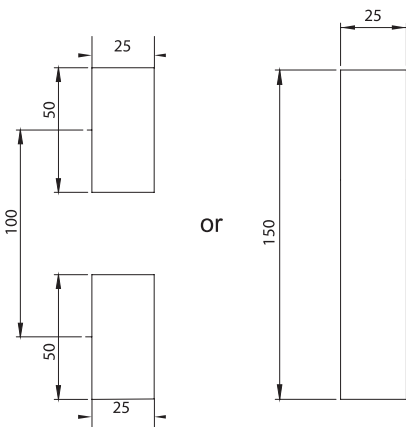
RoHS

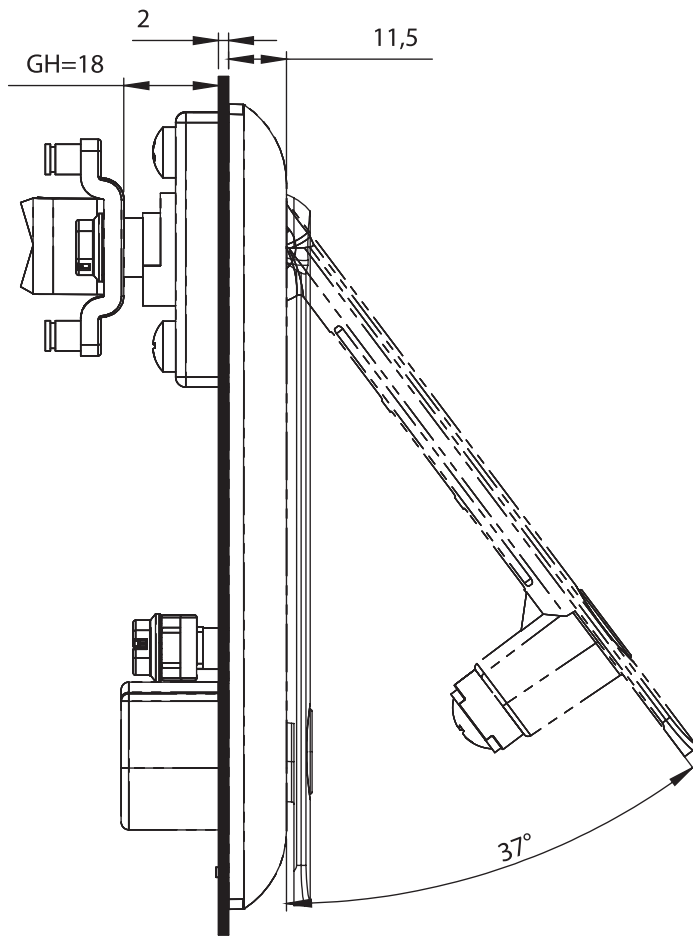


Swinghandles



Cutout





Swinghandles

Material

Handle : Zinc Die, black coated or chrome plated
Dish : Zinc Die, black coated or chrome plated
Padlock Device : Stainless Steel AISI 304

Options

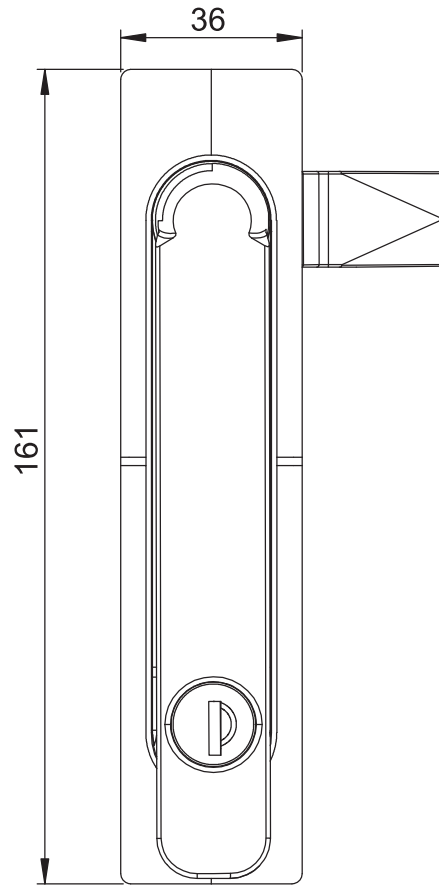
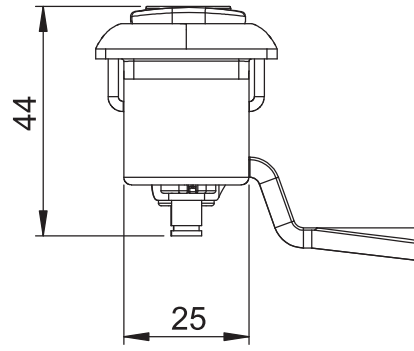
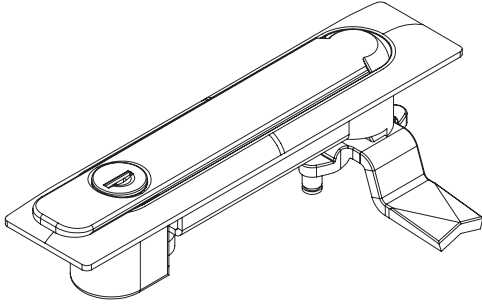
Cams : Page 84-85
Round Rods : Page 81
Rod Guides : Page 82

2104 - Swinghandle

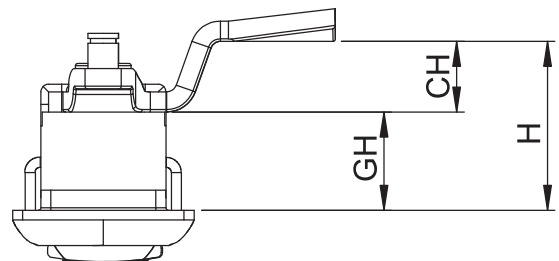
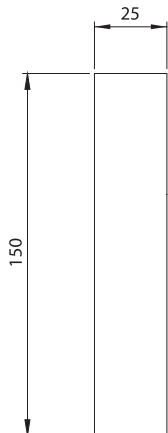
	Insert Types	Plain	Padlock Applicable
	Double Bit 3 mm	2104 - 041 - xxx	2104 - 341 - xxx
	Double Bit 5 mm	2104 - 042 - xxx	2104 - 342 - xxx
	Triangular 8 mm	2104 - 047 - xxx	2104 - 347 - xxx
	Triangular 8 mm	2104 - 043 - xxx	2104 - 343 - xxx
	Triangular 9 mm	2104 - 049 - xxx	2104 - 349 - xxx
	Square 7 mm	2104 - 044 - xxx	2104 - 344 - xxx
	Square 8 mm	2104 - 045 - xxx	2104 - 345 - xxx
	Slotted	2104 - 048 - xxx	2104 - 348 - xxx
	Keyed 3333	2104 - 023 - xxx	2104 - 323 - xxx
	Keyed Same	2104 - 027 - xxx	2104 - 327 - xxx
	Keyed Differ	2104 - 029 - xxx	2104 - 329 - xxx
	Keyed Differ with Master System	2104 - 028 - xxx	2104 - 328 - xxx

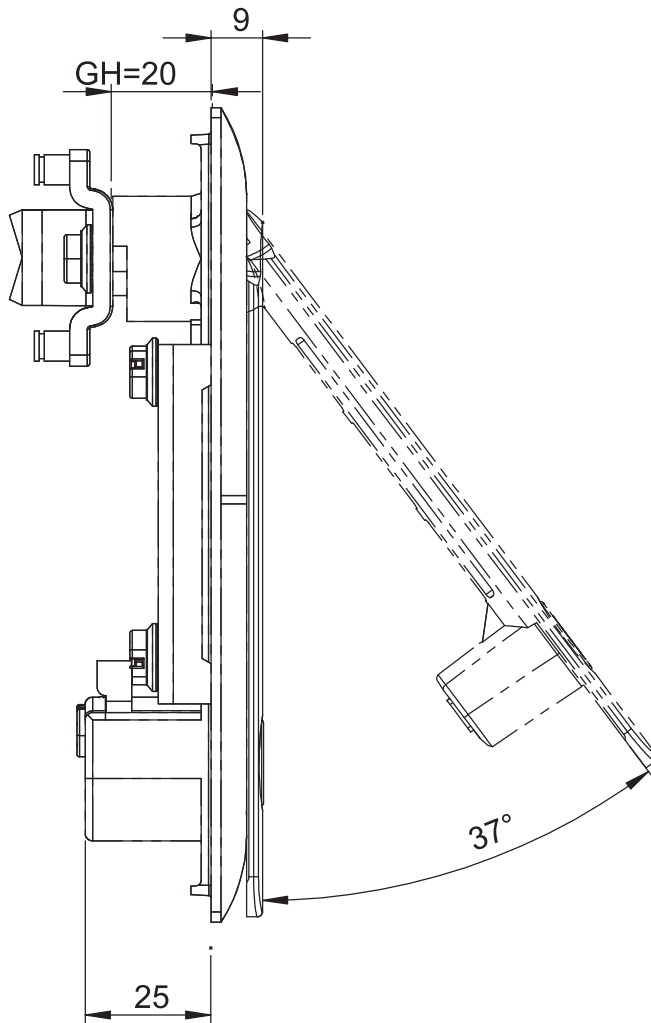
For chrome plated version, please use code 2124 instead of 2104.
 You may chose XXX section from cam tables.

Complete Metal	IP 65		LH/RH












Cutout





2103 - Swinghandle

	Insert Types	Plain	Padlock Applicable
	Double Bit 3 mm	2103 - 041 - xxx	2103 - 341 - xxx
	Double Bit 5 mm	2103 - 042 - xxx	2103 - 342 - xxx
	Triangular 8 mm	2103 - 047 - xxx	2103 - 347 - xxx
	Triangular 8 mm	2103 - 043 - xxx	2103 - 343 - xxx
	Triangular 9 mm	2103 - 049 - xxx	2103 - 349 - xxx
	Square 7 mm	2103 - 044 - xxx	2103 - 344 - xxx
	Square 8 mm	2103 - 045 - xxx	2103 - 345 - xxx
	Slotted	2103 - 048 - xxx	2103 - 348 - xxx
	Keyed 3333	2103 - 023 - xxx	2103 - 323 - xxx
	Keyed Same	2103 - 027 - xxx	2103 - 327 - xxx
	Keyed Differ	2103 - 029 - xxx	2103 - 329 - xxx
	Keyed Differ with Master System	2103 - 028 - xxx	2103 - 328 - xxx

For chrome plated version, please use code 2123 instead of 2103.
You may chose XXX section from cam tables.



Swinghandles

Material

Handle : Zinc Die, black coated or chrome plated
Dish : Zinc Die, black coated or chrome plated
Padlock Device : Stainless Steel AISI 304

Options

Cams : Page 84-85
Round Rods : Page 81
Rod Guides : Page 82

Complete Metal

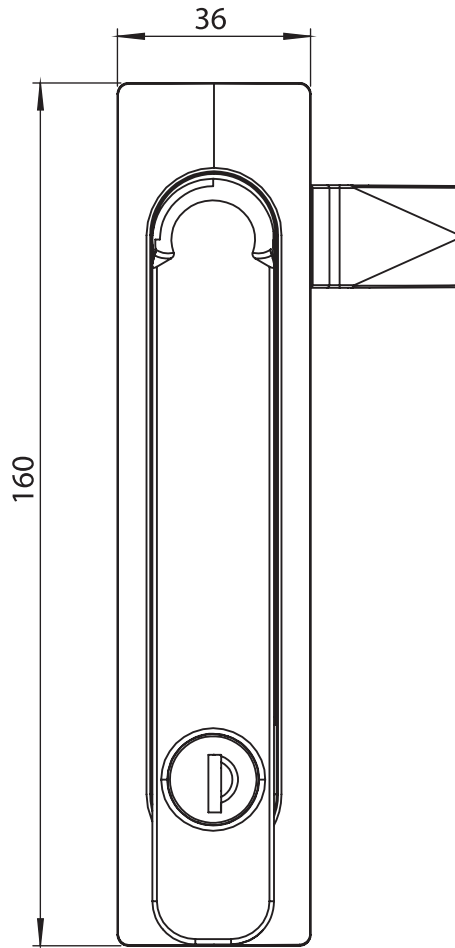
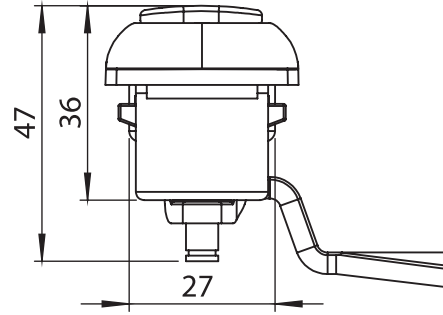
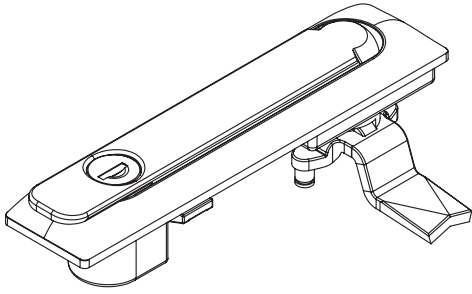
IP 65



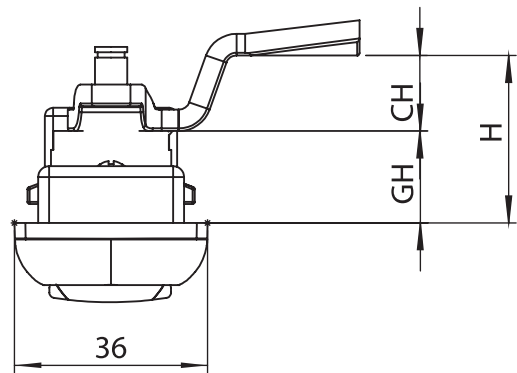
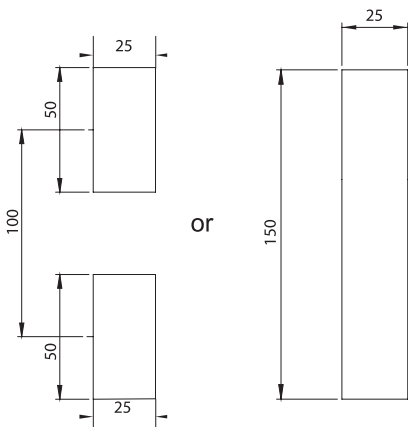
LH/RH

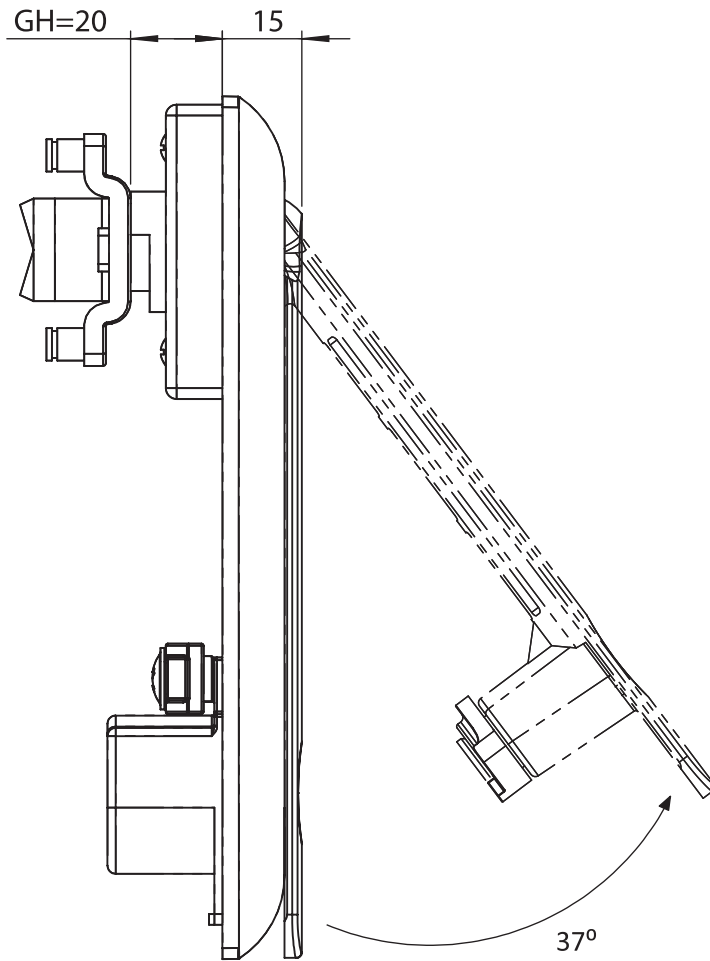


RoHS



Cutout





2302 - Swinghandle

	Insert Types	Plain	Padlock Applicable
	Double Bit 3 mm	2302 - 041 - xxx	2302 - 341 - xxx
	Double Bit 5 mm	2302 - 042 - xxx	2302 - 342 - xxx
	Triangular 8 mm	2302 - 047 - xxx	2302 - 347 - xxx
	Triangular 8 mm	2302 - 043 - xxx	2302 - 343 - xxx
	Triangular 9 mm	2302 - 049 - xxx	2302 - 349 - xxx
	Square 7 mm	2302 - 044 - xxx	2302 - 344 - xxx
	Square 8 mm	2302 - 045 - xxx	2302 - 345 - xxx
	Slotted	2302 - 048 - xxx	2302 - 348 - xxx
	Keyed 3333	2302 - 023 - xxx	2302 - 323 - xxx
	Keyed Same	2302 - 027 - xxx	2302 - 327 - xxx
	Keyed Differ	2302 - 029 - xxx	2302 - 329 - xxx
	Keyed Differ with Master System	2302 - 028 - xxx	2302 - 328 - xxx

You may chose XXX section from cam tables



Swinghandles

Material

- Handle** : Zinc Die, black coated
- Dish** : Poliamide (PA6 GFR30), black
- Padlock Device** : Stainless Steel, AISI 304

Options

- Cams** : Page 84-85
- Round Rods** : Page 81
- Rod Guides** : Page 82

IP 65

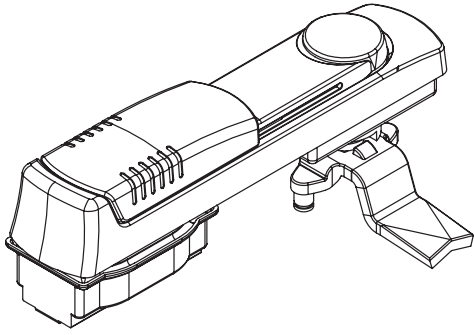


LH/RH

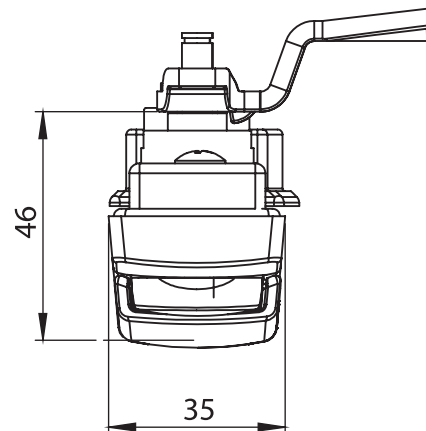
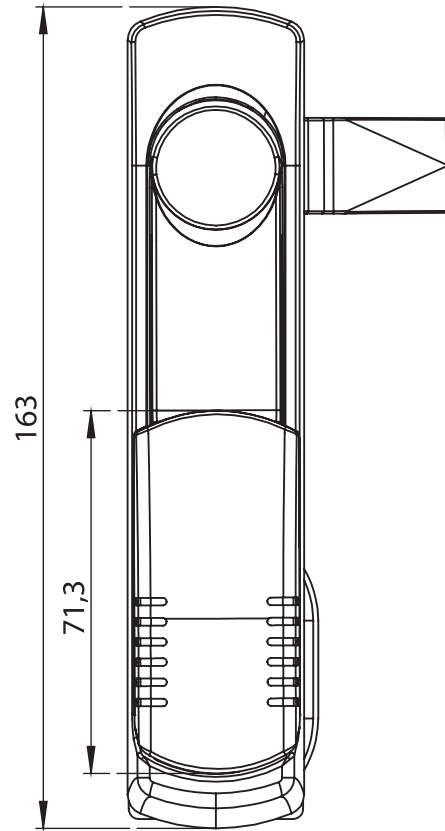
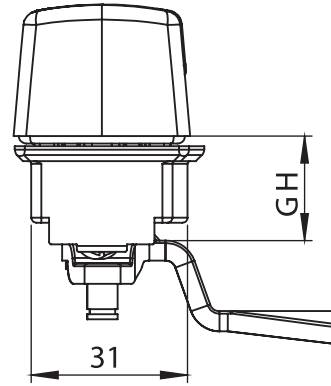
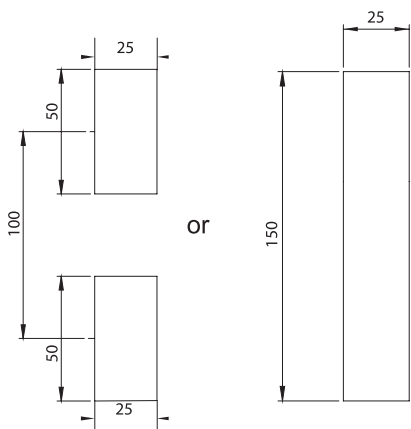


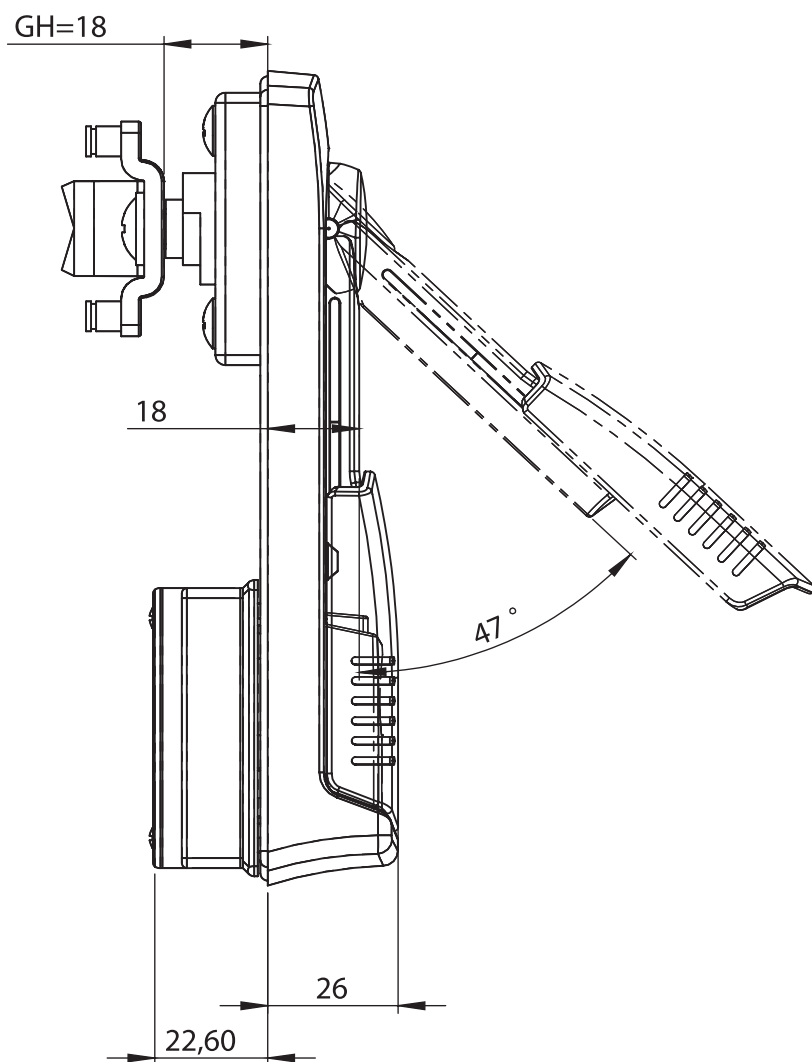
RoHS





Cutout





Swinghandles

2304 - Swinghandle

Type of Profile Cylinder		
	Double Bit 3 mm	2304 - 031 - xxx
	Double Bit 5 mm	2304 - 032 - xxx
	Triangular 8 mm	2304 - 037 - xxx
	Triangular 8 mm	2304 - 033 - xxx
	Triangular 9 mm	2304 - 039 - xxx
	Square 7 mm	2304 - 034 - xxx
	Square 8 mm	2304 - 035 - xxx
	Slotted	2304 - 038 - xxx

	Keyed 3333	2304 - 013 - xxx
	Keyed Same	2304 - 017 - xxx
	Keyed Differ	2304 - 019 - xxx
	Keyed Differ with Master System	2304 - 018 - xxx

You may chose XXX section from cam tables

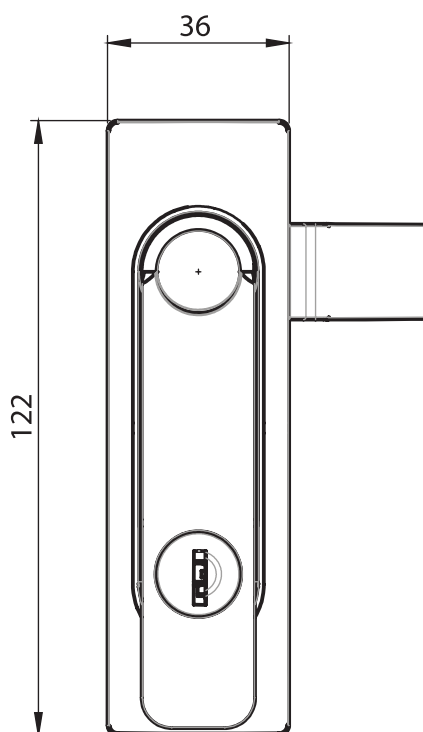
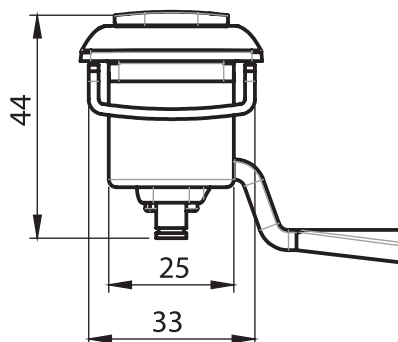
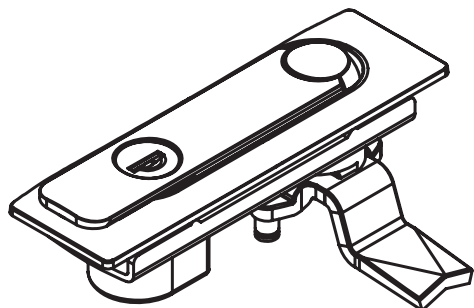
Material

- Handle** : Zinc Die, black coated
- Dish** : Poliamide (PA6 GFR30), black
- Sliding Cover** : Poliamide (PA6 GFR30), black

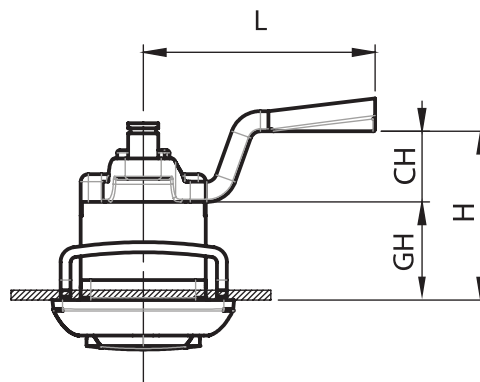
Options

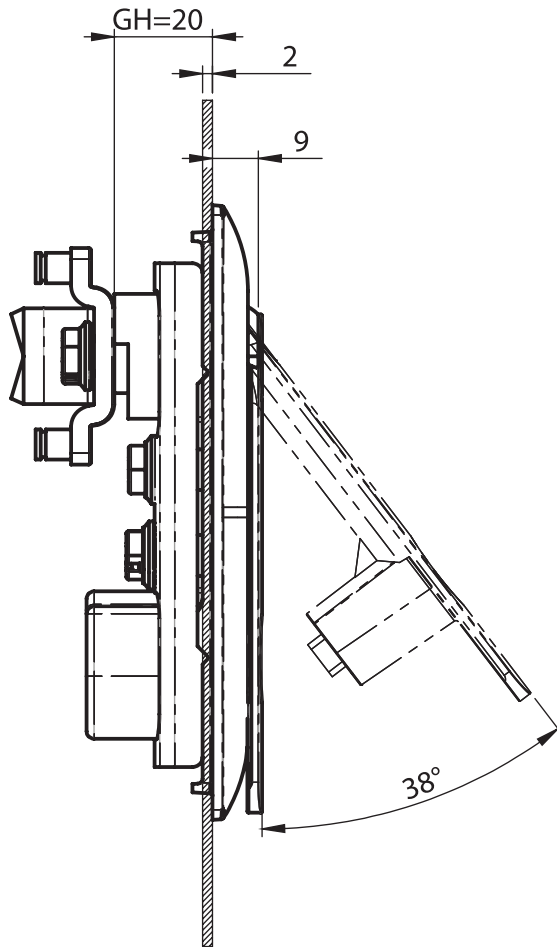
- Cams** : Page 84-85
- Round Rods** : Page 81
- Rod Guides** : Page 82





Cutout





Swinghandles


Material

- Handle** : Zinc Die, black coated or chrome plated
Poliamide (PA6 GFR30), black
- Dish** : Zinc Die, black coated or chrome plated
Poliamide (PA6 GFR30), black

Options

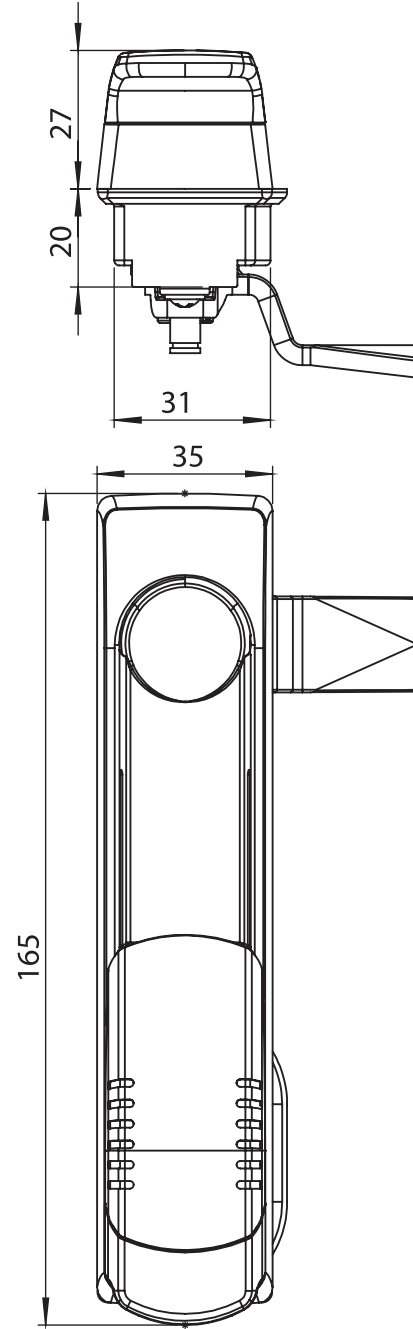
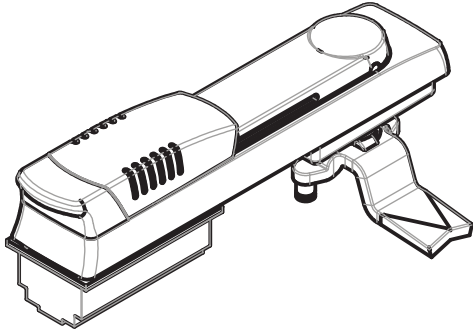
- Cams** : Page 84-85
- Round Rods** : Page 81
- Rod Guides** : Page 82

2102 - Swinghandle

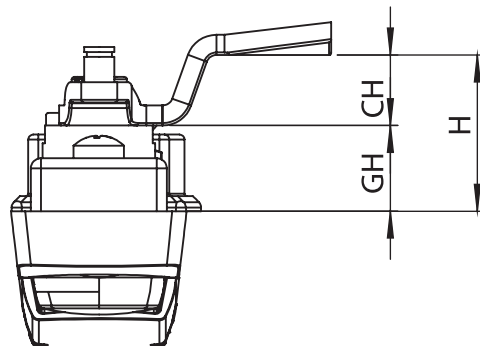
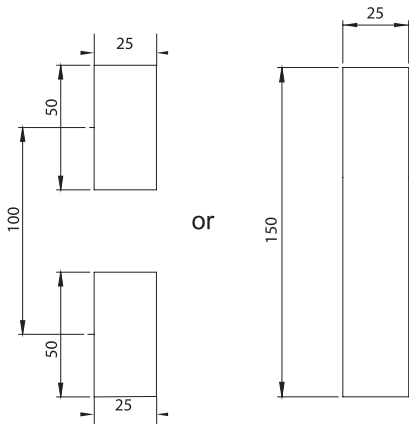
Type of Cylinder		Complete Metal Black Coated	Complete PA
	Keyed 3333	2102 - 113 - xxx	2217 - 113 - xxx
	Keyed Same	2102 - 117 - xxx	2217 - 117 - xxx
	Keyed Differ	2102 - 119 - xxx	2217 - 119 - xxx
	Keyed Differ with Master System	2102 - 118 - xxx	2217 - 118 - xxx

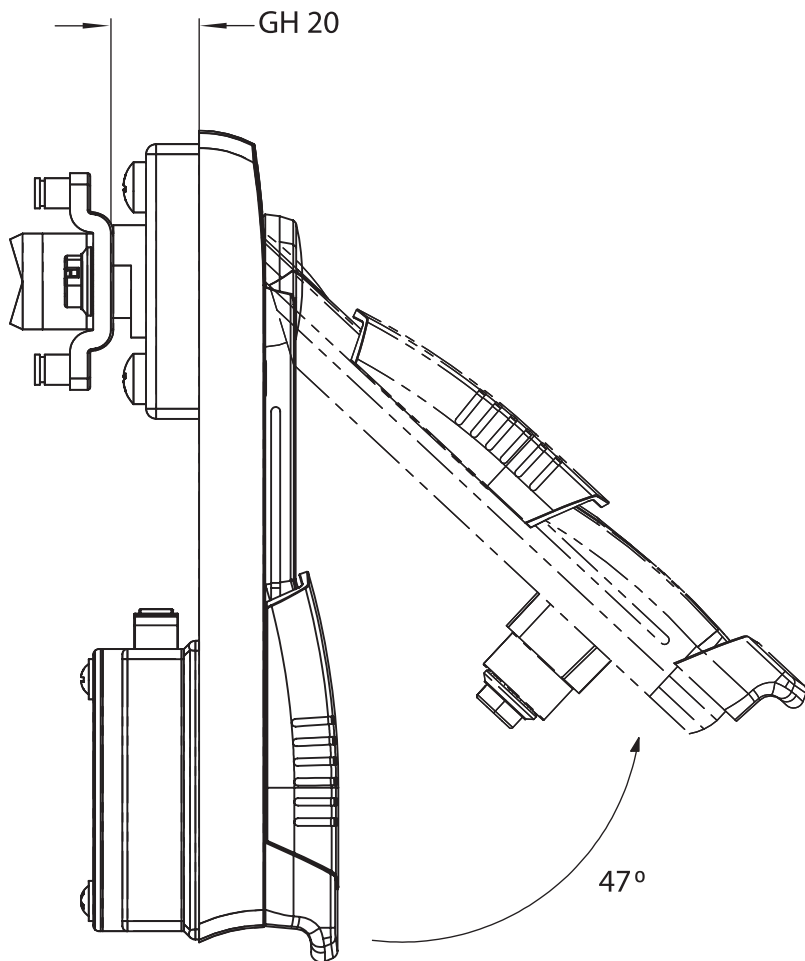
For chrome plated version, please use code 2122 instead of 2102.
You may chose XXX section from cam tables

Complete Metal	IP 65		LH/RH
			RoHS



Cutout





2206 - Swinghandle

Type of Cylinder		
	Double Bit 3 mm	2206 - 041 - xxx
	Double Bit 5 mm	2206 - 042 - xxx
	Triangular 8 mm	2206 - 047 - xxx
	Triangular 8 mm	2206 - 043 - xxx
	Triangular 9 mm	2206 - 049 - xxx
	Square 7 mm	2206 - 044 - xxx
	Square 8 mm	2206 - 045 - xxx
	Slotted	2206 - 048 - xxx

	Keyed 3333	2206 - 023 - xxx
	Keyed Same	2206 - 027 - xxx
	Keyed Differ	2206 - 029 - xxx
	Keyed Differ with Master System	2206 - 028 - xxx

You may chose XXX section from cam tables



Swinghandles

Material

Handle : Poliamide (PA6 GFR30), black
Dish : Poliamide (PA6 GFR30), black
Sliding Cover : Poliamide (PA6 GFR30), black

Options

Cams : Page 84-85
Round Rods : Page 81
Rod Guides : Page 82

Complete
PA

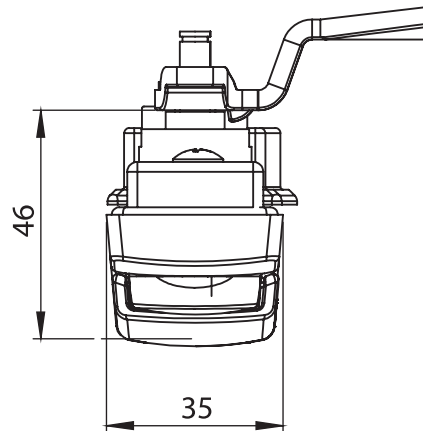
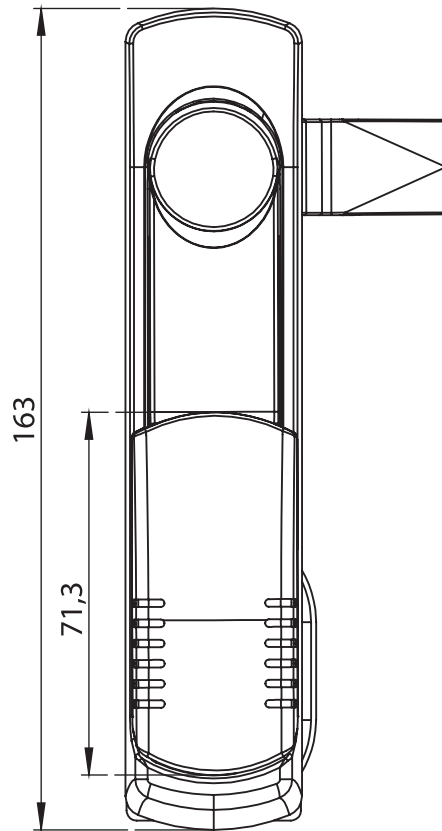
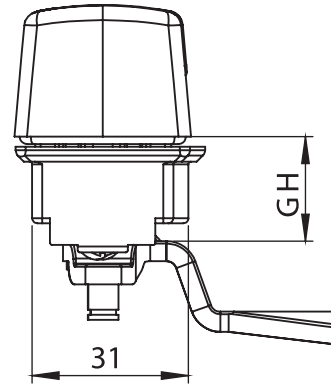
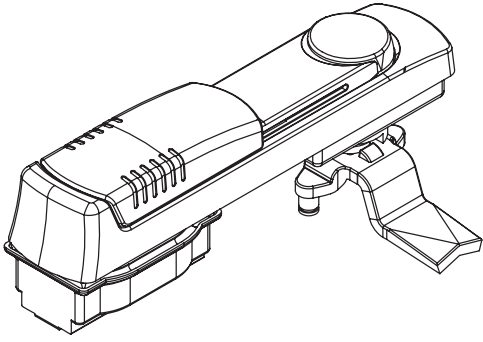
IP 65



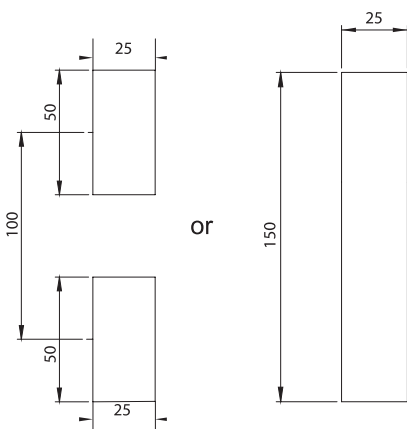
LH/RH

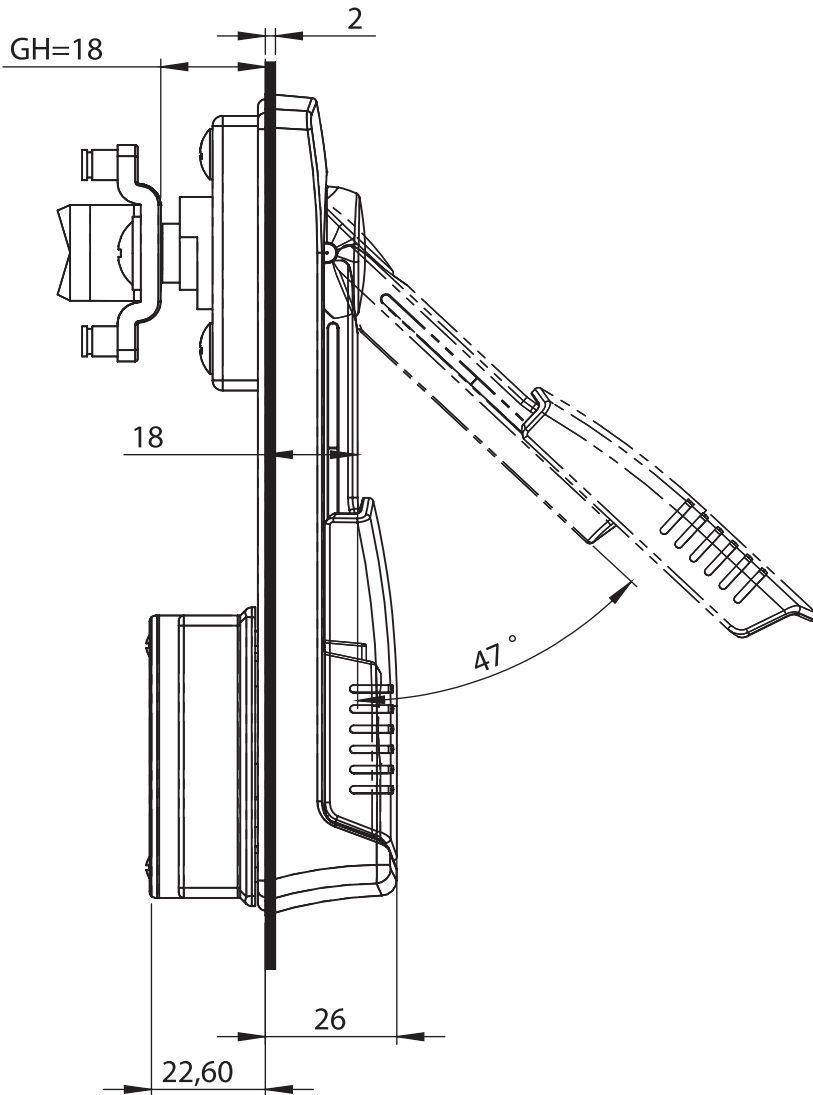


RoHS



Cutout





2214 - Swinghandle

Type of Profile Cylinder		
	Double Bit 3 mm	2214 - 031 - xxx
	Double Bit 5 mm	2214 - 032 - xxx
	Triangular 8 mm	2214 - 037 - xxx
	Triangular 8 mm	2214 - 033 - xxx
	Triangular 9 mm	2214 - 039 - xxx
	Square 7 mm	2214 - 034 - xxx
	Square 8 mm	2214 - 035 - xxx
	Slotted	2214 - 038 - xxx
	Keyed 3333	2214 - 013 - xxx
	Keyed Same	2214 - 017 - xxx
	Keyed Differ	2214 - 019 - xxx
	Keyed Differ with Master System	2214 - 018 - xxx

You may chose XXX section from cam tables



Swinghandles

Material

Handle : Poliamide (PA6 GFR30), black
Dish : Poliamide (PA6 GFR30), black
Sliding Cover : Poliamide (PA6 GFR30), black

Options

Cams : Page 84-85
Round Rods : Page 81
Rod Guides : Page 82

Complete PA

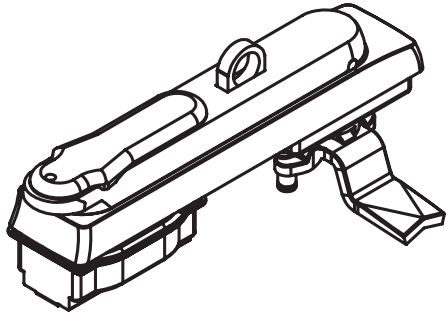
IP 65



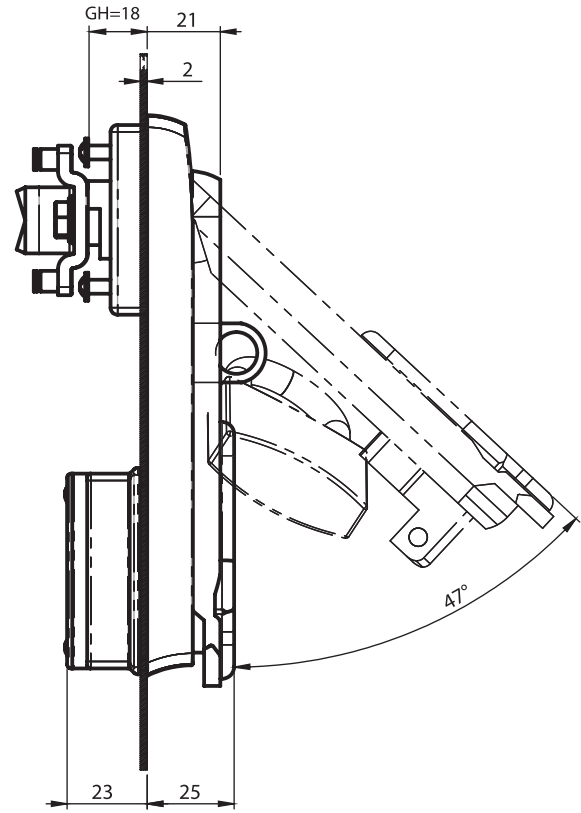
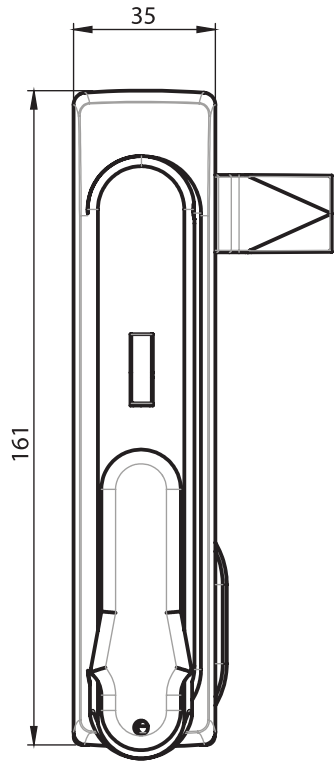
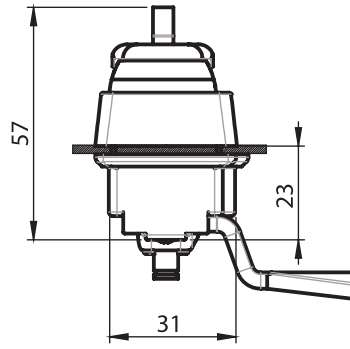
LH/RH



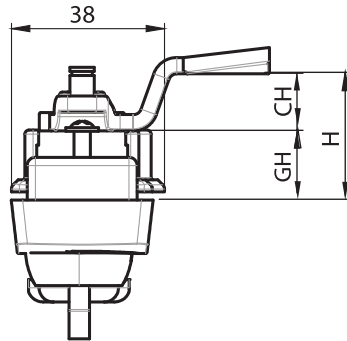
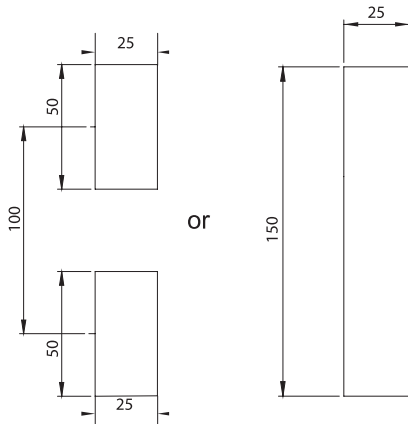
RoHS











Swinghandles




Cutout











2204 - Swinghandle


WITHOUT PADLOCK		Without Dustcover	With Dustcover
	Double Bit 3 mm	2204 - 031 - xxx	2204 - 131 - xxx
	Double Bit 5 mm	2204 - 032 - xxx	2204 - 132 - xxx
	Triangular 8 mm	2204 - 037 - xxx	2204 - 137 - xxx
	Triangular 8 mm	2204 - 033 - xxx	2204 - 133 - xxx
	Triangular 9 mm	2204 - 039 - xxx	2204 - 139 - xxx
	Square 7 mm	2204 - 034 - xxx	2204 - 134 - xxx
	Square 8 mm	2204 - 035 - xxx	2204 - 135 - xxx
	Slotted	2204 - 038 - xxx	2204 - 138 - xxx

	Keyed 3333	2204 - 313 - xxx	2204 - 213 - xxx
	Keyed Same	2204 - 317 - xxx	2204 - 217 - xxx
	Keyed Differ	2204 - 319 - xxx	2204 - 219 - xxx
	Keyed Differ with Master System	2204 - 318 - xxx	2204 - 218 - xxx

You may chose XXX section from cam tables

2204 - Swinghandle

WITH PADLOCK		Without Dustcover	With Dustcover
	Double Bit 3 mm	2204 - 331 - xxx	2204 - 231 - xxx
	Double Bit 5 mm	2204 - 332 - xxx	2204 - 232 - xxx
	Triangular 8 mm	2204 - 337 - xxx	2204 - 237 - xxx
	Triangular 8 mm	2204 - 333 - xxx	2204 - 233 - xxx
	Triangular 9 mm	2204 - 339 - xxx	2204 - 239 - xxx
	Square 7 mm	2204 - 334 - xxx	2204 - 234 - xxx
	Square 8 mm	2204 - 335 - xxx	2204 - 235 - xxx
	Slotted	2204 - 338 - xxx	2204 - 238 - xxx

	Keyed 3333	2204 - 313 - xxx	2204 - 213 - xxx
	Keyed Same	2204 - 317 - xxx	2204 - 217 - xxx
	Keyed Differ	2204 - 319 - xxx	2204 - 219 - xxx
	Keyed Differ with Master System	2204 - 318 - xxx	2204 - 218 - xxx

You may chose XXX section from cam tables



Swinghandles

Material

Handle : Poliamide (PA6 GFR30), black
Dish : Poliamide (PA6 GFR30), black
Dust Cover : Poliamide (PA6 GFR30), black
Padlock Device : Stainless Steel, AISI 304

Options

Cams : Page 84-85
Round Rods : Page 81
Rod Guides : Page 82

Complete PA

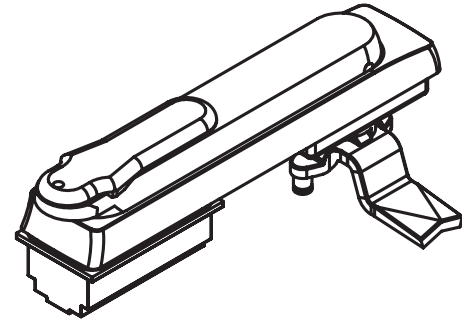
IP 65



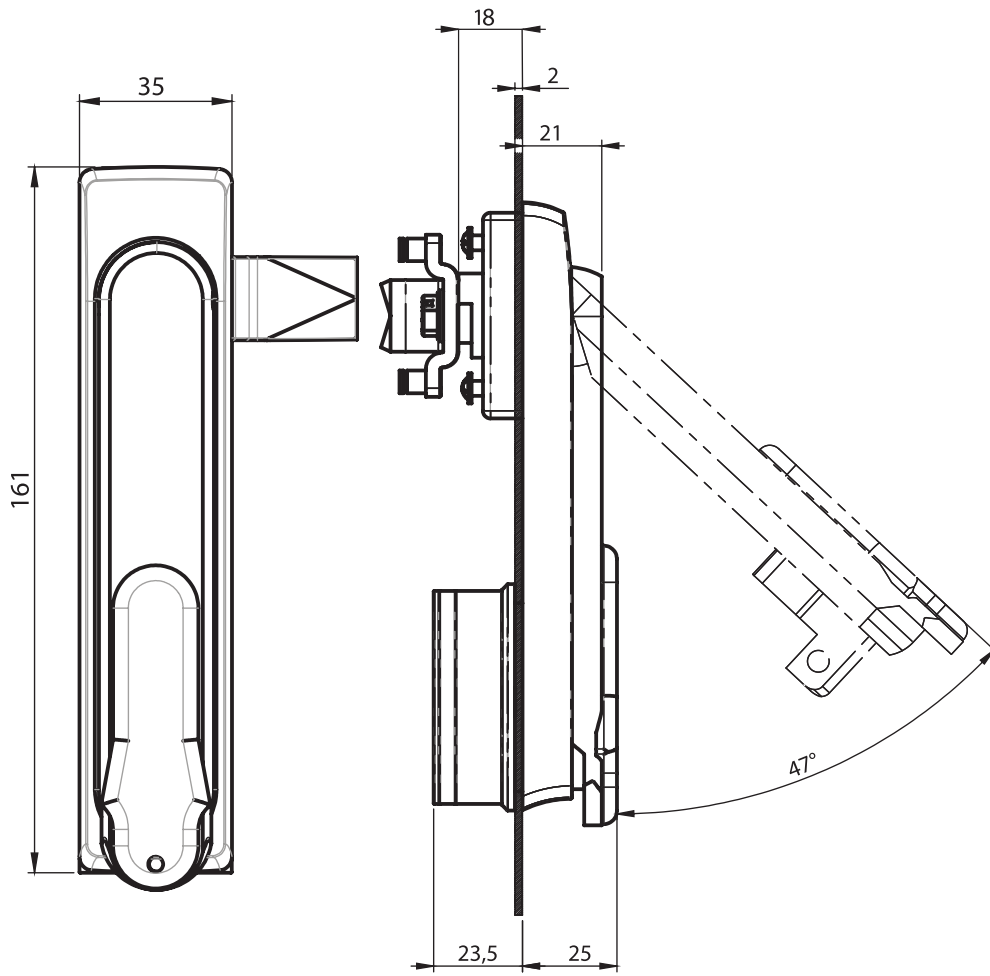
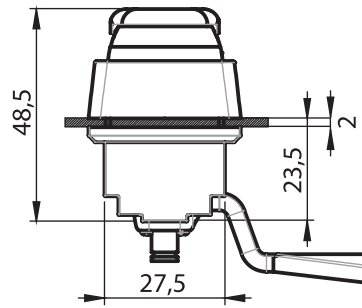
LH/RH



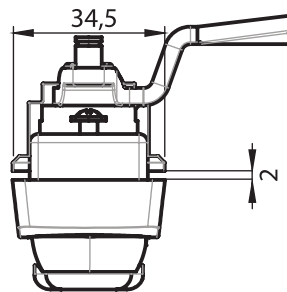
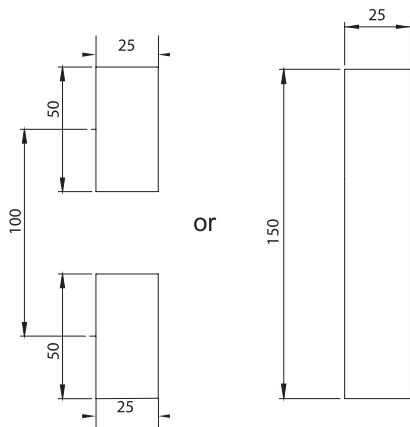
RoHS











Swinghandles




Cutout







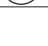



2205 - Swinghandle


WITHOUT PADLOCK		without Dustcover	with Dustcover
	Double Bit 3 mm	2205 - 041 - xxx	2205 - 141 - xxx
	Double Bit 5 mm	2205 - 042 - xxx	2205 - 142 - xxx
	Triangular 8 mm	2205 - 047 - xxx	2205 - 147 - xxx
	Triangular 8 mm	2205 - 043 - xxx	2205 - 143 - xxx
	Triangular 9 mm	2205 - 049 - xxx	2205 - 149 - xxx
	Square 7 mm	2205 - 044 - xxx	2205 - 144 - xxx
	Square 8 mm	2205 - 045 - xxx	2205 - 145 - xxx
	Slotted	2205 - 048 - xxx	2205 - 148 - xxx

	Keyed 3333	2205 - 023 - xxx	2205 - 123 - xxx
	Keyed Same	2205 - 027 - xxx	2205 - 127 - xxx
	Keyed Differ	2205 - 029 - xxx	2205 - 129 - xxx
	Keyed Differ with Master System	2205 - 028 - xxx	2205 - 128 - xxx

You may chose XXX section from cam tables

2205 - Swinghandle

WITH PADLOCK		without Dustcover	with Dustcover
	Double Bit 3 mm	2205 - 341 - xxx	2205 - 241 - xxx
	Double Bit 5 mm	2205 - 342 - xxx	2205 - 242 - xxx
	Triangular 8 mm	2205 - 347 - xxx	2205 - 247 - xxx
	Triangular 8 mm	2205 - 343 - xxx	2205 - 243 - xxx
	Triangular 9 mm	2205 - 349 - xxx	2205 - 249 - xxx
	Square 7 mm	2205 - 344 - xxx	2205 - 244 - xxx
	Square 8 mm	2205 - 345 - xxx	2205 - 245 - xxx
	Slotted	2205 - 348 - xxx	2205 - 248 - xxx

	Keyed 3333	2205 - 323 - xxx	2205 - 223 - xxx
	Keyed Same	2205 - 327 - xxx	2205 - 227 - xxx
	Keyed Differ	2205 - 329 - xxx	2205 - 229 - xxx
	Keyed Differ with Master System	2205 - 328 - xxx	2205 - 228 - xxx

You may chose XXX section from cam tables



Swinghandles

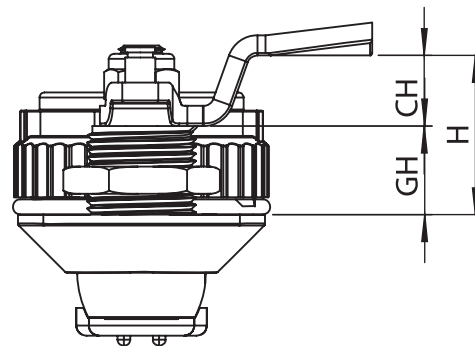
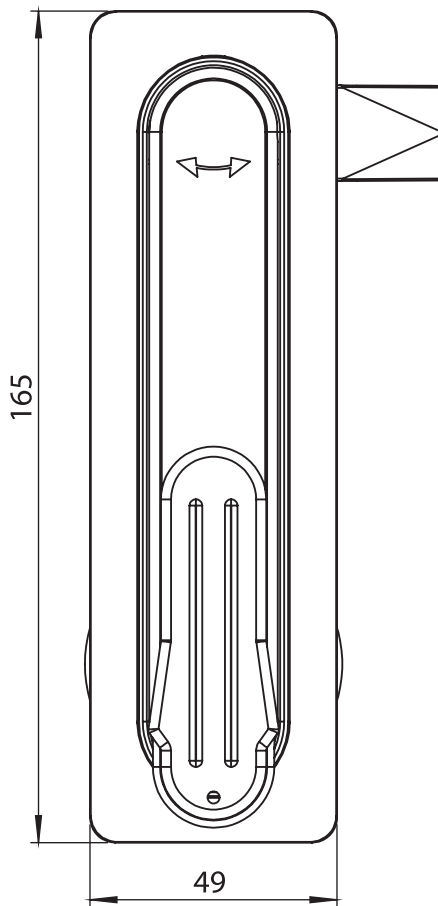
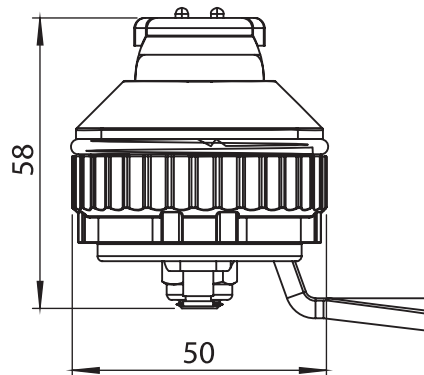
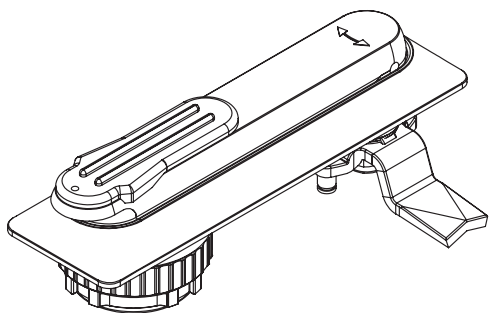
Material

Handle : Poliamide (PA6 GFR30), black
Dish : Poliamide (PA6 GFR30), black
Dust Cover : Poliamide (PA6 GFR30), black
Padlock Device : Stainless Steel, AISI 304

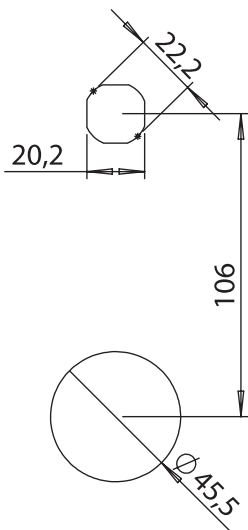
Options

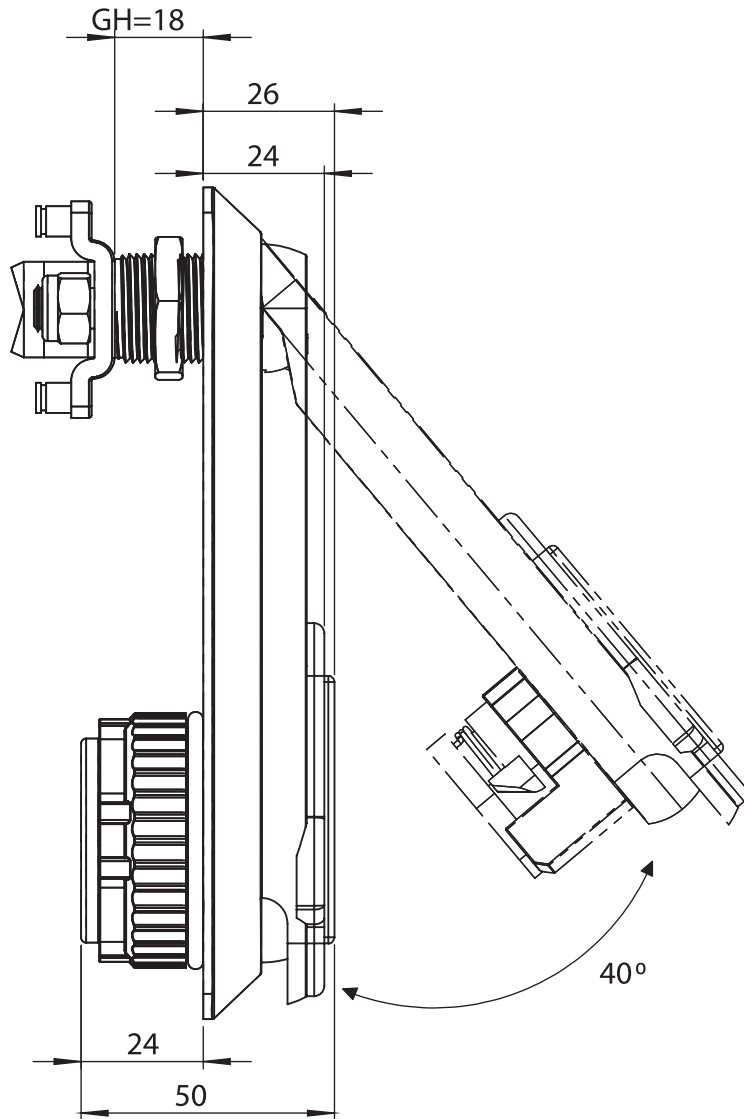
Cams : Page 84-85
Round Rods : Page 81
Rod Guides : Page 82





Cutout





2215 - Swinghandle

Type of Cylinder		without Dustcover	with Dustcover
	Double Bit 3 mm	2215 - 031 - xxx	2215 - 131 - xxx
	Double Bit 5 mm	2215 - 032 - xxx	2215 - 132 - xxx
	Triangular 8 mm	2215 - 037 - xxx	2215 - 137 - xxx
	Triangular 8 mm	2215 - 033 - xxx	2215 - 133 - xxx
	Triangular 9 mm	2215 - 039 - xxx	2215 - 139 - xxx
	Square 7 mm	2215 - 034 - xxx	2215 - 134 - xxx
	Square 8 mm	2215 - 035 - xxx	2215 - 135 - xxx
	Slotted	2215 - 038 - xxx	2215 - 138 - xxx
	Keyed 3333	2215 - 013 - xxx	2215 - 113 - xxx
	Keyed Same	2215 - 017 - xxx	2215 - 117 - xxx
	Keyed Differ	2215 - 019 - xxx	2215 - 119 - xxx
	Keyed Differ with Master System	2215 - 018 - xxx	2215 - 118 - xxx

You may chose XXX section from cam tables



Swinghandles

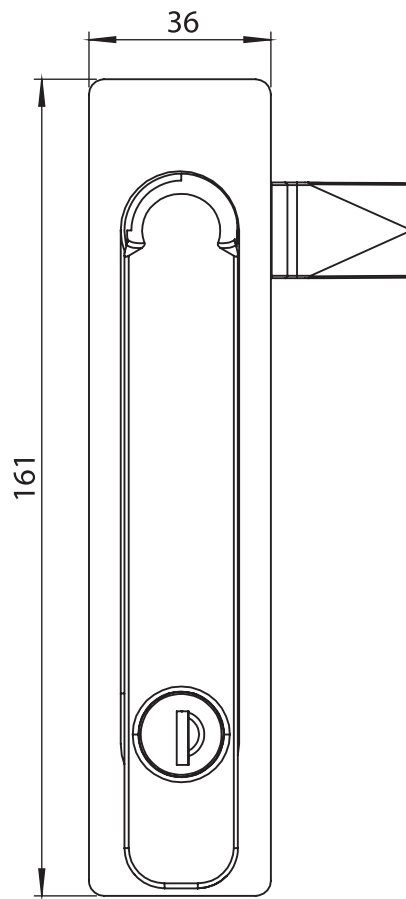
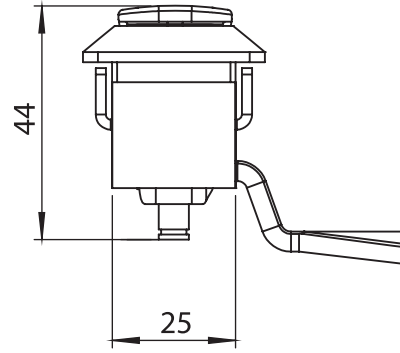
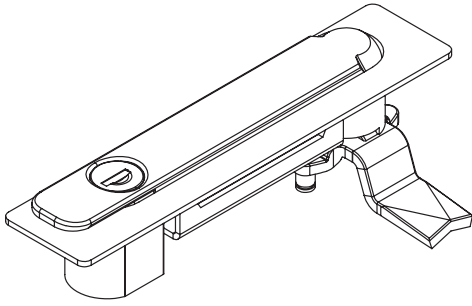
Material

- Handle : Poliamide (PA6 GFR30), black
- Dish : Poliamide (PA6 GFR30), black
- Dust Cover : Poliamide (PA6 GFR30), black

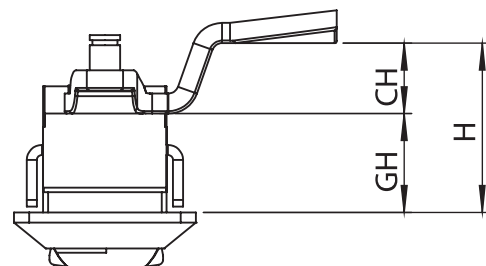
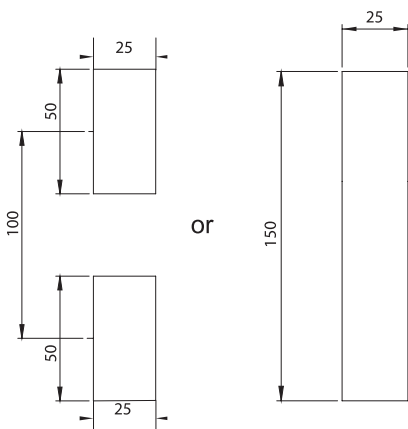
Options

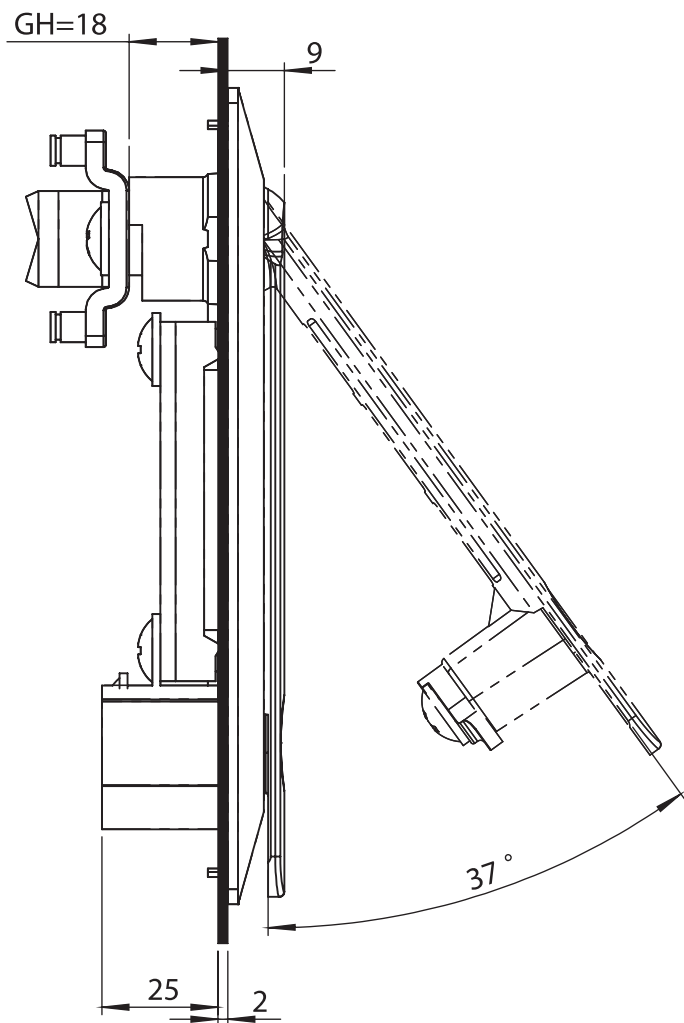
- Cams : Page 84-85
- Round Rods : Page 81
- Rod Guides : Page 82

	IP 65		LH/RH
			RoHS



Cutout





2207 - Swinghandle

Type of Cylinder		
	Double Bit 3 mm	2207 - 041 - xxx
	Double Bit 5 mm	2207 - 042 - xxx
	Triangular 8 mm	2207 - 047 - xxx
	Triangular 8 mm	2207 - 043 - xxx
	Triangular 9 mm	2207 - 049 - xxx
	Square 7 mm	2207 - 044 - xxx
	Square 8 mm	2207 - 045 - xxx
	Slotted	2207 - 048 - xxx

	Keyed 3333	2207 - 023 - xxx
	Keyed Same	2207 - 027 - xxx
	Keyed Differ	2207 - 029 - xxx
	Keyed Differ with Master System	2207 - 028 - xxx

You may chose XXX section from cam tables



Swinghandles

Material

Handle : Poliamide (PA6 GFR30), black
Dish : Poliamide (PA6 GFR30), black

Options

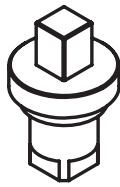
Cams : Page 84-85
Round Rods : Page 81
Rod Guides : Page 82

Complete PA	IP 65		LH/RH	
				RoHS

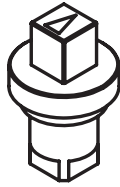
Profile Cylinder Types

	Insert Type	Item Number
	Double Bit 3 mm	2001 - 031
	Double Bit 5 mm	2001 - 032
	Triangular 7 mm	2001 - 037
	Triangular 8 mm	2001 - 033
	Triangular 9 mm	2001 - 039
	Square 7 mm	2001 - 034
	Square 8 mm	2001 - 035
	Slotted	2001 - 038
	Keyed 3333	2001 - 333
	Keyed Same	2001 - 337
	Keyed Differ	2001 - 339
	Keyed Differ with Master System	2001 - 338

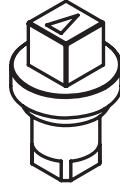
Insert Types



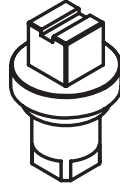
Square 6



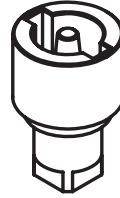
Square 7



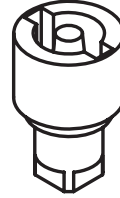
Square 8



Square 8
Slotted



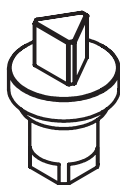
Double Bit
3mm



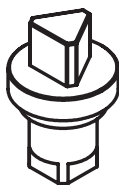
Double Bit
5mm



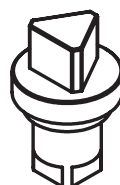
Triangular 6,5



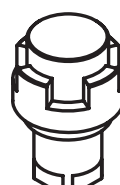
Triangular 7



Triangular 8



Triangular 9



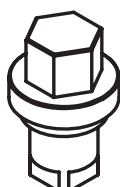
Crown Type



Fiat Type



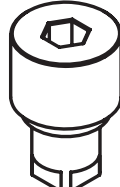
Hexagon 10



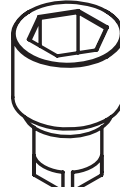
Hexagon 7



Hexagon 10
Slotted



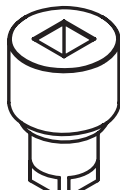
Soket
Hexagon 6



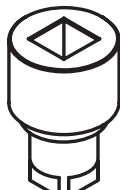
Soket
Hexagon 10



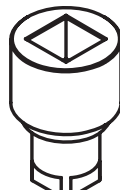
Hexagon
with Pin



Socket
Square 6



Socket
Square 7



Socket
Square 8



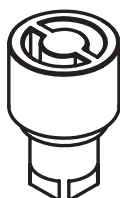
GDF
10x5



Eastern
Europe



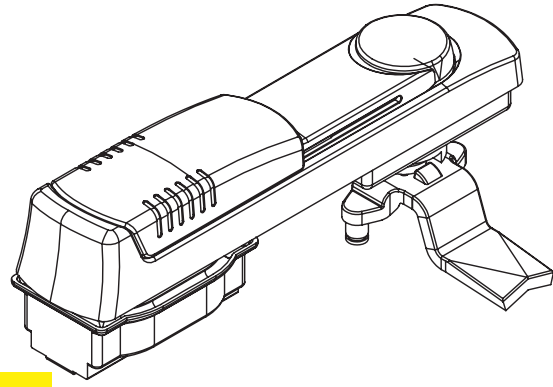
Slotted



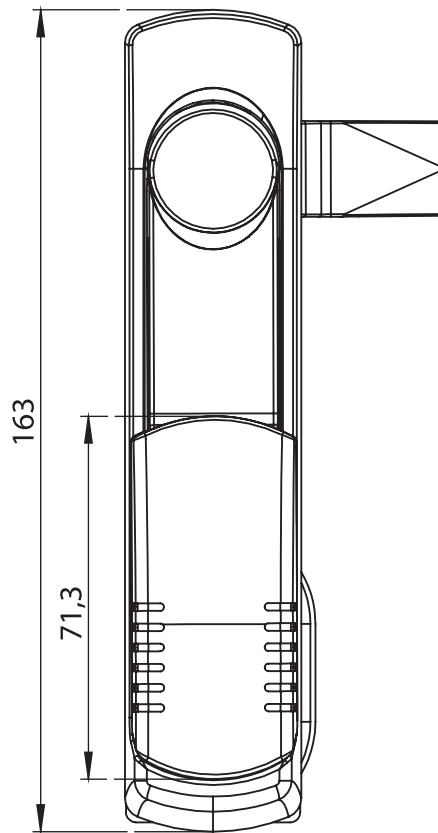
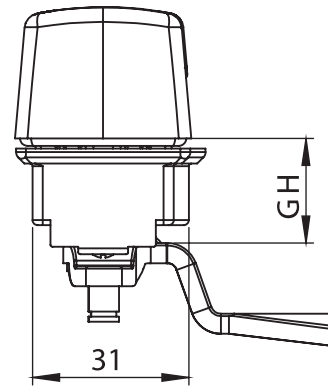
Daimler Benz
Type



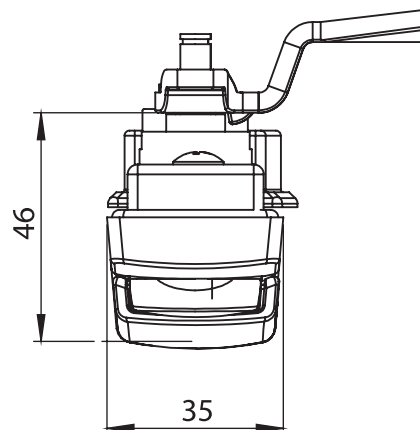
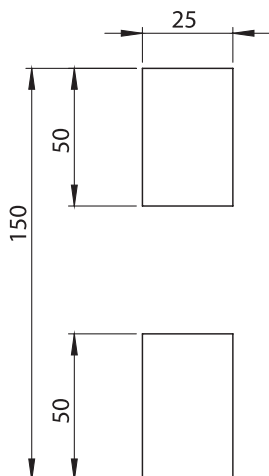
Slotted
Coin Proof

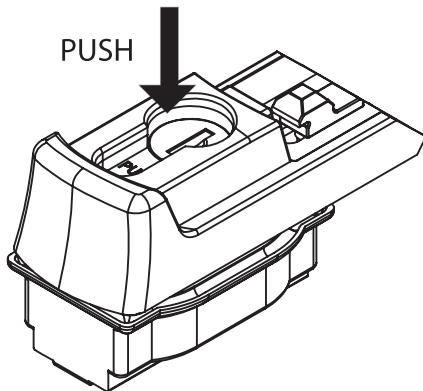
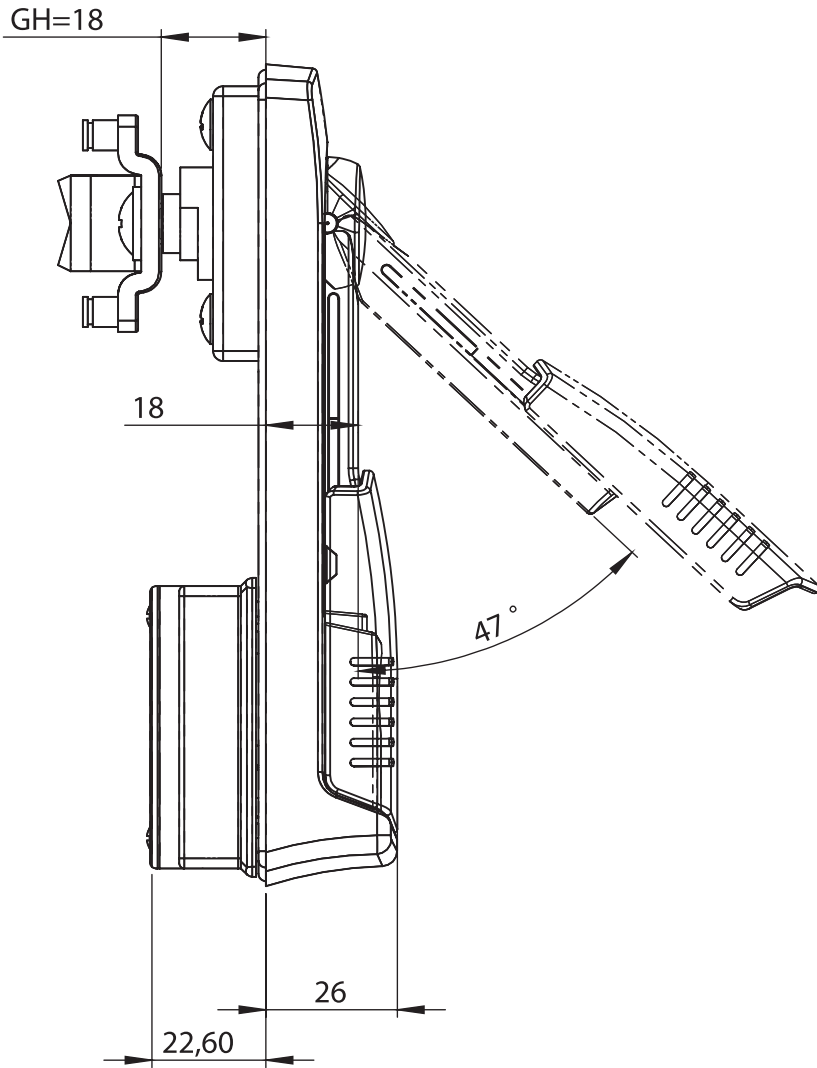


Swinghandle



Cut Out





Swinghandle

Material

- Handle** : Zinc Die, black coated or Polyamide (PA6 GFR30), black
- Dish** : Polyamide (PA6 GFR30), Siyah

Options

- Cams
- Round Rods
- Round Rod Guides

2304/2214 - Push Button Swinghandle

		Handle Zinc Die, Dish PA	Handle PA, Dish PA
	Non-Locking	2304-713-xxx	2214-713-xxx
	Keyed 3333	2304-717-xxx	2214-717-xxx
	Keyed Same	2304-719-xxx	2214-719-xxx

You may chose XXX section from cam tables.