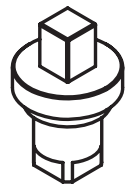
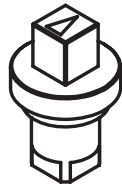


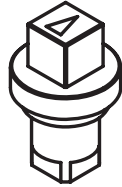
Insert Types



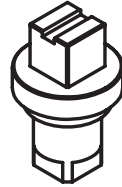
Square 6



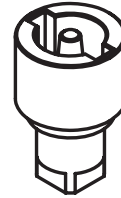
Square 7



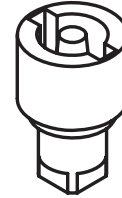
Square 8



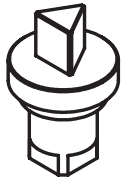
Square 8
Slotted



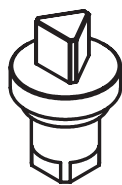
Double Bit
3mm



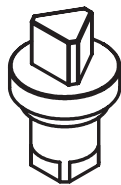
Double Bit
5mm



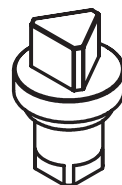
Triangular 6,5



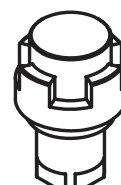
Triangular 7



Triangular 8



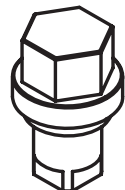
Triangular 9



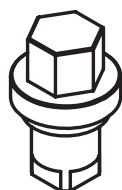
Crown Type



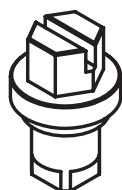
Fiat Type



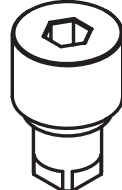
Hexagon 10



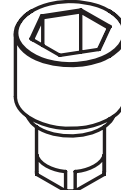
Hexagon 7



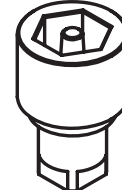
Hexagon 10
Slotted



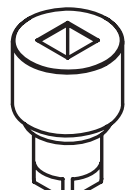
Scket
Hexagon 6



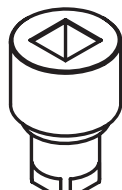
Scket
Hexagon 10



Hexagon
with Pin



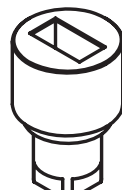
Socket
Square 6



Socket
Square 7



Socket
Square 8



GDF
10x5



Eastern
Europe



Slotted



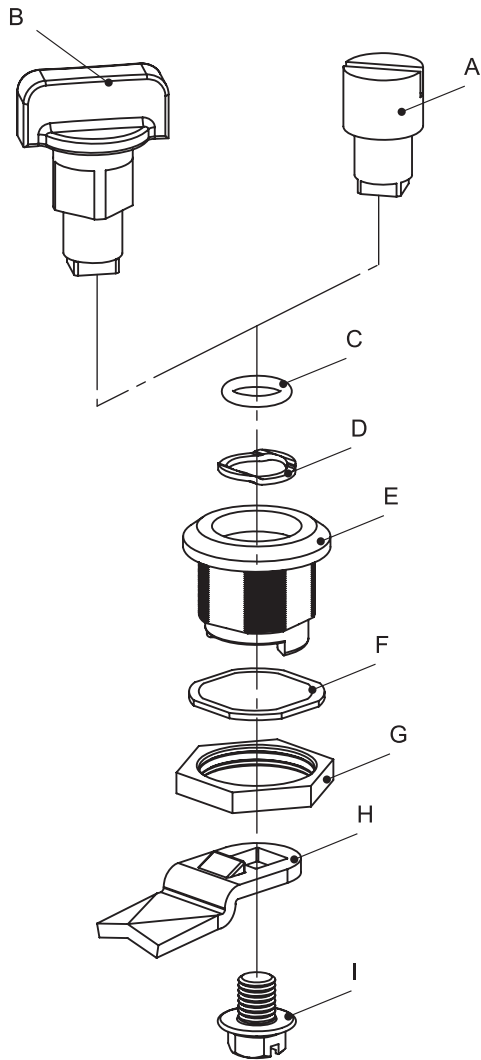
Daimler Benz
Type



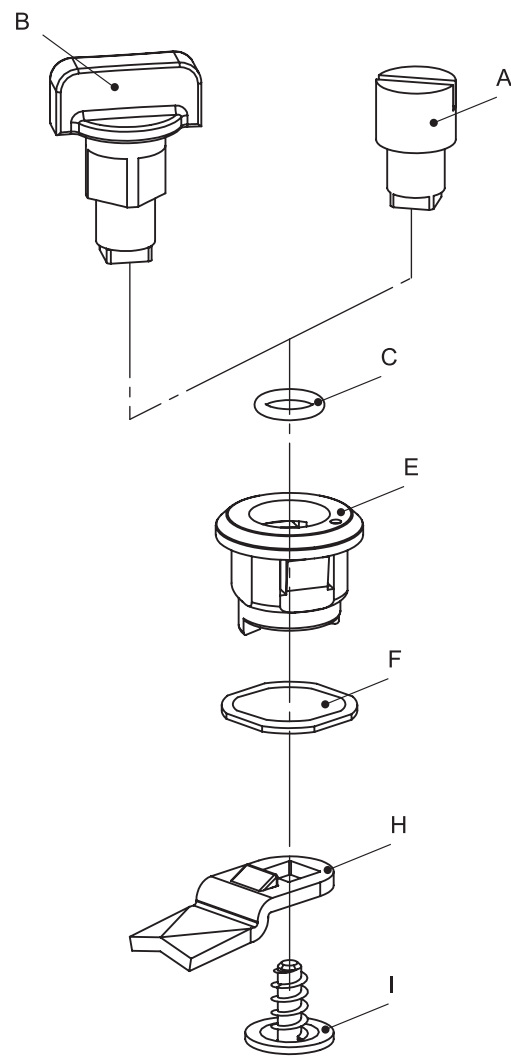
Slotted
Coin Proof

GH =13,5 Assembly

Zinc Die



Plastic



Zinc Die

- A : Insert (Zinc Die)
- B : Wing Knob (Zinc Die)
- C : O'ring
- D : Washer
- E : Housing (Zinc Die)
- F : Housing Seal
- G : Nut (Zinc Die)
- H : Cam (Steel)
- I : Screw

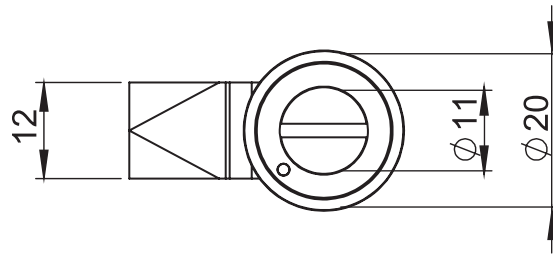
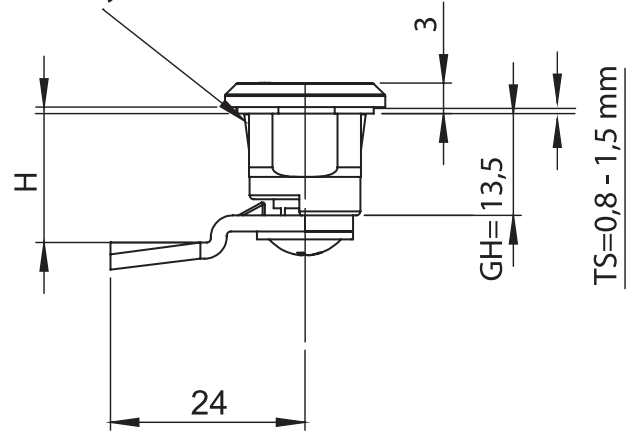
Plastic

- A : Insert (PA)
- B : Wing Knob (PA)
- C : O'ring
- E : Housing (PA)
- F : Housing Seal
- H : Cam (Steel)
- I : Screw



Quarter Turns

Nose for assembly



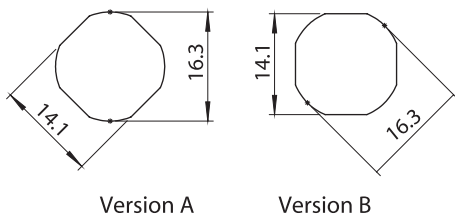
Material

Housing : Polyamide (PA6 GFR30), black
Insert : Polyamide (PA6 GFR30), black
Cam : Steel, zinc plated

Options

Cams : Page 84
Keys : Page 45

Cutout



1815 - Mini Quarter Turn GH=13,5

	Insert Types	Version A Cutout	Version B Cutout
	Square 6	1815 - 001 - xxx	1814 - 001 - xxx
	Triangular 6.5	1815 - 002 - xxx	1814 - 002 - xxx
	Slotted	1815 - 003 - xxx	1814 - 003 - xxx

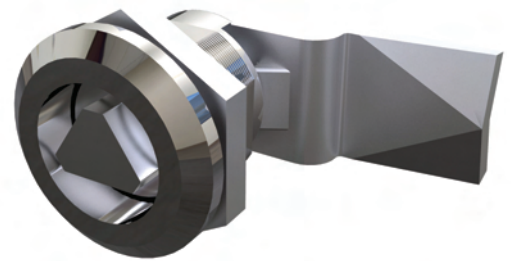
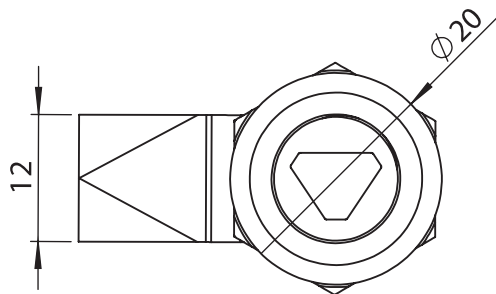
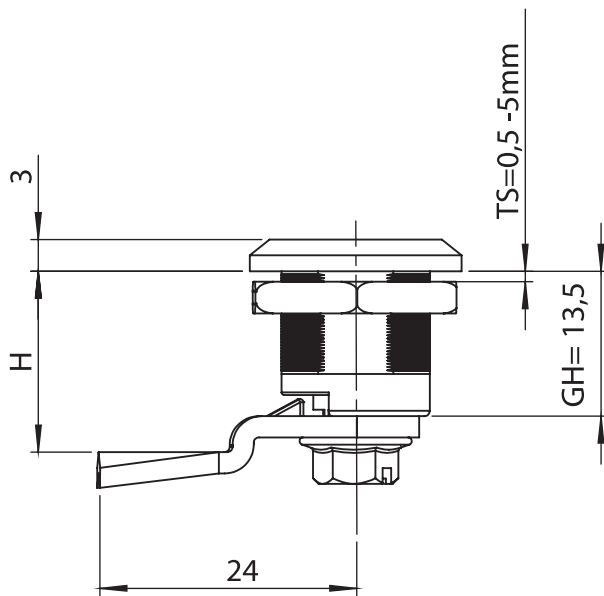
You may chose the XXX part from the first table of cam pages.

IP 44



LH/RH

RoHS



Quarter Turns

Material

- Housing** : Zinc Die, Black coated or Chrome plated
- Insert** : Zinc Die, Black coated or Chrome plated
- Nut** : Zinc Die, zinc plated
- Cam** : Steel, zinc plated

Options

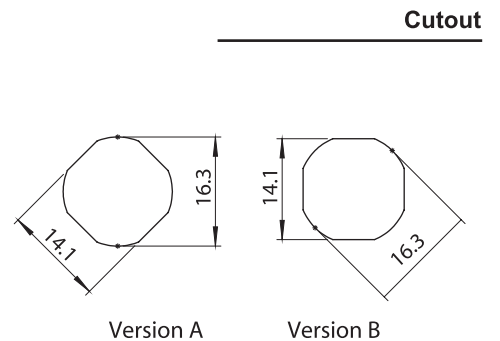
- Cams** : Page 84
- Keys** : Page 45

1825 - Mini Quarter Turn GH=13,5

Version A Cutout			
	Insert Types	Chrome Plated	Black Coated
	Square 6	1825 - 201 - xxx	1825 - 301 - xxx
	Triangular 6.5	1825 - 202 - xxx	1825 - 302 - xxx
	Slotted	1825 - 203 - xxx	1825 - 303 - xxx

Version B Cutout			
	Insert Types	Chrome Plated	Black Coated
	Square 6	1824 - 201 - xxx	1824 - 301 - xxx
	Triangular 6.5	1824 - 202 - xxx	1824 - 302 - xxx
	Slotted	1824 - 203 - xxx	1824 - 303 - xxx

You may chose the XXX part from the first table of cam pages.



IP 65 LH/RH RoHS



Quarter Turns

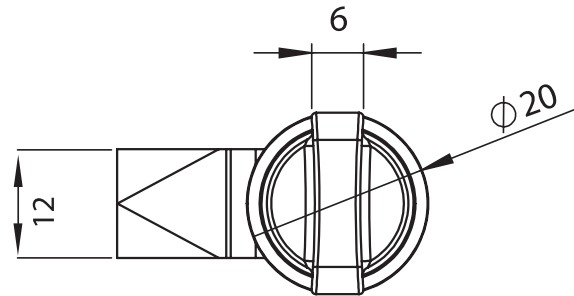
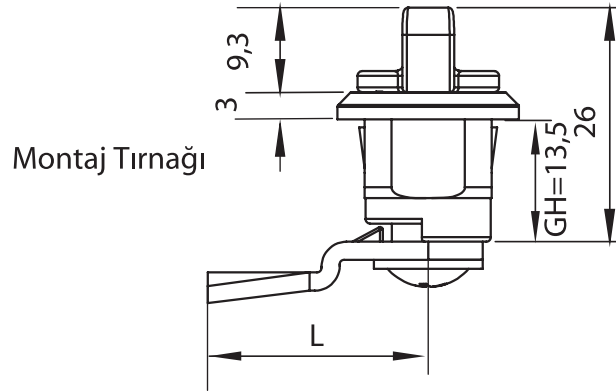
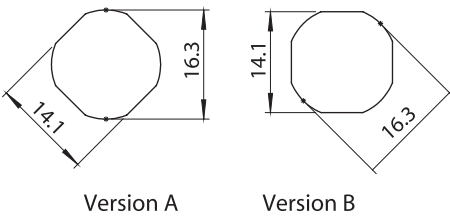
Material

Housing : Polyamide (PA6 GFR30), black
Insert : Polyamide (PA6 GFR30), black
Cam : Steel, zinc plated

Options

Cams : Page 84

Cutout

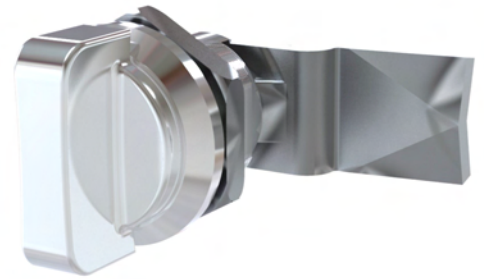
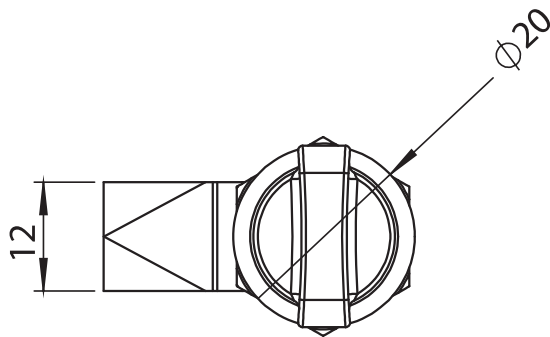
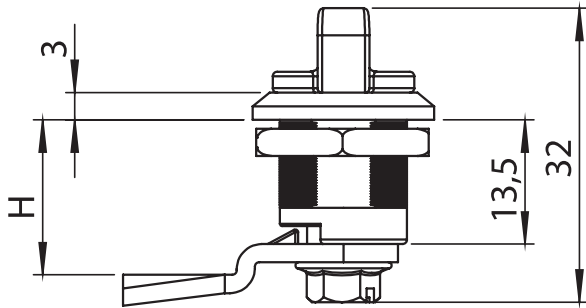


1814 - Mini Wing Knob Quarter Turn GH=13,5

	Version A Cutout	Version B Cutout
Item Number	1815 - 004 - xxx	1814 - 004 - xxx

You may chose the XXX part from the first table of cam pages.





Quarter Turns

Material

- Housing** : Zinc Die, Black coated or Chrome plated
- Insert** : Zinc Die, Black coated or Chrome plated
- Nut** : Zinc Die, zinc plated
- Cam** : Steel, zinc plated

Options

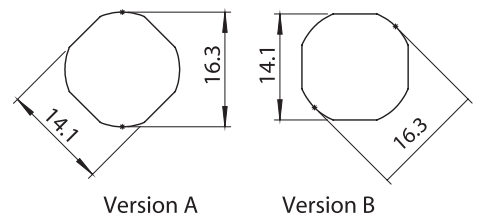
Cams : Page 84

1824 - Mini Wing Knob Quarter Turn GH=13,5

	Chrome Plated	Black Coated
Version A Cutout	1825 - 204 - xxx	1825 - 304 - xxx
Version B Cutout	1824 - 204 - xxx	1824 - 304 - xxx

You may chose the XXX part from the first table of cam pages.

Cutout



IP 65



LH/RH

RoHS



Quarter Turns

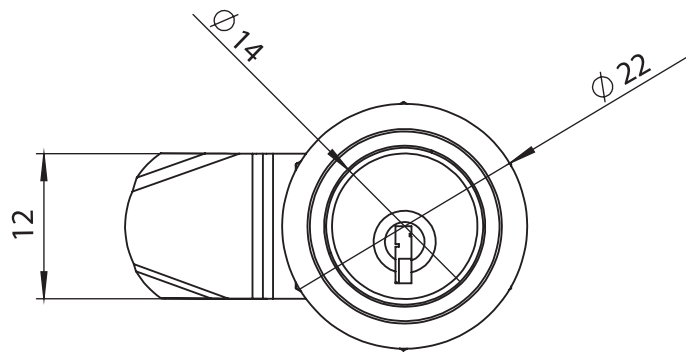
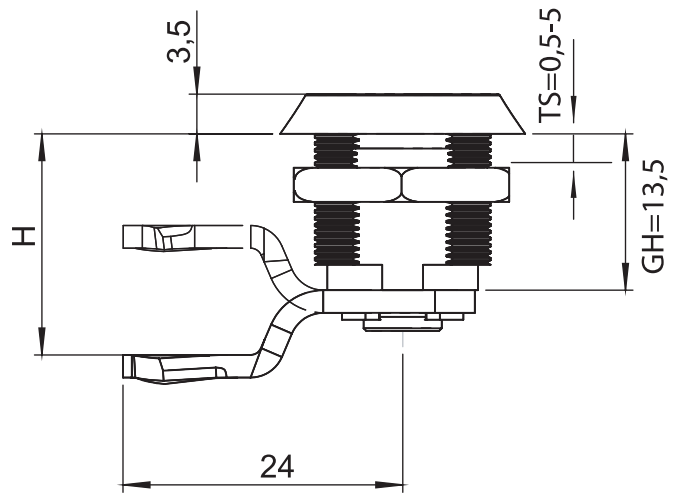
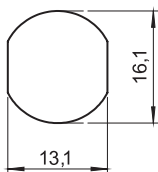
Material

- Housing:** Zinc Die, Black coated or Chrome plated
- Nut** : Zinc Die, zinc plated
- Cam** : Steel, zinc plated

Options

Cams : Page 84

Cutout



1890 - Quarter Turn with Barrel GH=13,5

	Chrome Plated	Black Coated
Keyed 2222	1890 - 910 - xxx	1890 - 920 - xxx
Keyed Differ	1890 - 919 - xxx	1890 - 929 - xxx

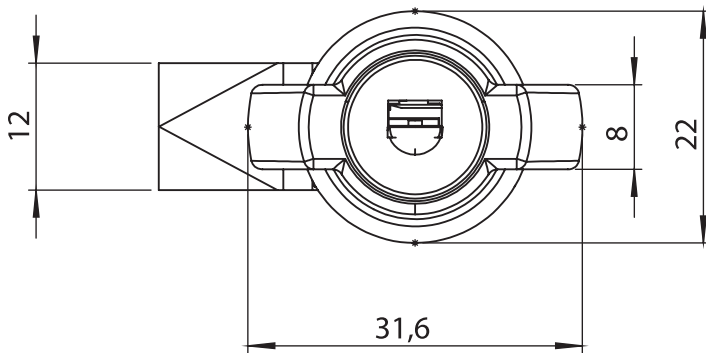
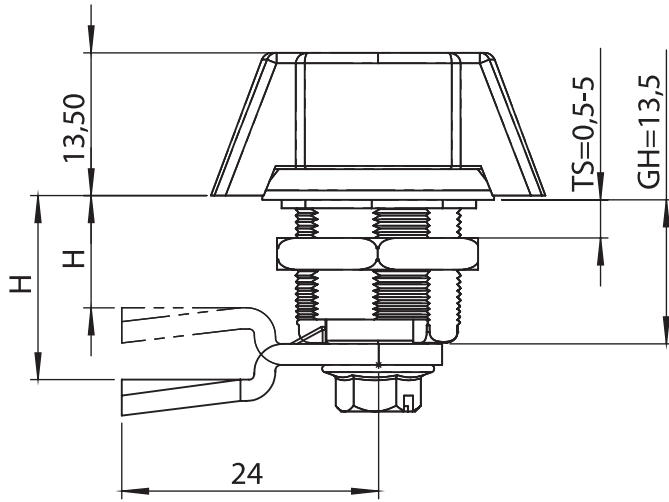
You may chose the XXX part from the second table of cam pages.

IP 44



LH/RH

RoHS



1014 - Mini Wing Knob Quarter Turn GH=13,5

	Chrome Plated	Black Coated
Without Barrel	1014 - 210 - xxx	1014 - 220 - xxx
Keyed 2222	1014 - 910 - xxx	1014 - 920 - xxx
Keyed Differ	1014 - 919 - xxx	1014 - 929 - xxx

You may chose the XXX part from the first table of cam pages.



Quarter Turns

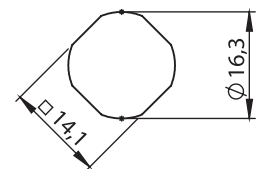
Material

- Housing** : Zinc Die, Black coated or Chrome plated
- Kelebek** : Zamak, krom kaplı veya siyah boyalı
- Nut** : Zinc Die, zinc plated
- Cam** : Steel, zinc plated

Options

Cams : Page 84

Cutout



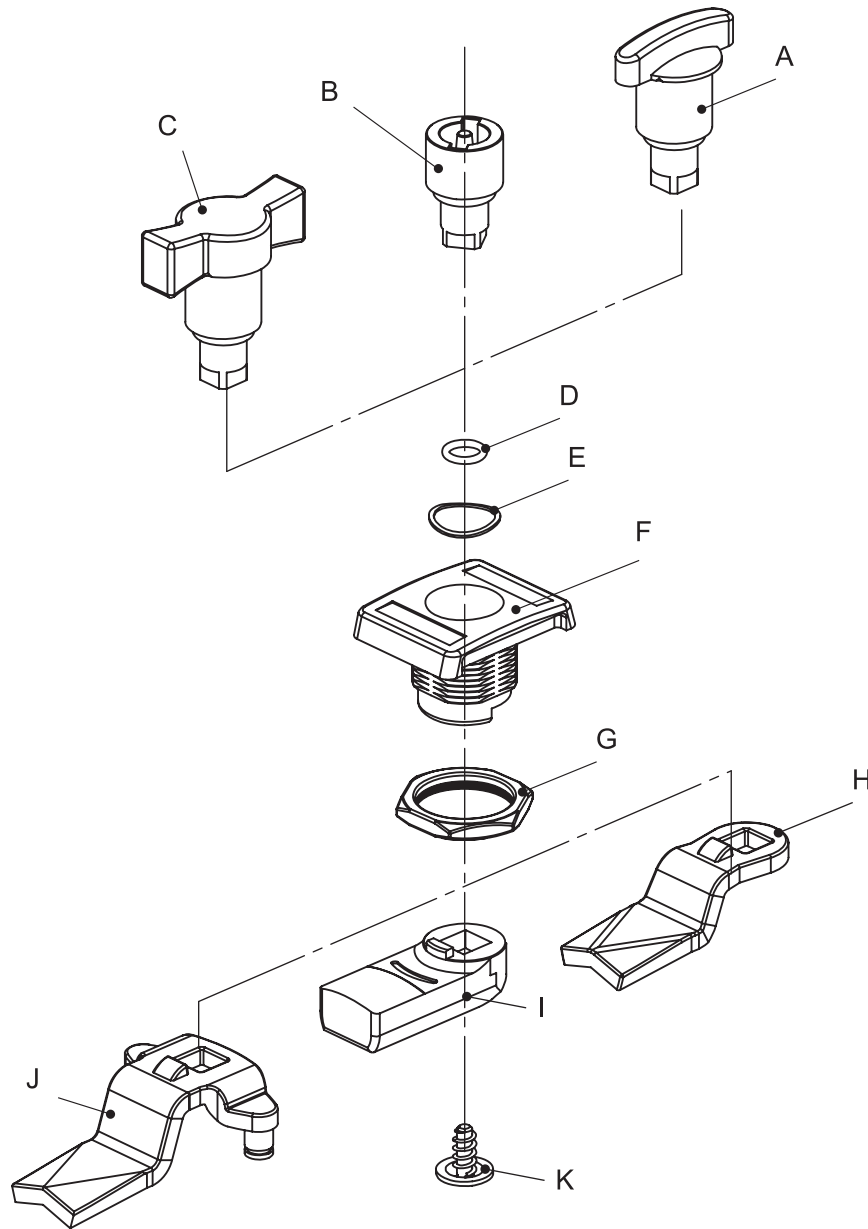
IP 65



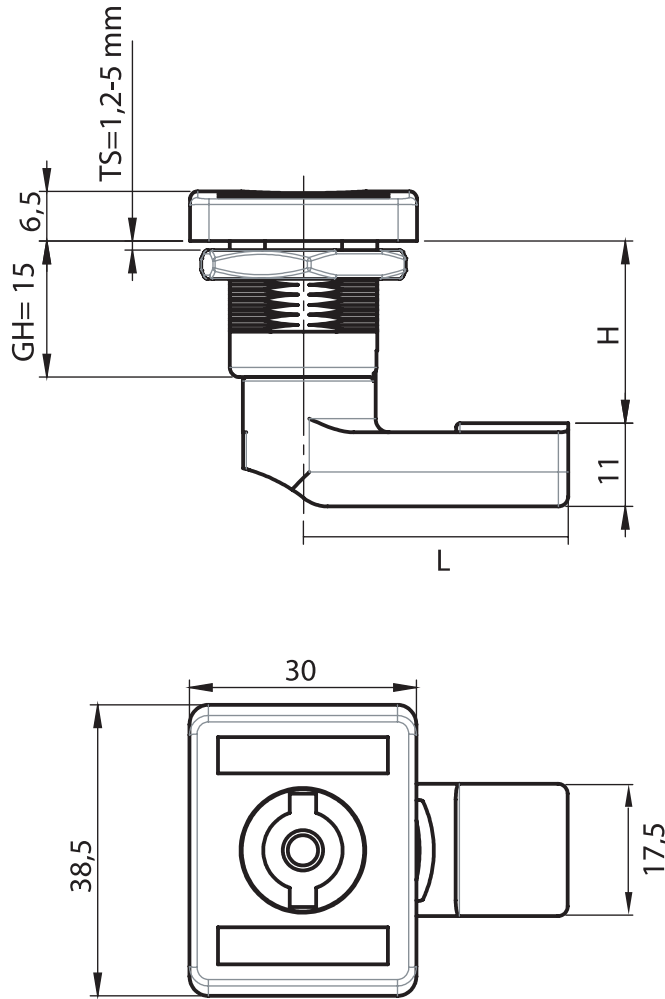
LH/RH

RoHS

GH = 15 PA Assembly



- A : Wing Knob (PA)
- B : Insert (PA)
- C : Wing Knob (PA)
- D : O'ring
- E : Washer
- F : Housing (PA)
- G : Nut (PA or Zinc Die)
- H : Cam (Steel)
- I : Cam (PA)
- J : Cam (Steel)
- K : Screw



Quarter Turns

Material

- Housing** : Poliamide (PA6 GFR30), black
- Insert** : Poliamide (PA6 GFR30), black
- Nut** : Poliamide (PA6 GFR30), black
- Cam** : Plastic or Steel, zinc plated

Options

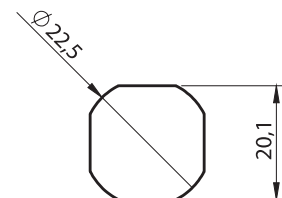
- Cams** : Page 84-85
- Keys** : Page 45

1812 - GH=15 Quarter Turn

	Insert Types	RH	LH
	Double Bit 3 mm	1812 - 101 - xxx	1811 - 101 - xxx
	Double Bit 5 mm	1812 - 102 - xxx	1811 - 102 - xxx
	Triangular 8 mm	1812 - 103 - xxx	1811 - 103 - xxx
	Triangular 9 mm	1812 - 109 - xxx	1811 - 109 - xxx
	Square 7 mm	1812 - 104 - xxx	1811 - 104 - xxx
	Square 8 mm	1812 - 105 - xxx	1811 - 105 - xxx
	Slotted	1812 - 108 - xxx	1811 - 108 - xxx
	Eastern Europe	1812 - 110 - xxx	1811 - 110 - xxx

You may chose XXX section from cam tables

Cutout



IP 65



RH

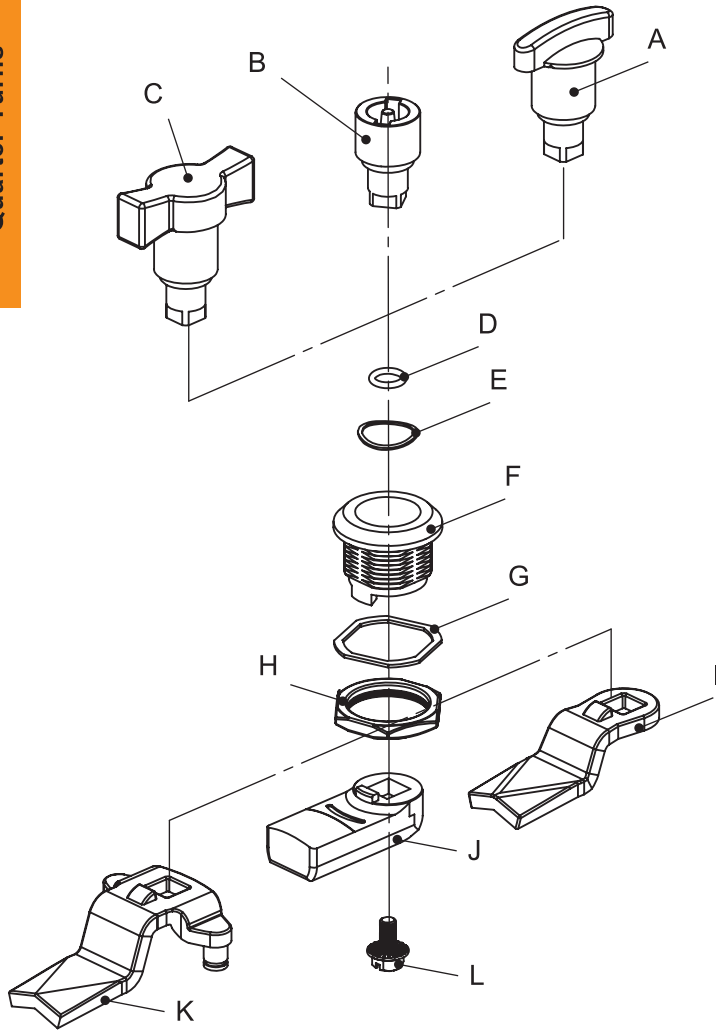
LH

RoHS

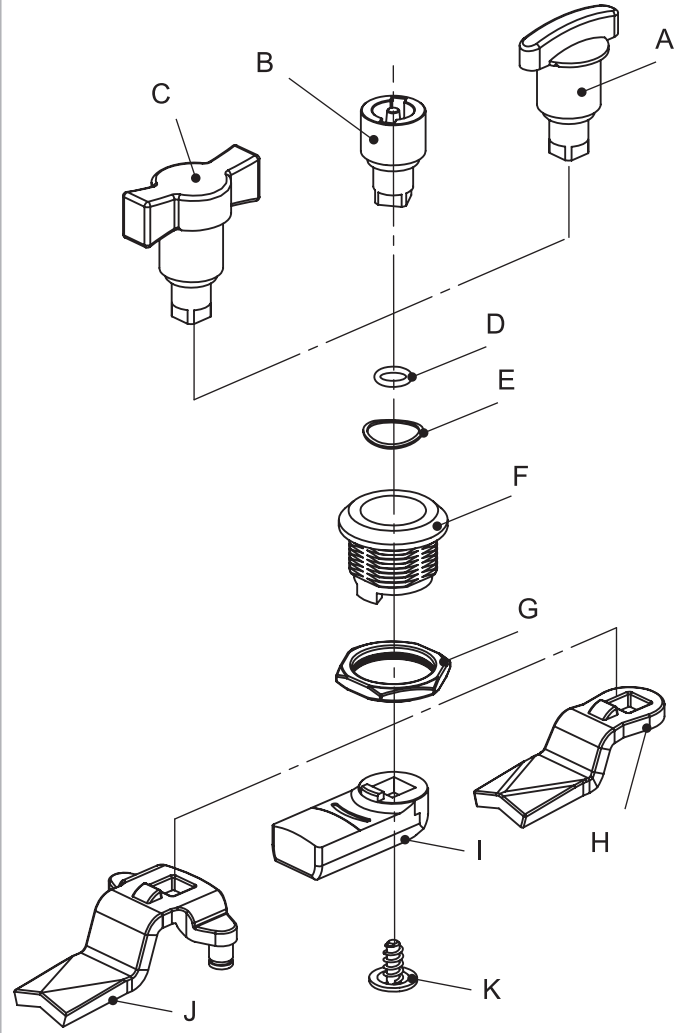
GH=18 Assembly

Quarter Turns

Zinc



Plastic

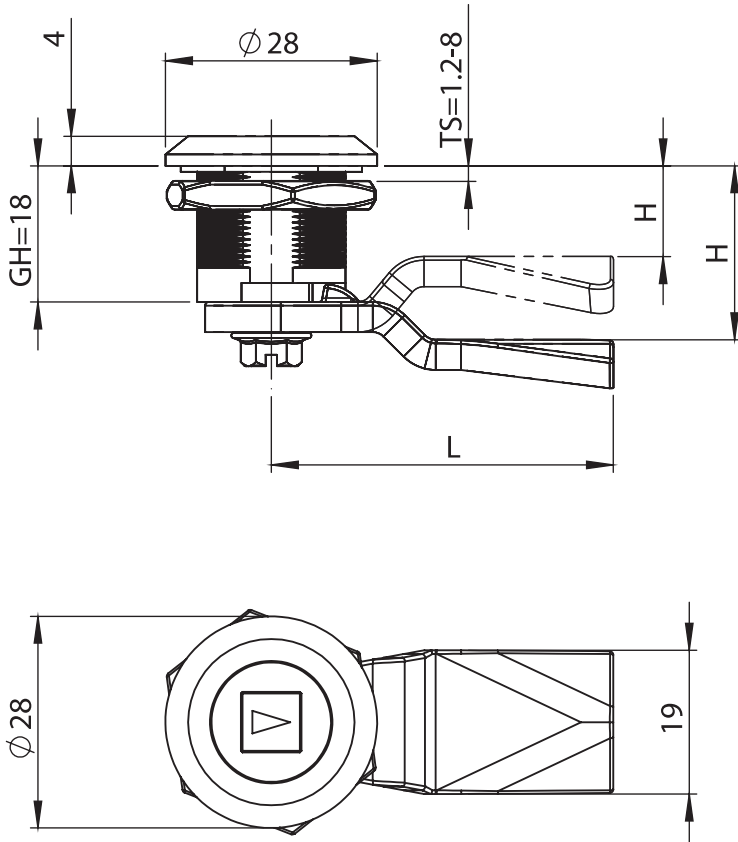


Zinc

- A : Wing Knob (Zinc Die)
- B : Insert (Zinc Die)
- C : Wing Knob (Zinc Die)
- D : O-ring
- E : Washer
- F : Housing (Zinc Die)
- G : Sealing
- H : Nut (Zinc Die)
- I : Cam (Steel)
- J : Cam (Plastic)
- K : Cam (Steel)

Plastik

- A : Wing Knob (PA)
- B : Insert (PA)
- C : Wing Knob (PA)
- D : O-ring
- E : Washer
- F : Housing (PA)
- G : Nut (PA)
- H : Cam (Steel)
- I : Cam (PA)
- J : Cam (Steel)



Quarter Turns

Material

- Housing** : Zinc die, chrome plated or black coated
- Insert** : Zinc die, chrome plated or black coated
- Nut** : Zinc die, zinc plated
- Cam** : Plastic or Steel, zinc plated

Options

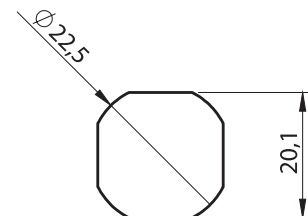
- Cams** : Page 84-85
- Keys** : Page 45

1801 - Quarter Turn with Spring

	Insert Types	Chrome Plated	Black Coated
	Double Bit 3 mm	1821 - 201 - xxx	1831 - 301 - xxx
	Double Bit 5 mm	1821 - 202 - xxx	1831 - 302 - xxx
	Triangular 8 mm	1821 - 203 - xxx	1831 - 303 - xxx
	Triangular 9 mm	1821 - 209 - xxx	1831 - 309 - xxx
	Square 7 mm	1821 - 204 - xxx	1831 - 304 - xxx
	Square 8 mm	1821 - 205 - xxx	1831 - 305 - xxx
	Slotted	1821 - 208 - xxx	1831 - 308 - xxx
	Eastern Europe	1821 - 210 - xxx	1831 - 310 - xxx

You may chose XXX section from cam tables.

Cutout

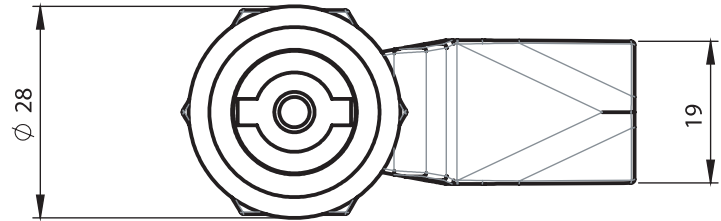
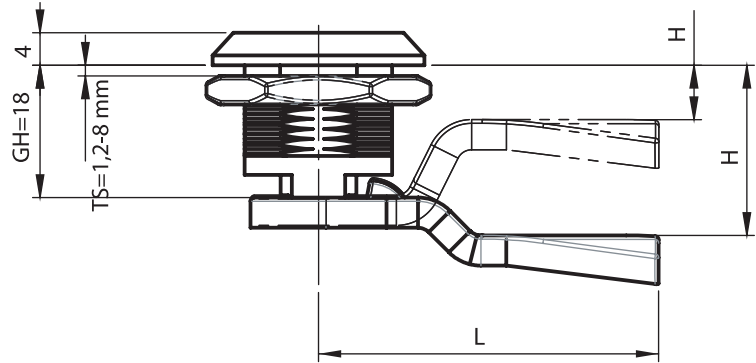


IP 65



LH/RH

RoHS



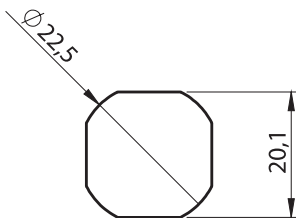
Material

- Housing** : Poliamide (PA6 GFR30), black
Zinc die, chrome plated or
black coated
- Insert** : Poliamide (PA6 GFR30), black
Zinc die, chrome plated or black
coated
- Nut** : Plastic or Zinc die, zinc plated
- Cam** : Plastic or Steel, zinc plated

Options

- Cams** : Page 84-85
- Keys** : Page 45

Cutout



1800 - GH = 18 Quarter Turn

	Insert Types	PA	Chrome Plated	Black Coated
	Double Bit 3 mm	1810 - 101 - xxx	1820 - 201 - xxx	1830 - 301 - xxx
	Double Bit 5 mm	1810 - 102 - xxx	1820 - 202 - xxx	1830 - 302 - xxx
	Triangular 8 mm	1810 - 103 - xxx	1820 - 203 - xxx	1830 - 303 - xxx
	Triangular 9 mm	1810 - 109 - xxx	1820 - 209 - xxx	1830 - 309 - xxx
	Square 7 mm	1810 - 104 - xxx	1820 - 204 - xxx	1830 - 304 - xxx
	Square 8 mm	1810 - 105 - xxx	1820 - 205 - xxx	1830 - 305 - xxx
	Slotted	1810 - 108 - xxx	1820 - 208 - xxx	1830 - 308 - xxx
	Eastern Europe	1810 - 110 - xxx	1820 - 210 - xxx	1830 - 310 - xxx

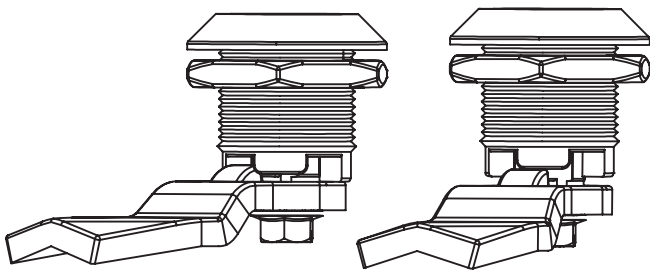
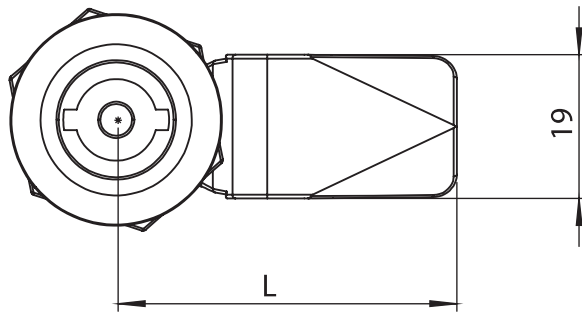
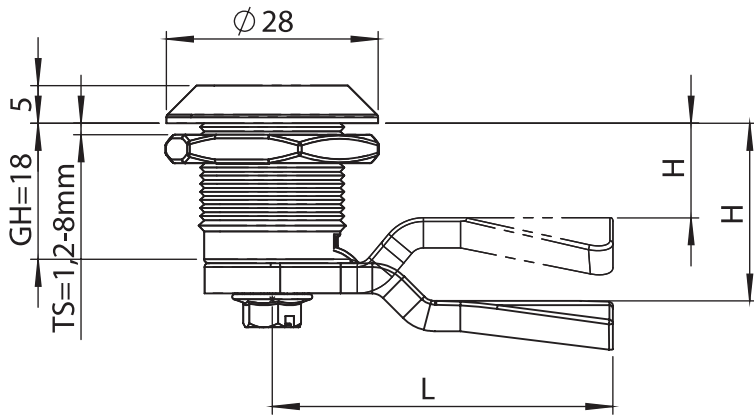
You may chose XXX section from cam tables

IP 65



LH/RH

RoHS

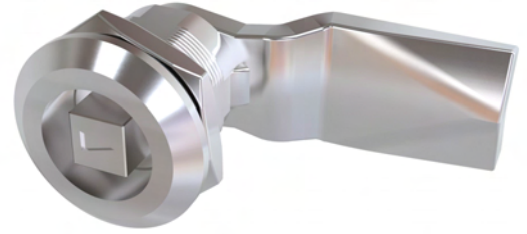


Due to the nose on the housing, for unlocking, it is necessary to push and turn the quarter turn. It cannot be open by vibration.

1842 - GH=18 Secure Quarter Turn

	Insert Types	Chrome Plated	Black Coated
	Double Bit 3 mm	1842 - 201 - xxx	1852 - 301 - xxx
	Double Bit 5 mm	1842 - 202 - xxx	1852 - 302 - xxx
	Triangular 8 mm	1842 - 203 - xxx	1852 - 303 - xxx
	Triangular 9 mm	1842 - 209 - xxx	1852 - 309 - xxx
	Square 7 mm	1842 - 204 - xxx	1852 - 304 - xxx
	Square 8 mm	1842 - 205 - xxx	1852 - 305 - xxx
	Slotted	1842 - 208 - xxx	1852 - 308 - xxx
	Eastern Europe	1842 - 210 - xxx	1852 - 310 - xxx

You may chose XXX section from cam tables



Quarter Turns

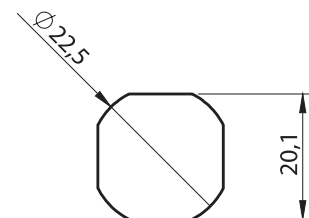
Material

- Housing** : Zinc die, chrome plated or black coated
- Insert** : Zinc die, chrome plated or black coated
- Nut** : Zinc die, zinc plated
- Cam** : Plastic or Steel, zinc plated

Options

- Cams** : Page 84-85
- Keys** : Page 45

Cutout



IP 65



LH/RH

RoHS

Quarter Turns



Material

Housing : Poliamide (PA6 GFR30), black
Zinc die, chrome plated or
black coated

Insert : Poliamide (PA6 GFR30), black
PA over Zinc die

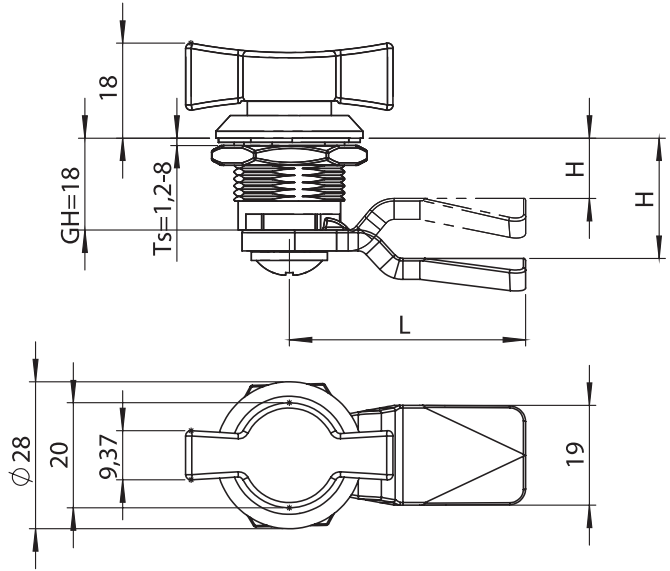
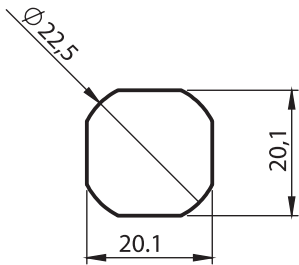
Nut : Plastic or Zinc die, zinc plated

Cam : Plastic or Steel, zinc plated

Options

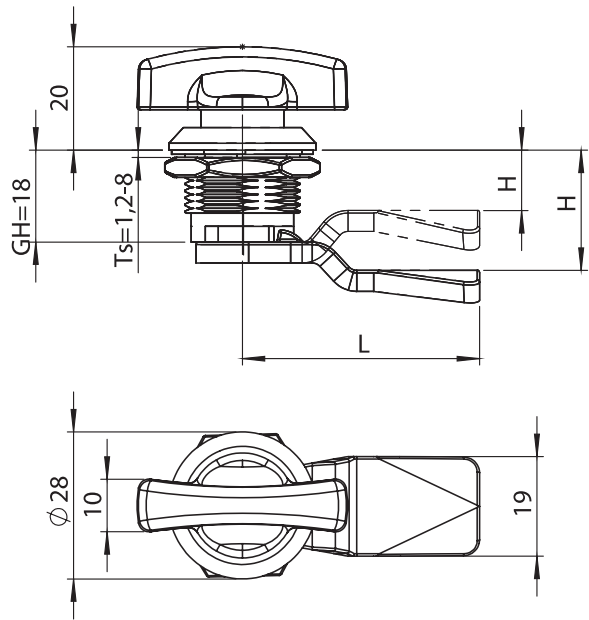
Cams : Page 84-85

Cutout



A Type

Housing: PA	Housing : PA	Housing: Zinc Die, black coated
Wing Knob: PA	Wing Knob: PA over Zinc Die	Wing Knob: PA over Zinc Die
1001 - 200	1001 - 220	1011 - 320



1011 - GH=18 Wing Knob Quarter Turn

	PA	Zinc Die, Chrome Plated	Zinc Die, Black Coated
B Type	1071 - 200 - xxx	1075 - 310 - xxx	1075 - 320 - xxx

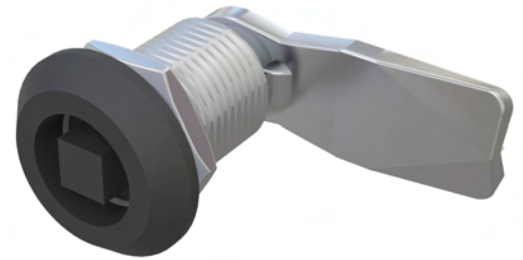
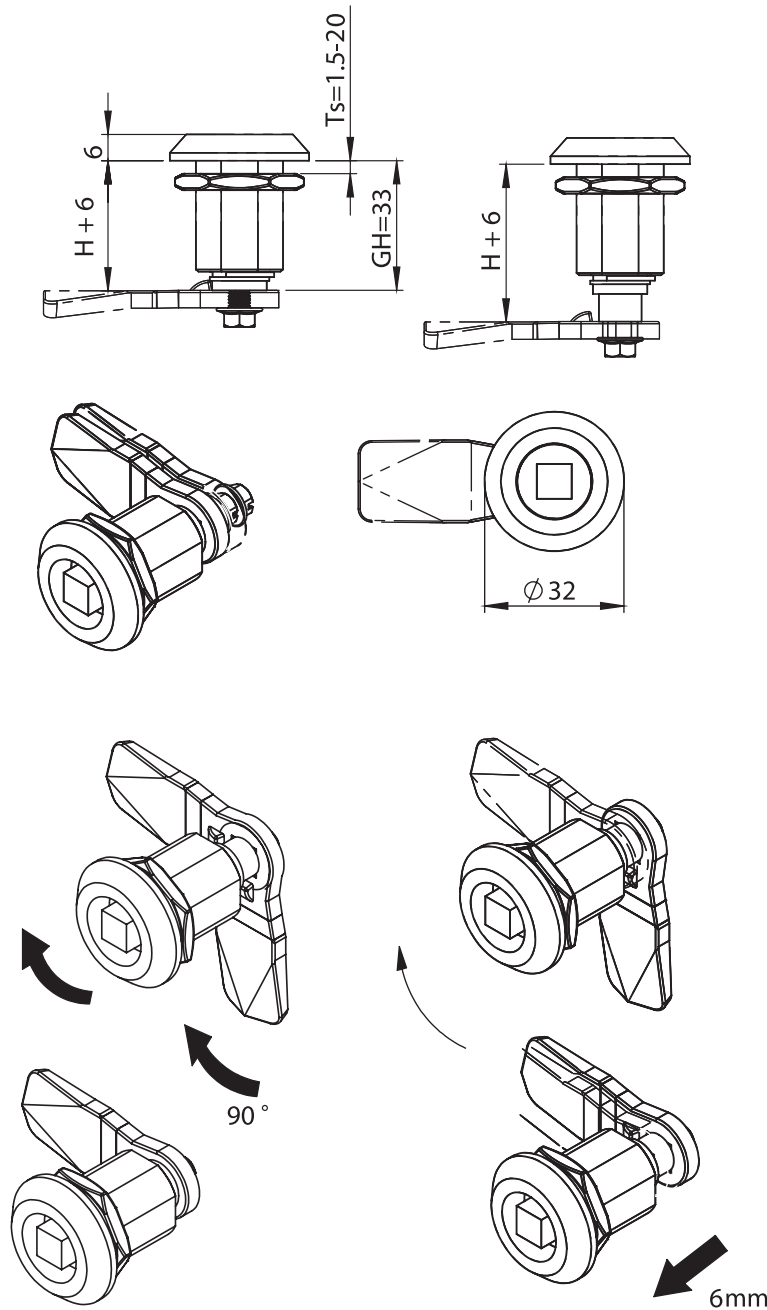
You may chose XXX section from cam tables

IP 65



LH/RH

RoHS



Quarter Turns

Material

- Housing** : Zinc die, chrome plated or black coated
- Insert** : Zinc die, chrome plated or black coated
- Nut** : Zinc die, zinc plated
- Cam** : Plastic or Steel, zinc plated

Options

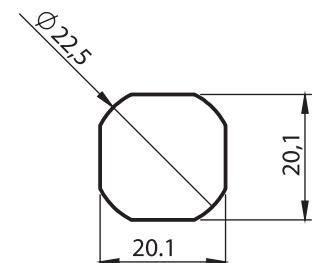
- Cams** : Page 84-85
- Keys** : Page 45

1044 - GH=33 Compression Latch

	Insert Types	Chrome Plated	Black Coated
	Double Bit 3 mm	1044 - 201 - xxx	1044 - 301 - xxx
	Double Bit 5 mm	1044 - 202 - xxx	1044 - 302 - xxx
	Triangular 8 mm	1044 - 203 - xxx	1044 - 303 - xxx
	Triangular 9 mm	1044 - 209 - xxx	1044 - 309 - xxx
	Square 7 mm	1044 - 204 - xxx	1044 - 304 - xxx
	Square 8 mm	1044 - 205 - xxx	1044 - 305 - xxx
	Slotted	1044 - 208 - xxx	1044 - 308 - xxx
	Eastern Europe	1044 - 210 - xxx	1044 - 310 - xxx

You may chose XXX section from cam tables

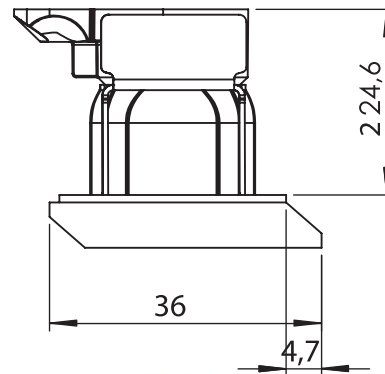
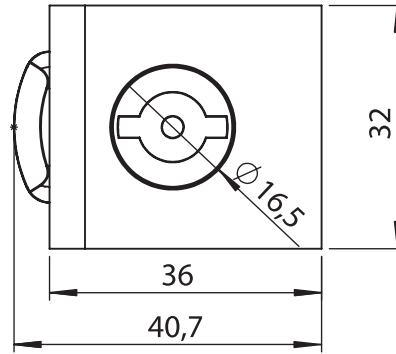
Cutout



IP 65

LH/RH

RoHS



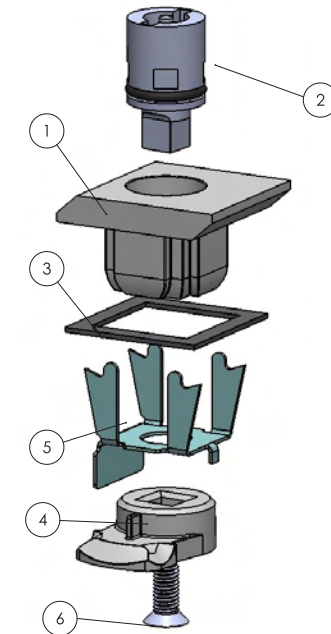
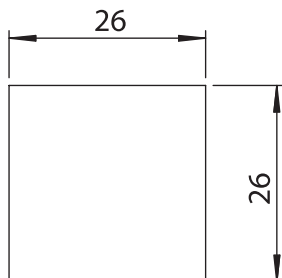
Material

Housing : Poliamide (PA6 GFR30), black
Insert : Zinc die, raw
Cam : Zinc die, raw or steel, zinc plated

Options

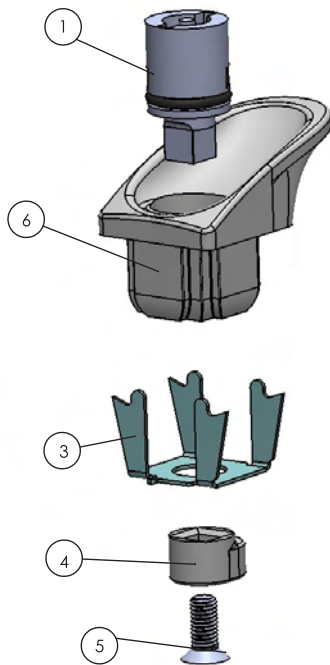
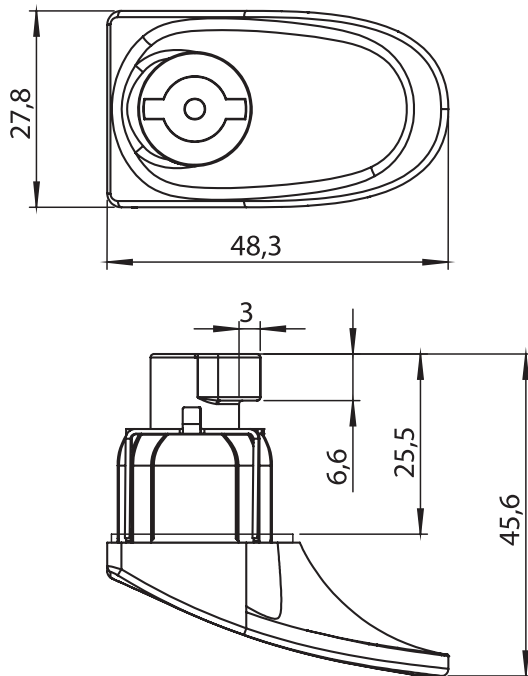
Please contact with ELKOMSAN for your different cam requests.

Cutout



1370 - GH=16 Quarter Turn

	Insert Types	Item Number
	Double Bit 3 mm	1370 - 201 - 100
	Double Bit 5 mm	1370 - 202 - 100
	Triangular 8 mm	1370 - 203 - 100
	Triangular 9 mm	1370 - 209 - 100
	Square 7 mm	1370 - 204 - 100
	Square 8 mm	1370 - 205 - 100
	Slotted	1370 - 208 - 100



1380 - GH=16 Quarter Turn

	Insert Types	Item Number
	Double Bit 3 mm	1380 - 201 - 100
	Double Bit 5 mm	1380 - 202 - 100
	Triangular 8 mm	1380 - 203 - 100
	Triangular 9 mm	1380 - 209 - 100
	Square 7 mm	1380 - 204 - 100
	Square 8 mm	1380 - 205 - 100
	Slotted	1380 - 208 - 100



Quarter Turns

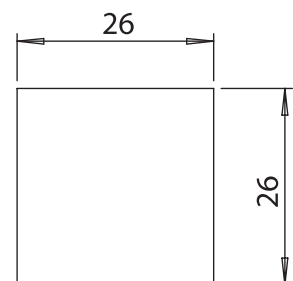
Material

Housing : Poliamide (PA6 GFR30), black
Insert : Zinc die, raw
Cam : Zinc die, raw or steel, zinc plated

Options

Please contact with ELKOMSAN for your different cam requests.

Cutout

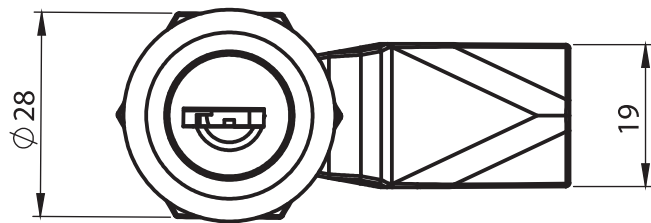
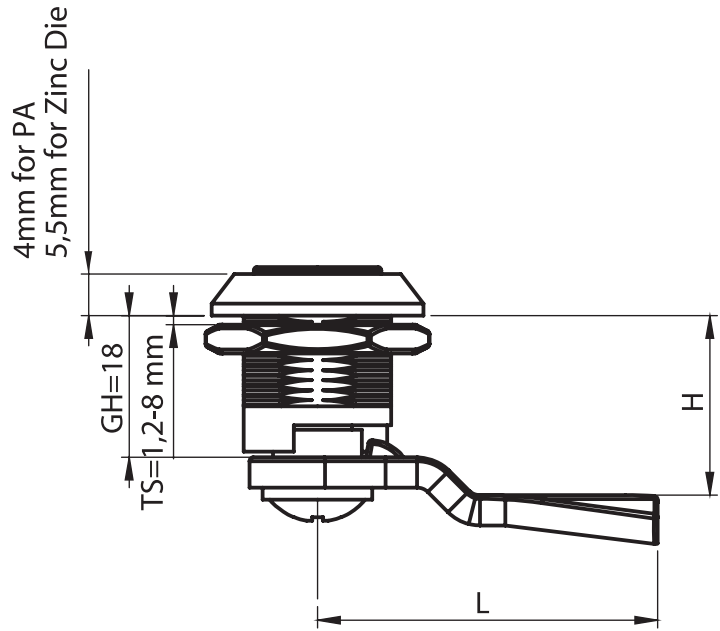


LH/RH

RoHS

IP 55

IP 65



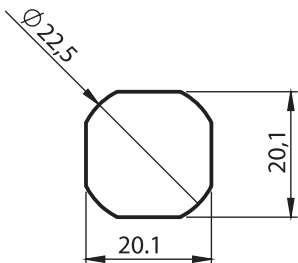
Material

- Housing** : Poliamide (PA6 GFR30), black
Zinc die, chrome plated or
black coated
- Nut** : Plastic or Zinc die, zinc plated
- Cam** : Plastic or Zinc die, zinc plated

Options

Cams : Page 84-85

Cutout



1001 - GH=18 Quarter Turn with Cylinder

	PA	Zinc Die Chrome Plated	Zinc Die Black Coated
Keyed 3333	1001 - 900 - xxx	1011 - 910 - xxx	1011 - 920 - xxx
Keyed Same	1001 - 907 - xxx	1011 - 917 - xxx	1011 - 927 - xxx
Keyed Differ	1001 - 909 - xxx	1011 - 919 - xxx	1011 - 929 - xxx
Keyed Differ with Master Key	1001 - 908 - xxx	1011 - 918 - xxx	1011 - 928 - xxx

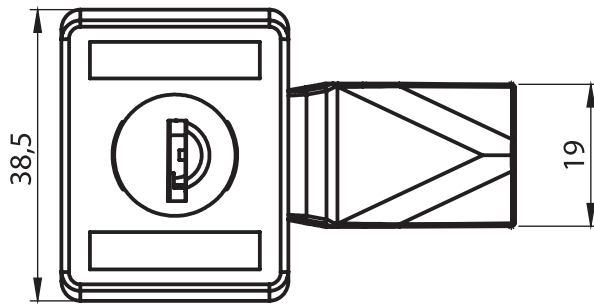
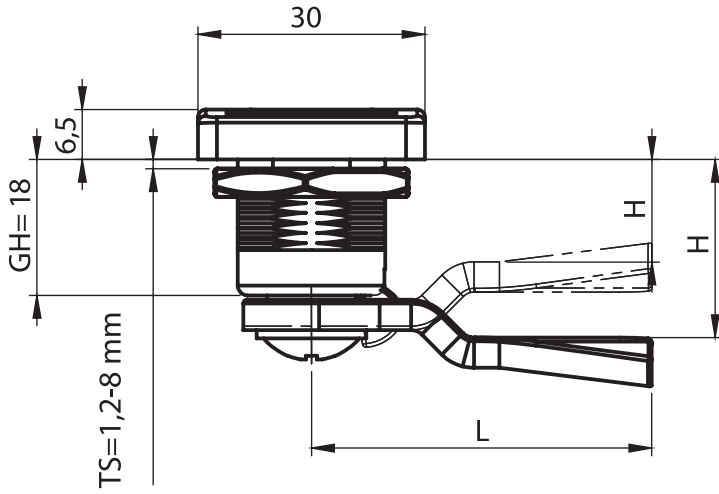
You may chose XXX section from cam tables

IP 44



LH/RH

RoHS



1003 - GH=18 Quarter Turn with Cylinder

	PA
Keyed 3333	1003 - 900 - xxx
Keyed Same	1003 - 907 - xxx
Keyed Differ	1003 - 909 - xxx
Keyed Differ with Master Key	1003 - 908 - xxx

You may chose XXX section from cam tables



Quarter Turns

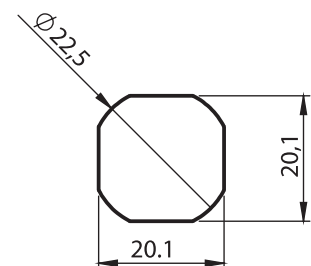
Material:

Housing : Poliamide (PA6 GFR30), black
Nut : Poliamide (PA6 GFR30), black
Cam : Plastic or Steel, zinc plated

Options

Cams : Page 84-85

Cutout



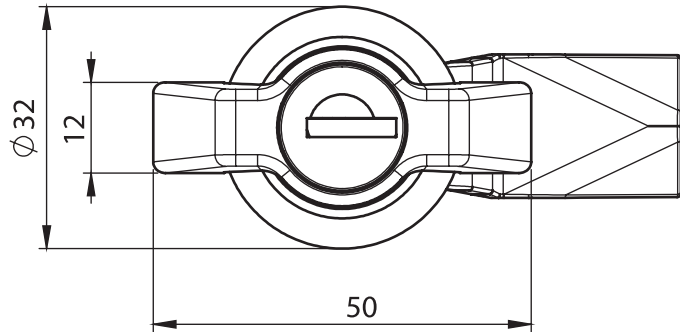
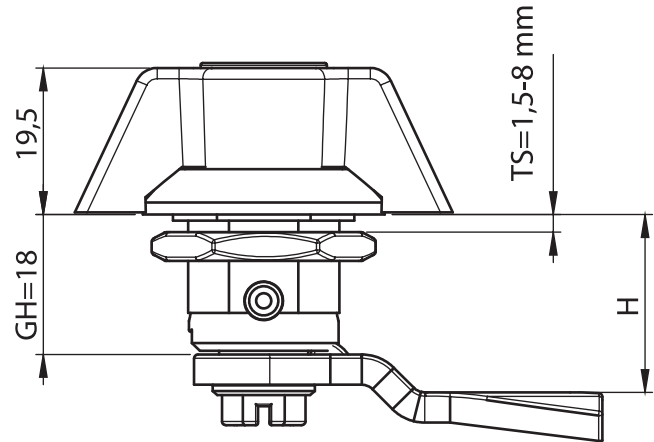
IP 44



LH/RH

RoHS

Quarter Turns



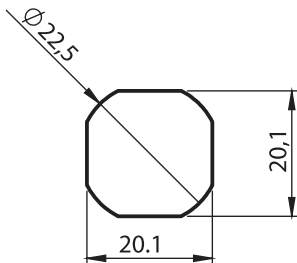
Material

- Housing** : Zinc die, chrome plated or black coated
- Wing Knob** : Zinc die, chrome plated, black coated or PA over Zinc Die
- Nut** : Zinc die, zinc plated
- Cam** : Plastic or Steel, zinc plated

Options

Cams : Page 84-85

Cutout



1015 - GH=18 Wing Knob with Cylinder

	PA over Zinc Die	Chrome Plated	Black Coated
Unlocking	1015-100 - xxx	1015 - 210 - xxx	1015 - 220 - xxx
Keyed 3333	1015-900 - xxx	1015 - 910 - xxx	1015 - 920 - xxx
Keyed Differ	1015-909 - xxx	1015 - 919 - xxx	1015 - 929 - xxx

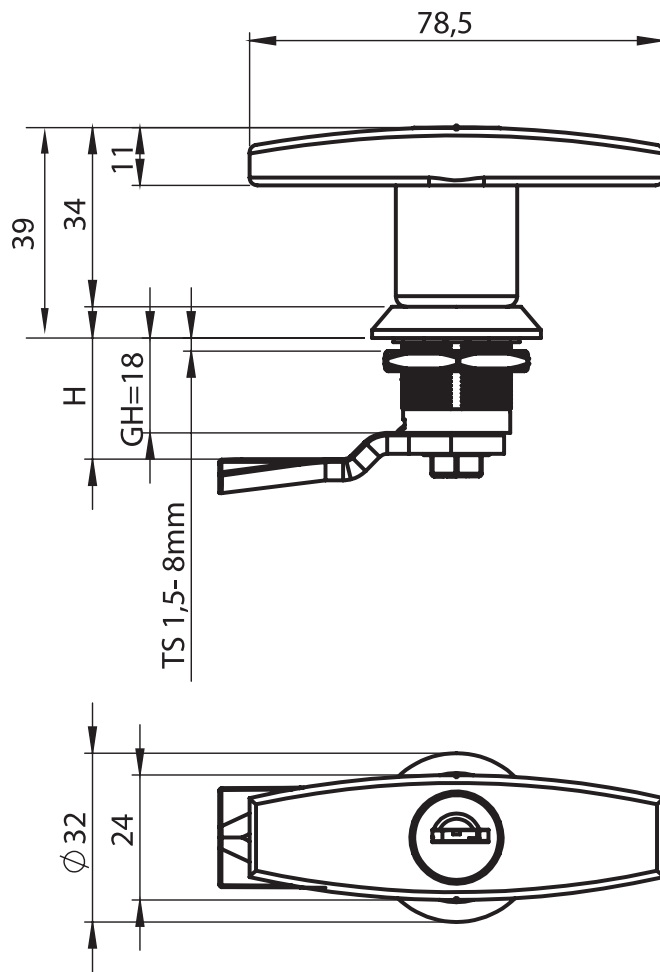
You may chose XXX section from cam tables

IP 65



LH/RH

RoHS



Quarter Turns

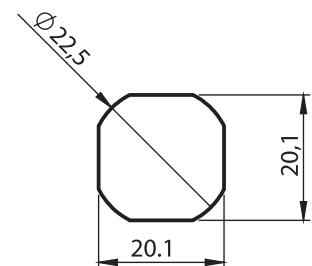
Material

- Housing** : Zinc die, chrome plated or black coated
- Insert** : Zinc die, chrome plated or black coated
- Nut** : Zinc die, zinc plated
- Cam** : Plastic or Steel, zinc plated

Options

Cams : Page 84-85

Cutout



1201 - GH=18 T handle Quarter Turn

	Krom Kaplı	Siyah Boyalı
Unlocking	1201 - 200 - xxx	1201 - 100 - xxx
Keyed 3333	1201 - 203 - xxx	1201 - 103 - xxx
Keyed Differ	1201 - 209 - xxx	1201 - 109 - xxx

You may chose XXX section from cam tables

IP 65



LH/RH

RoHS



Material

Housing : Zinc die, chrome plated or black coated

L Handle : Zinc die, chrome plated, black coated

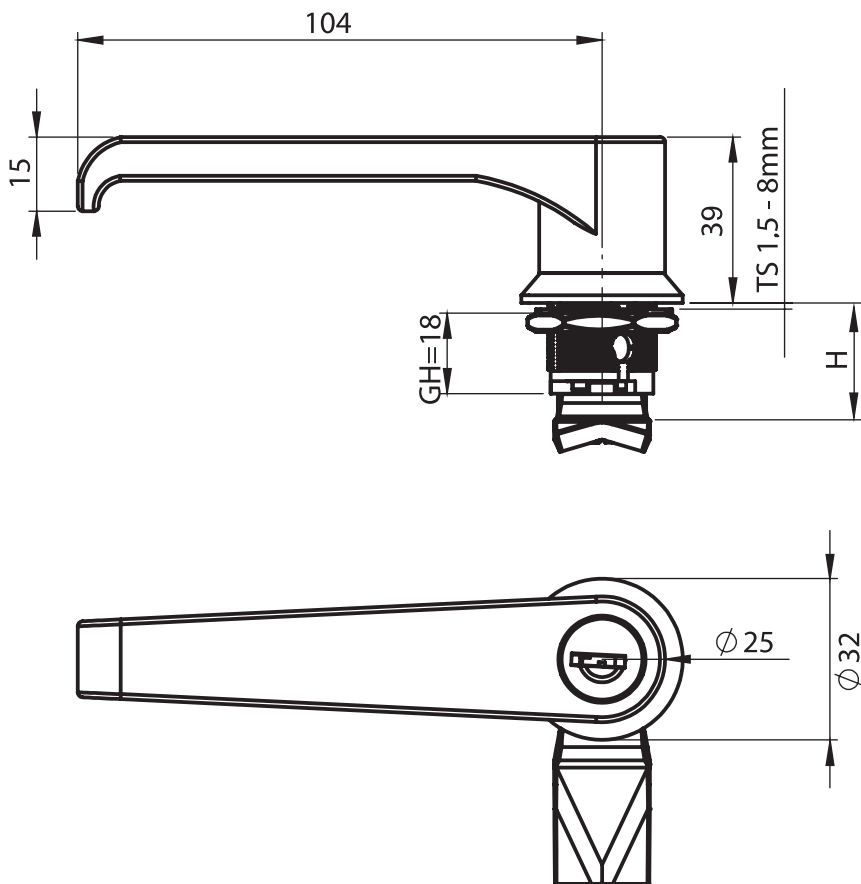
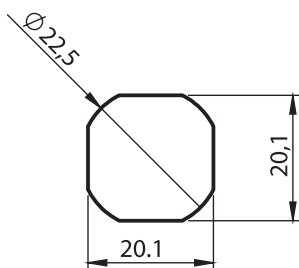
Nut : Zinc die, zinc plated

Cam : Plastic or Steel, zinc plated

Options

Cams : Page 84-85

Cutout



1205 - GH=18 L handle Quarter Turn

	Chrome Plated	Black Coated
Unlocking	1205 - 200 - xxx	1205 - 100 - xxx
Keyed 3333	1205 - 203 - xxx	1205 - 103 - xxx
Keyed Differ	1205 - 209 - xxx	1205 - 109 - xxx

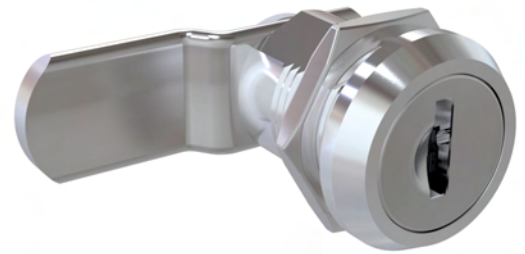
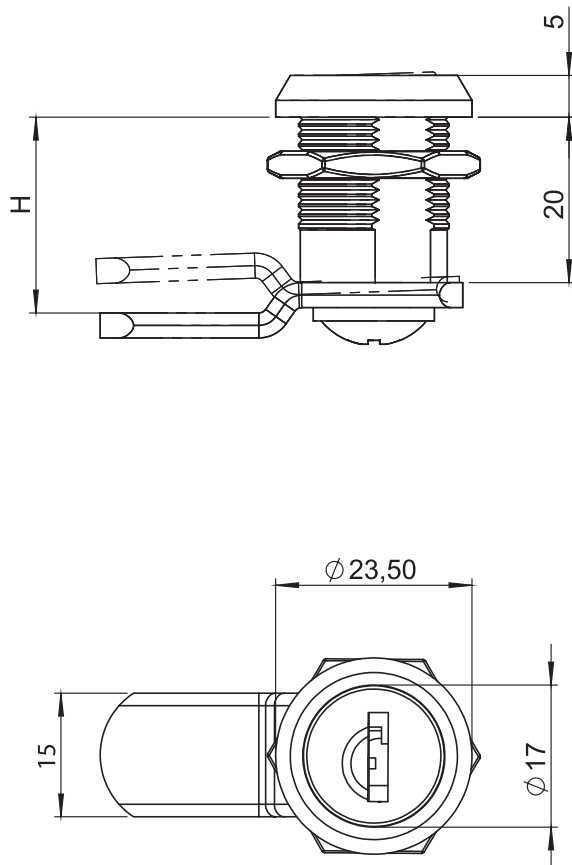
You may chose XXX section from cam tables

IP 65



LH/RH

RoHS



Quarter Turns

Material

- Housing** : Zinc die, chrome plated or black coated
- Nut** : Zinc die, zinc plated
- Cam** : Steel, zinc plated

Options

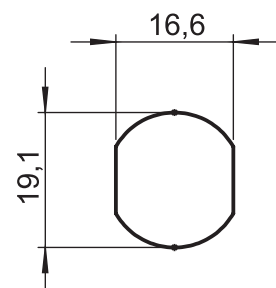
- Cams** : Page 84-85

1004 - GH=20 Quarter Turn with Cylinder

	Chrome Plated	Black Coated
Keyed 3333	1004 - 910 - xxx	1004 - 920 - xxx
Keyed Same	1004 - 917 - xxx	1004 - 927 - xxx
Keyed Differ with Master System	1004 - 918 - xxx	1004 - 928 - xxx

You may chose XXX section from cam tables

Cutout

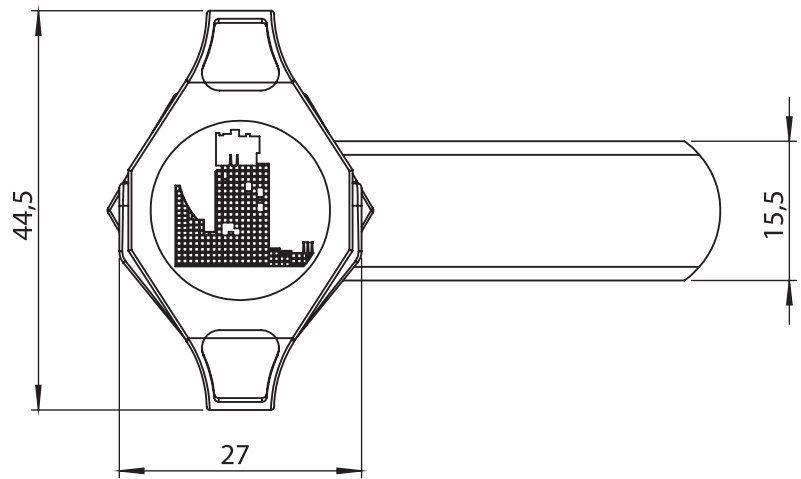
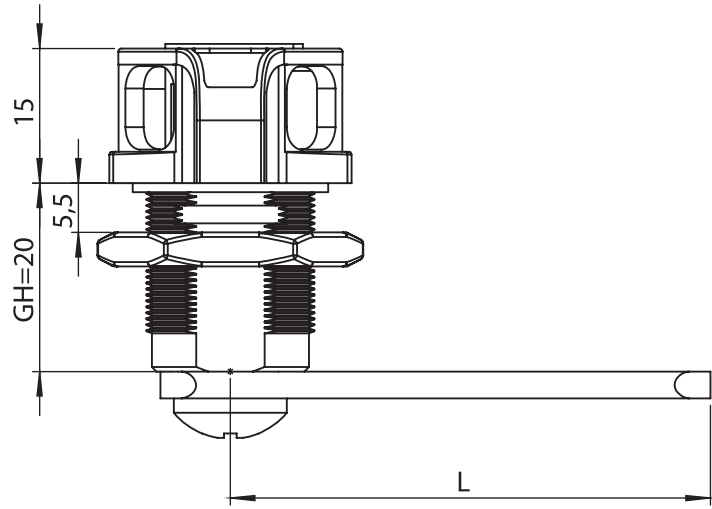
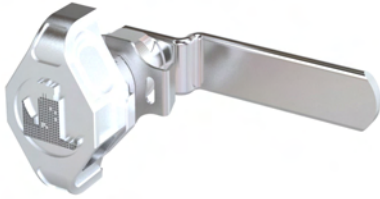


IP 44



LH/RH

RoHS



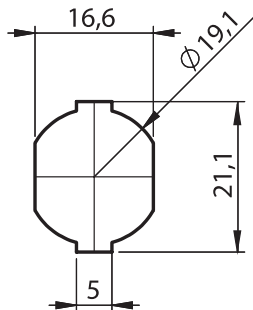
Material

- Wing Knob** : Zinc Die, chrome plated
- Housing** : Zinc Die, zinc plated
- Nut** : Zinc Die, zinc plated
- Spring** : Spring Steel

Options

Cams : Page 85

Cutout



Spring

1100 - GH=18 Quarter Turn with Padlock

	Assembled with Nut	Assembled with Spring
RH	1100 - 100 - xxx	1100 - 200 - xxx
LH	1100 - 101 - xxx	1100 - 201 - xxx

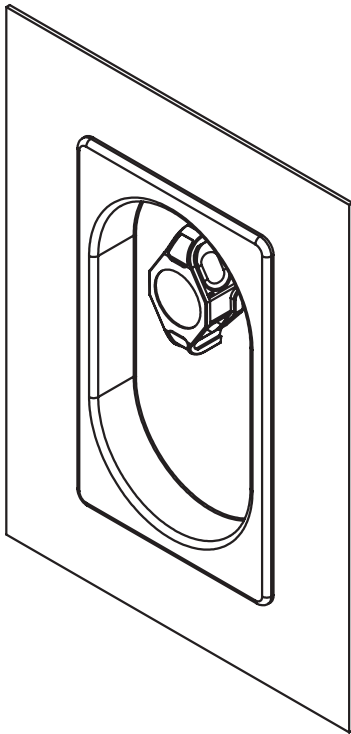
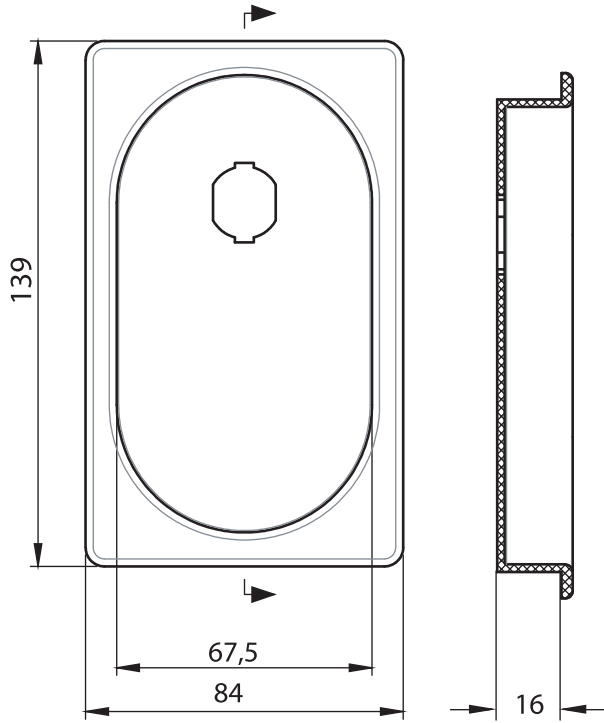
You may chose XXX section from Table 7 in cam pages.

IP 65

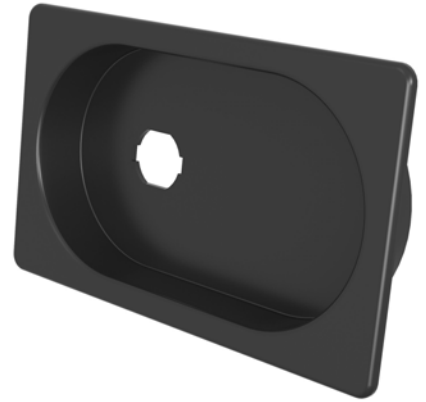
RH

LH

RoHS



Item Number	7202 - 001
-------------	------------

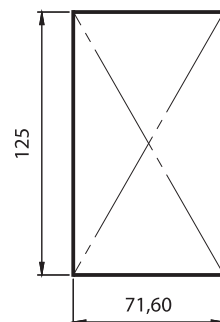


Quarter Turns

Material

Dish : Polystrene , black

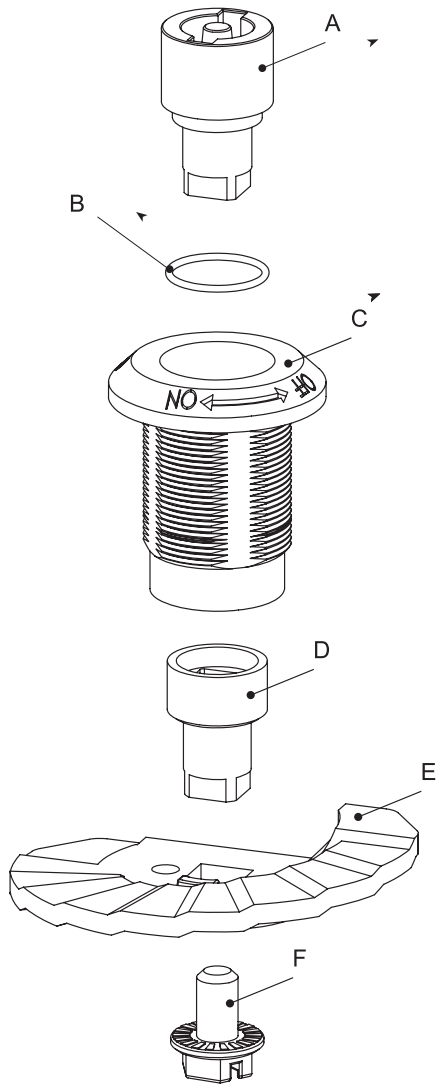
Cutout



RoHS

Assembly

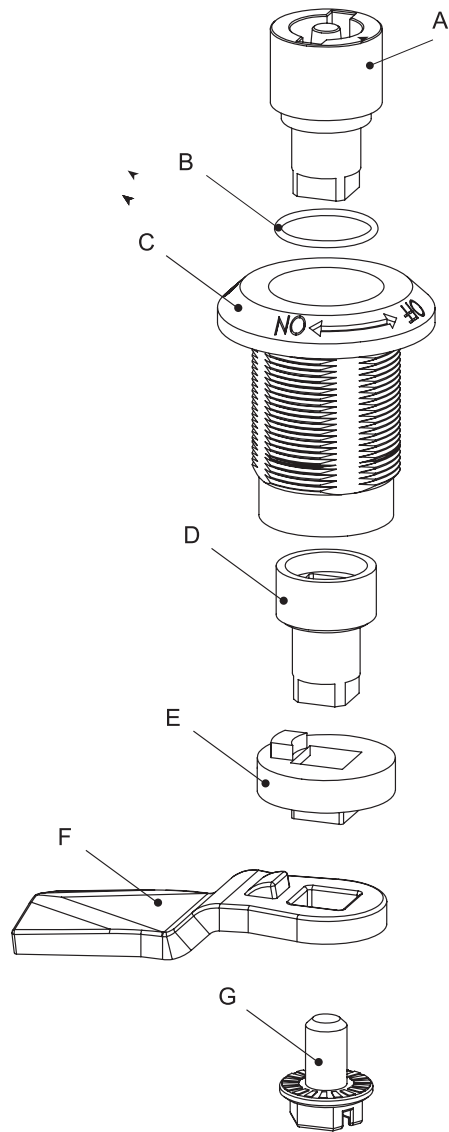
1020



1020

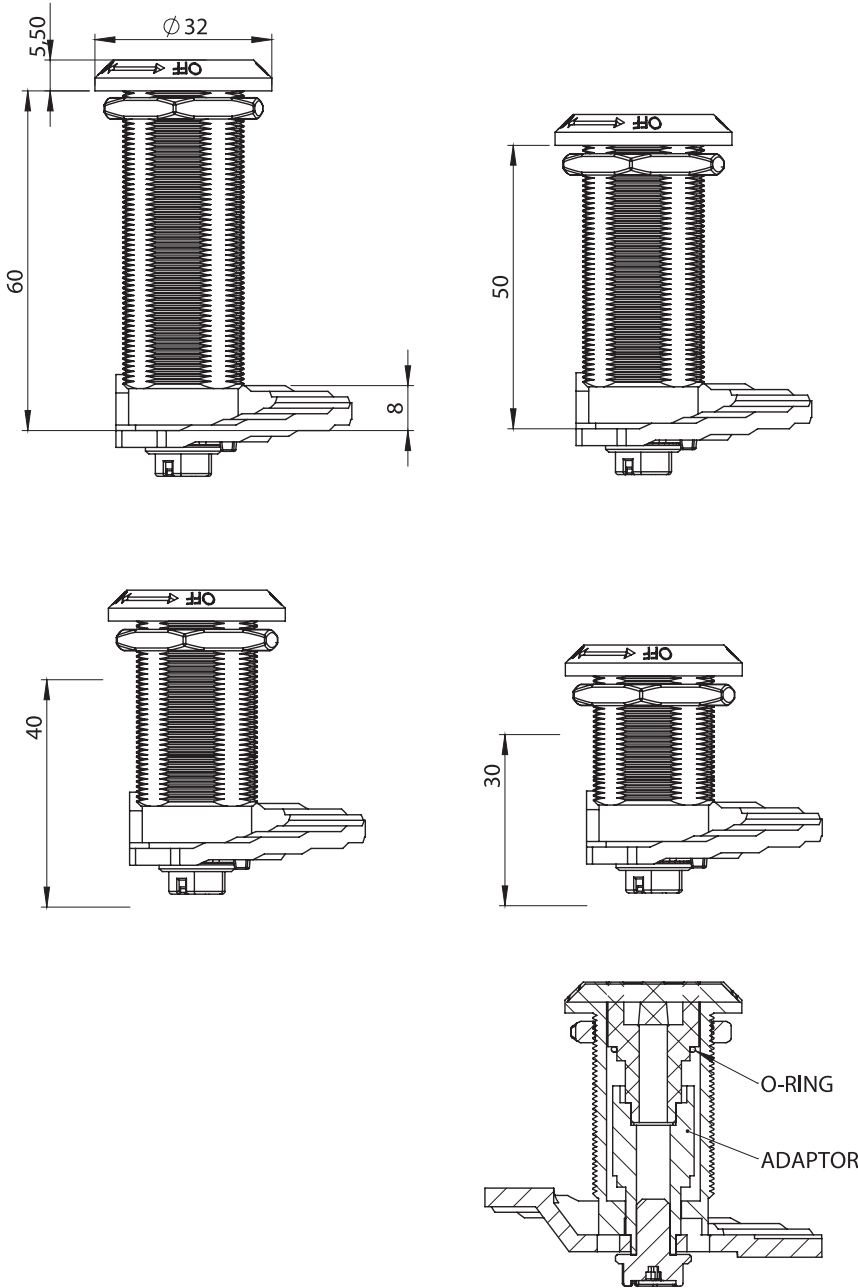
- A : Insert (Zinc Die)
- B : Oring
- C : Housing (Zinc Die)
- D : Adapter (Zinc Die)
- E : Stepped Cam (Zinc Die)
- F : Screw

1120



1120

- A : Insert (Zinc Die)
- B : Oring
- C : Housing
- D : Adapter
- E : Adapter
- F : Cam (Steel)
- G : Screw



Quarter Turns

Material

- Housing** : Zinc die, chrome plated or black coated
- Insert** : Zinc die, chrome plated or black coated
- Nut** : Zinc die, zinc plated

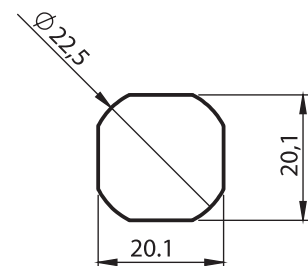
Options

Keys : Page 45

1020 - Stepped Quarter Turn

	Insert Types	GH=30	GH=40	GH=50	GH=60
	Double Bit 3 mm	1023 - 201	1024 - 201	1025 - 201	1026 - 201
	Double Bit 5 mm	1023 - 202	1024 - 202	1025 - 202	1026 - 202
	Triangular 8 mm	1023 - 203	1024 - 203	1025 - 203	1026 - 203
	Triangular 9 mm	1023 - 209	1024 - 209	1025 - 209	1026 - 209
	Square 7 mm	1023 - 204	1024 - 204	1025 - 204	1026 - 204
	Square 8 mm	1023 - 205	1024 - 205	1025 - 205	1026 - 205
	Slotted	1023 - 208	1024 - 208	1025 - 208	1026 - 208
	Eastern Europe	1023 - 210	1024 - 210	1025 - 210	1026 - 210

Cutout



IP 65



LH/RH

RoHS



Quarter Turns

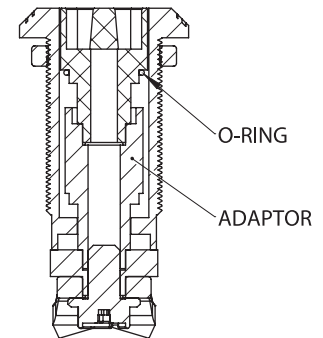
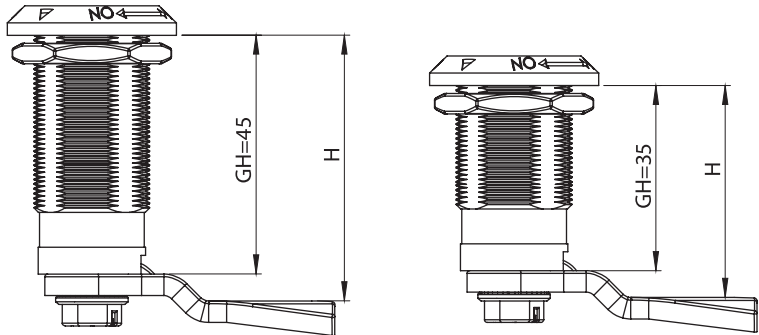
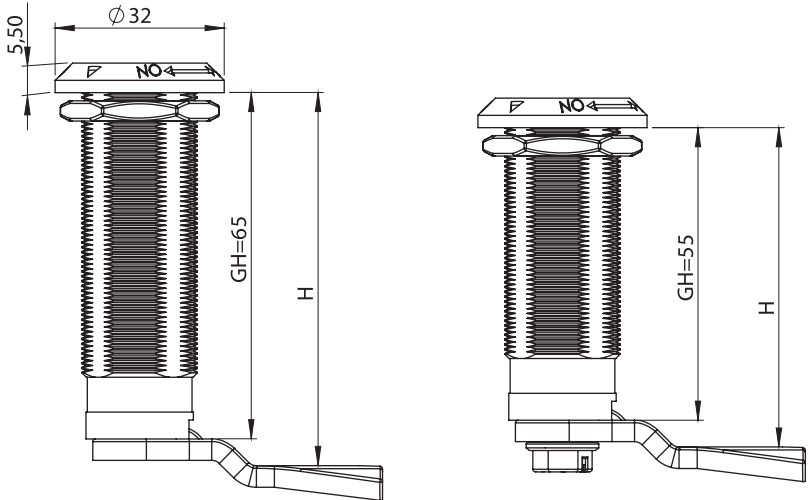
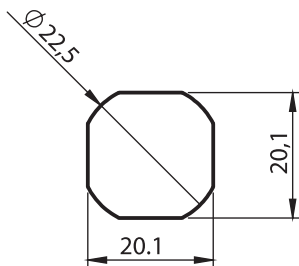
Material

- Housing** : Zinc die, chrome plated or black coated
- Insert** : Zinc die, chrome plated or black coated
- Nut** : Zinc die, zinc plated

Options

- Cams** : Page 84-85
- Keys** : Page 45

Cutout



1120 - Quarter Turn

	Göbek Tipleri	GH=35	GH=45	GH=55	GH=65
	Double Bit 3 mm	1123 - 201 - xxx	1124 - 201 - xxx	1125 - 201 - xxx	1126 - 201 - xxx
	Double Bit 5 mm	1123 - 202 - xxx	1124 - 202 - xxx	1125 - 202 - xxx	1126 - 202 - xxx
	Triangular 8 mm	1123 - 203 - xxx	1124 - 203 - xxx	1125 - 203 - xxx	1126 - 203 - xxx
	Triangular 9 mm	1123 - 209 - xxx	1124 - 209 - xxx	1125 - 209 - xxx	1126 - 209 - xxx
	Square 7 mm	1123 - 204 - xxx	1124 - 204 - xxx	1125 - 204 - xxx	1126 - 204 - xxx
	Square 8 mm	1123 - 205 - xxx	1124 - 205 - xxx	1125 - 205 - xxx	1126 - 205 - xxx
	Slotted	1123 - 208 - xxx	1124 - 208 - xxx	1125 - 208 - xxx	1126 - 208 - xxx
	Eastern Europe	1123 - 210 - xxx	1124 - 210 - xxx	1125 - 210 - xxx	1126 - 210 - xxx

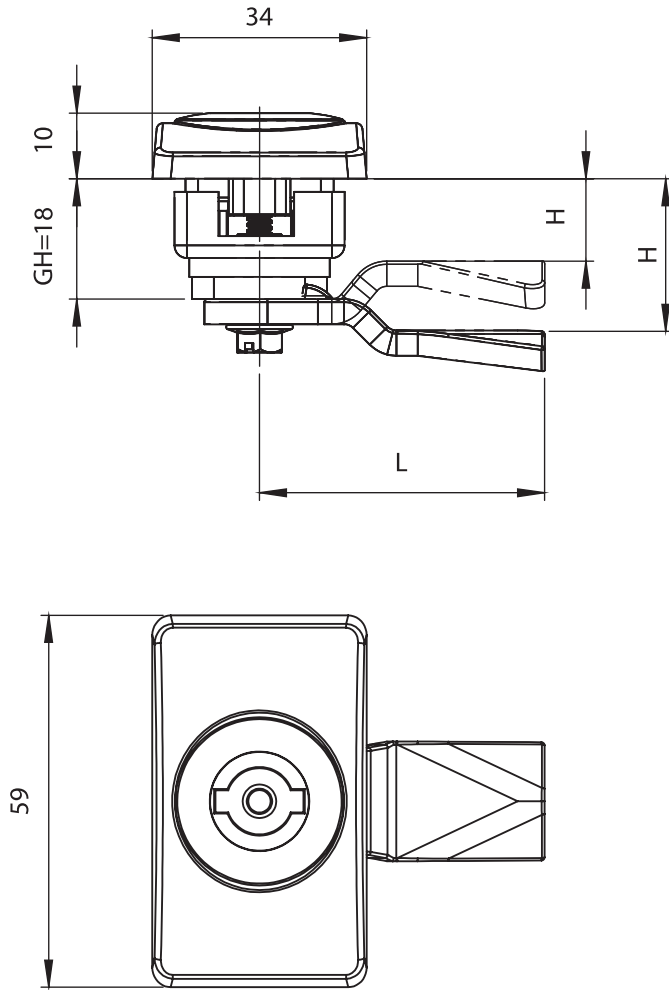
You may chose XXX section from cam tables

IP 65



LH/RH

RoHS



2810 - Quarter Turn

	Göbek Tipleri	Ürün Kodu
	Double Bit 3 mm	2810 - 201 - xxx
	Double Bit 5 mm	2810 - 202 - xxx
	Triangular 8 mm	2810 - 203 - xxx
	Triangular 9 mm	2810 - 209 - xxx
	Square 7 mm	2810 - 204 - xxx
	Square 8 mm	2810 - 205 - xxx
	Slotted	2810 - 208 - xxx
	Eastern Europe	2810 - 210 - xxx

You may chose XXX section from cam tables



Quarter Turns

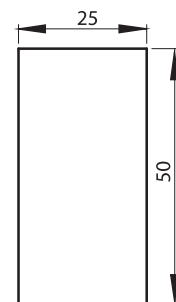
Material

Housing : Poliamide (PA6 GFR30), black
Insert : Zinc die, chrome plated
Cam : Plastic or Steel, zinc plated

Options

Cams : Page 84-85
Keys : Page 45

Cutout



IP 65



LH/RH



RoHS



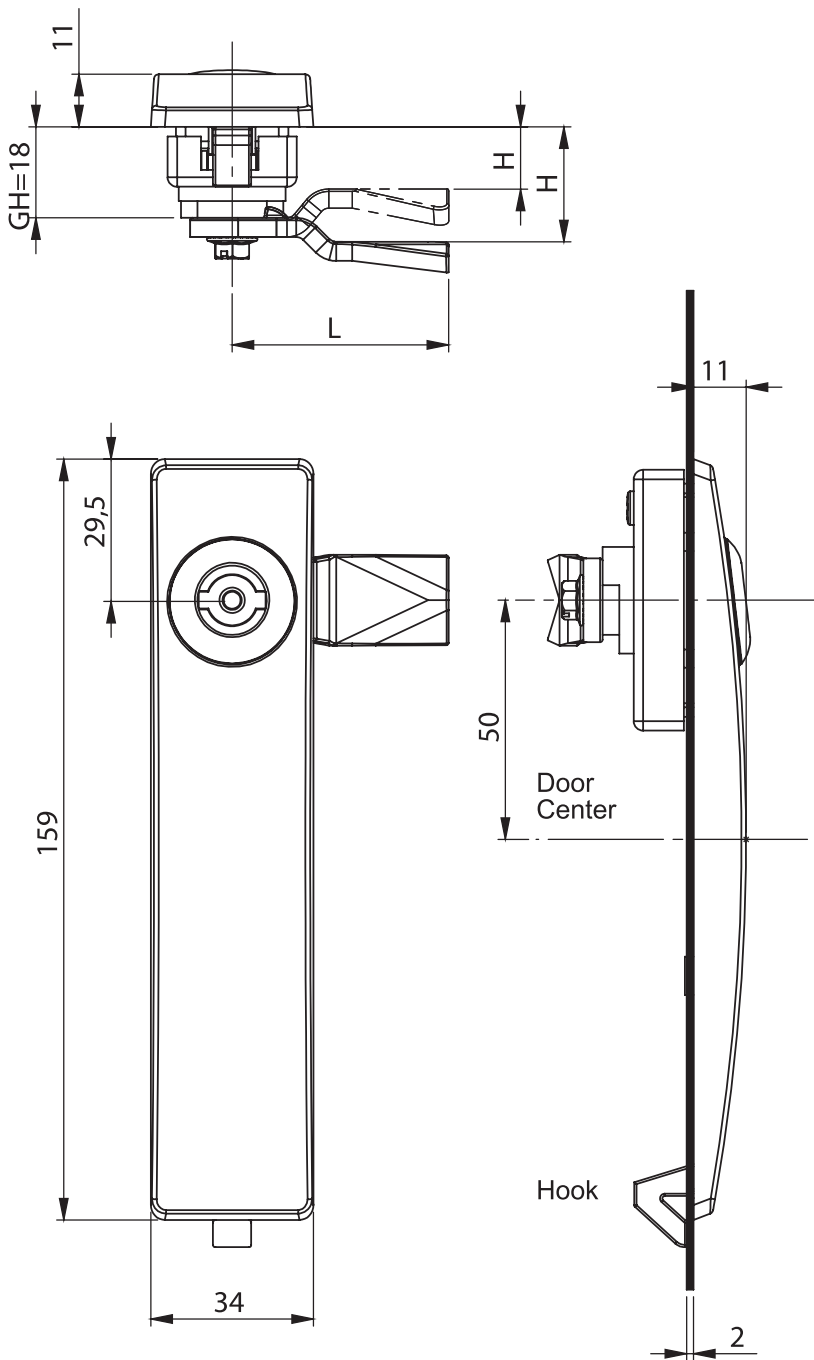
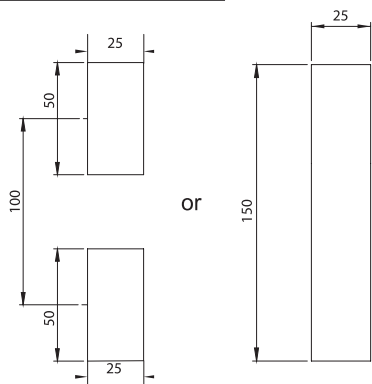
Material

Housing : Poliamide (PA6 GFR30), black
Insert : Zinc die, chrome plated
Cam : Plastic or Steel, zinc plated

Options

Cams : Page 84-85
Keys : Page 45

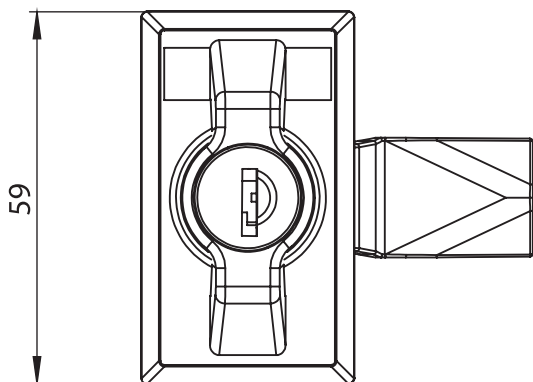
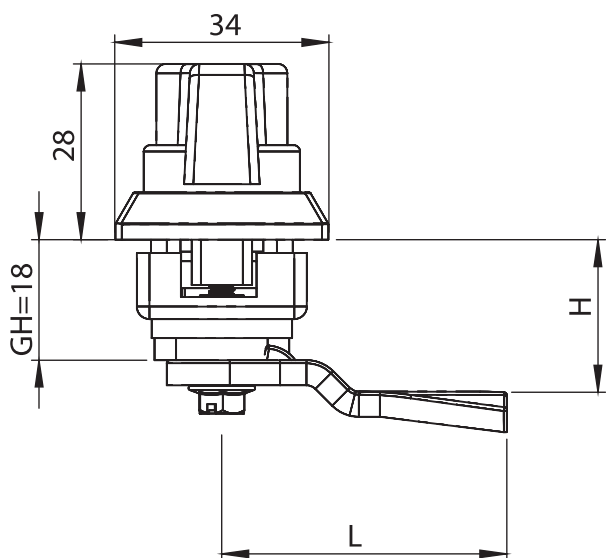
Cutout



2840 - Quarter Turn

	Insert Types	Item Number
	Double Bit 3 mm	2840 - 201 - xxx
	Double Bit 5 mm	2840 - 202 - xxx
	Triangular 8 mm	2840 - 203 - xxx
	Triangular 9 mm	2840 - 209 - xxx
	Square 7 mm	2840 - 204 - xxx
	Square 8 mm	2840 - 205 - xxx
	Slotted	2840 - 208 - xxx
	Eastern Europe	2840 - 210 - xxx

You may chose XXX section from cam tables



2850 - Quarter Turn Wing Knob

	Item Number
Keyed 3333	2850 - 300 - xxx
Keyed Same	2850 - 303 - xxx
Keyed Differ	2850 - 309 - xxx

You may chose XXX section from cam tables



Quarter Turns

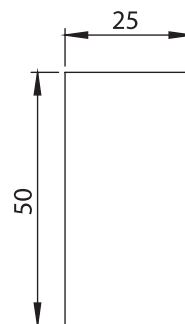
Material

Housing : Poliamide (PA6 GFR30), black
Wing Knob : Zinc die, chrome plated
Cam : Plastic or Steel, zinc plated

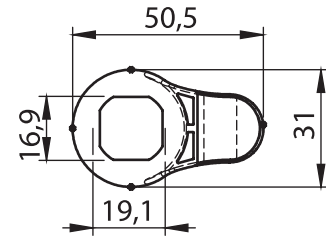
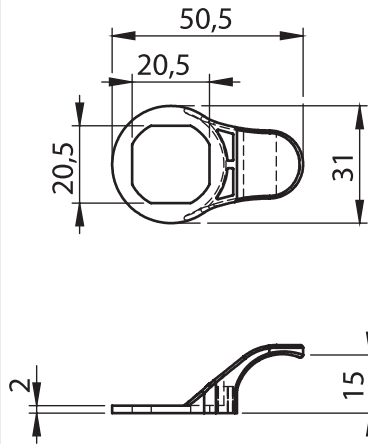
Options

Cams : Page 84-85

Cutout



7203
Finger Pull

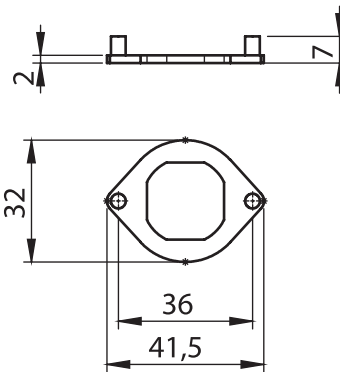


7203 - Fingerpull

Item Number	Applicable Cutouts
7203 - 001	20,1 x 22,5
7203 - 002	14,1 x 16,3 19,1 x 16,6

Quarter Turns

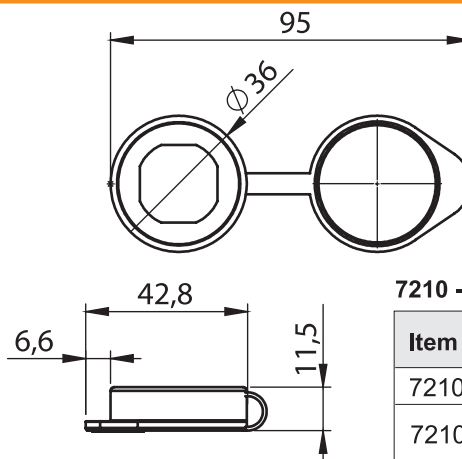
2900 - 407
Fixing Adapter



2900-407 - Sabitleyici

Item Number	Applicable Cutouts
2900 - 407	

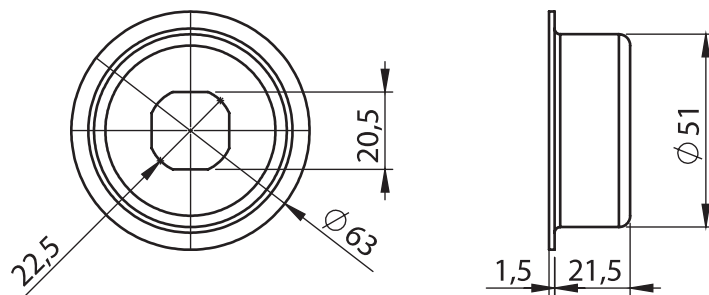
7210
Dust Cap



7210 - Dust Cap

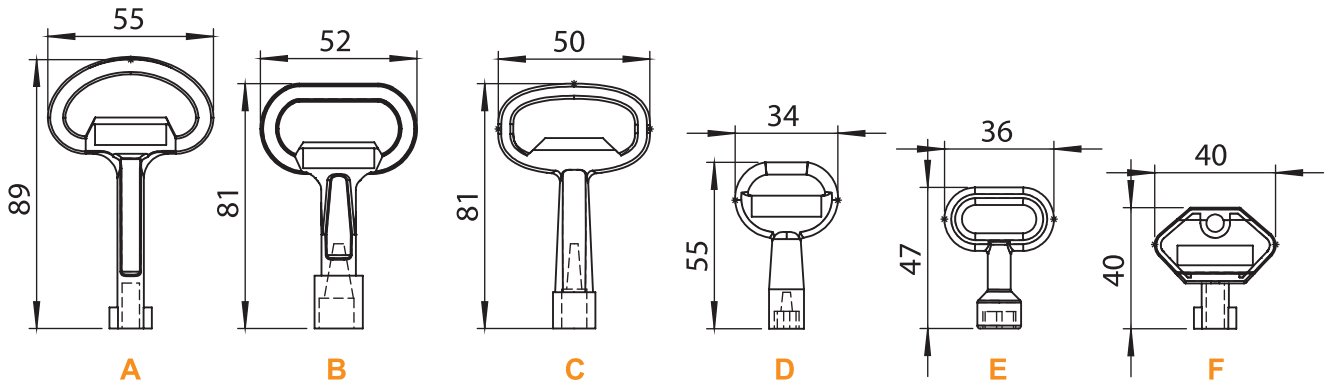
Item Number	Applicable Cutouts
7210 - 001	20,1 x 22,5
7210 - 002	14,1 x 16,3 19,1 x 16,6

2900-450
Assembly Dish



2900-450 - Assembly Dish

Item Number	Applicable Cutouts
2900 - 450	



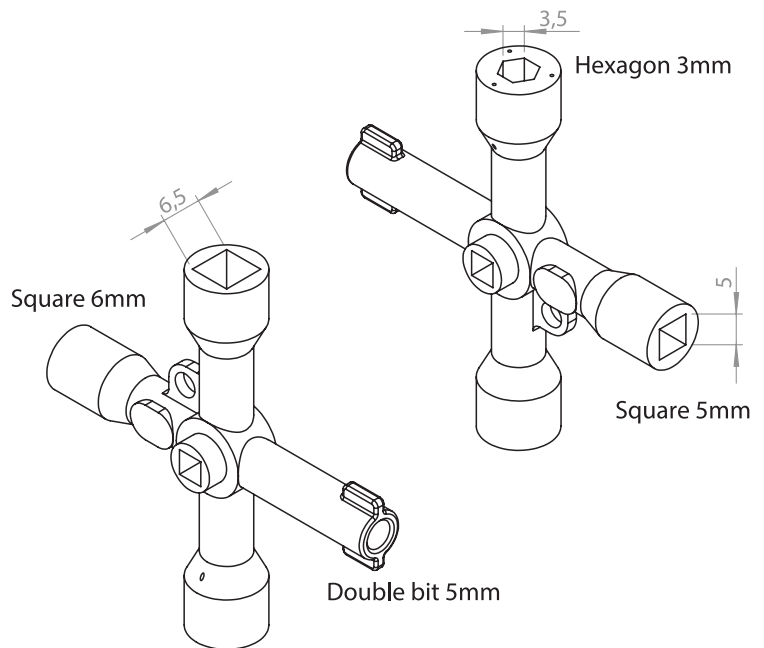
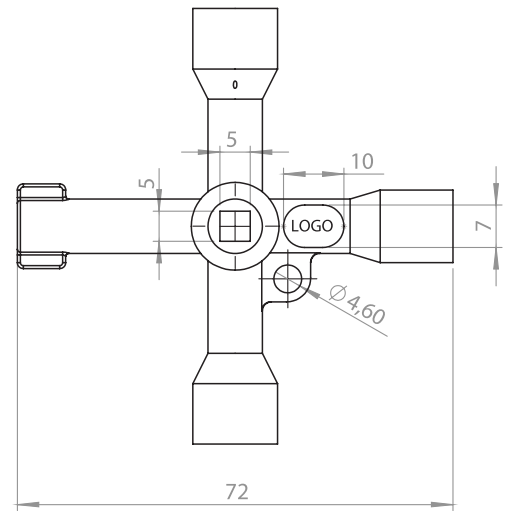
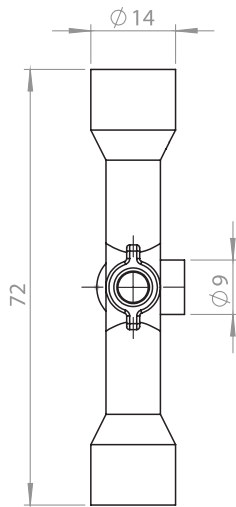
		A	B	C	D	E	F
	Materials	Zinc Die, black coated	Zinc Die, black coated	Zinc Die, black coated	Zinc Die, black coated	Zinc Die, black coated	PA, Black
⊠	Square 6 mm	-	-	-	1000-518	-	-
△	Triangular 6,5 mm	-	-	-	1000-517	-	-
⊗	Double Bit 3 mm	1000-512	-	-	-	1000-711	1000-501
⊗	Double Bit 5 mm	1000-511	-	-	-	1000-712	1000-502
⊘	Eastern Europe	-	1000-516	-	-	-	-
△	Triangular 7 mm	-	-	1000-519	-	1000-719	1000-509
△	Triangular 8 mm	-	-	1000-513	-	1000-713	1000-503
△	Triangular 9 mm	-	-	1000-521	-	1000-721	-
⊠	Square 7 mm	-	-	1000-520	-	1000-720	-
⊠	Square 8 mm	-	-	1000-514	-	1000-714	1000-504

Quarter Turns



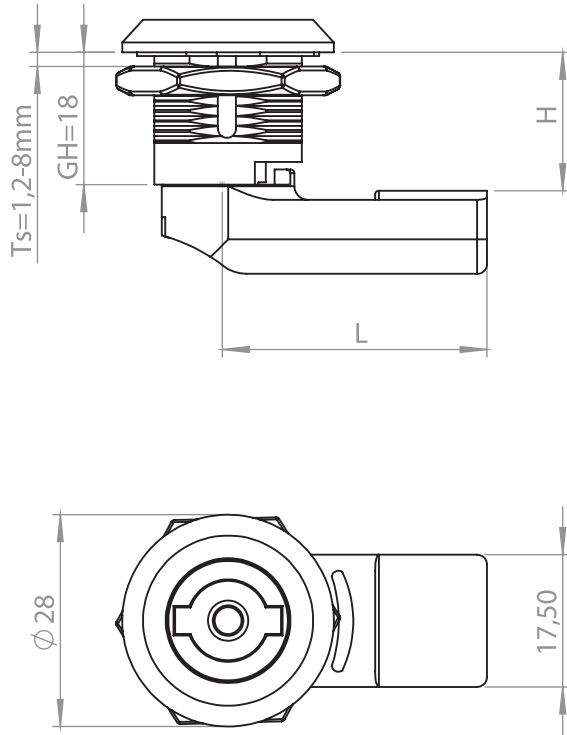
Material:

Zinc Die, chrome plated



RoHS

Item Number	1000-999
-------------	----------



Quarter Turns

Material:

- Housing** : Polyamide (PA GFR30), black
Zinc die chrome plated or black coated
- Insert** : Polyamide (PA GFR30), black
Zinc die chrome plated or black coated
- Nut** : Polyamide (PA GFR30), black or
Zinc die, zinc plated
- Cam** : Polyamide (PA GFR30), black or
Steel, zinc plated

Options

- Cams
- Keys

1817 - Quarter Turn with injected gasket GH=18

	Insert Type	PA	Chrome Plated	Black Coated
	Double Bit 3mm	1817-101-xxx	1827-201-xxx	1837-301-xxx
	Double Bit 5mm	1817-102-xxx	1827-202-xxx	1837-302-xxx
	Triangular 7mm	1817-107-xxx	1827-207-xxx	1837-307-xxx
	Triangular 8mm	1817-103-xxx	1827-203-xxx	1837-303-xxx
	Triangular 9mm	1817-109-xxx	1827-209-xxx	1837-309-xxx
	Square 7mm	1817-104-xxx	1827-204-xxx	1837-304-xxx
	Square 8mm	1817-105-xxx	1827-205-xxx	1837-305-xxx
	Slotted	1817-108-xxx	1827-208-xxx	1837-308-xxx

You may chose the XXX section from the cam tables.

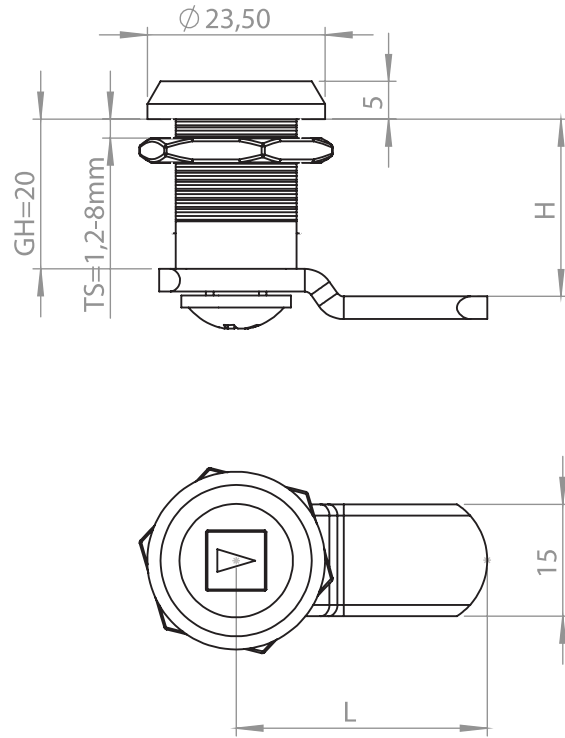
IP 65

LH/RH

RoHS



Quarter Turns



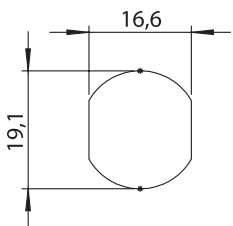
Material

- Housing** : Zinc die chrome plated or black coated
- Insert** : Zinc die chrome plated or black coated
- Nut** : Zinc die, zinc plated
- Cam** : Steel, zinc plated

Options

- Cams
- Keys

Cut Out



1004 - Quarter Turn GH=20

	Insert Type	Chrome Plated	Black Coated
	Double Bit 3mm	1004-201-xxx	1004-301-xxx
	Double Bit 5mm	1004-202-xxx	1004-302-xxx
	Triangular 7mm	1004-207-xxx	1004-307-xxx
	Triangular 8mm	1004-203-xxx	1004-303-xxx
	Triangular 9mm	1004-209-xxx	1004-309-xxx
	Square 7mm	1004-204-xxx	1004-304-xxx
	Square 8mm	1004-205-xxx	1004-305-xxx
	Slotted	1004-208-xxx	1004-308-xxx

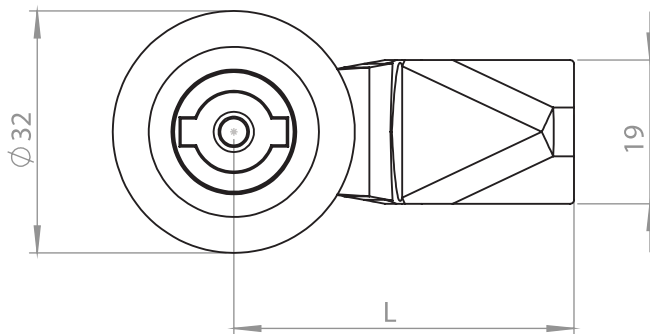
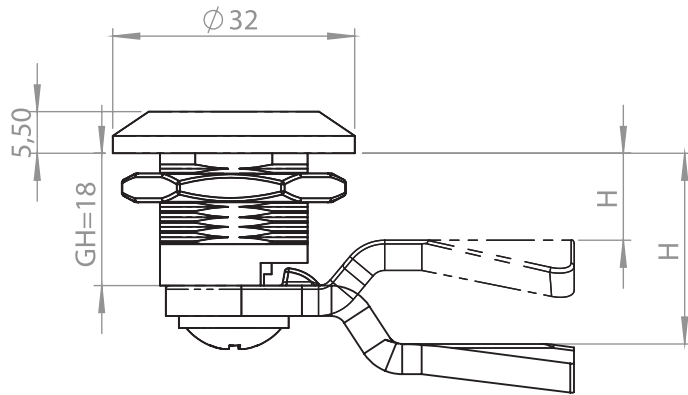
You may chose the XXX section from the cam tables.

IP 44



LH/RH

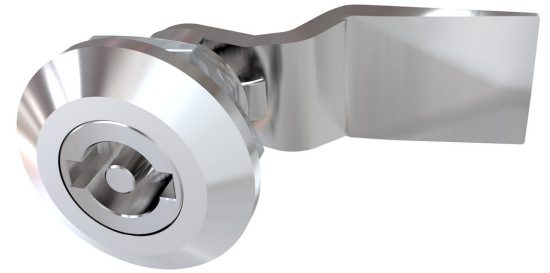
RoHS



1122 - Quarter Turn GH=18

	Insert Type	Chrome Plated	Black Coated
	Double Bit 3mm	1122-201-xxx	1122-301-xxx
	Double Bit 5mm	1122-202-xxx	1122-302-xxx
	Triangular 7mm	1122-207-xxx	1122-307-xxx
	Triangular 8mm	1122-203-xxx	1122-303-xxx
	Triangular 9mm	1122-209-xxx	1122-309-xxx
	Square 7mm	1122-204-xxx	1122-304-xxx
	Square 8mm	1122-205-xxx	1122-305-xxx
	Slotted	1122-208-xxx	1122-308-xxx

You may chose the XXX section from the cam tables.



Quarter Turns

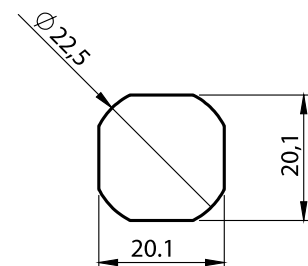
Material

- Housing** : Zinc die chrome plated or black coated
- Insert** : Zinc die chrome plated or black coated
- Nut** : Zinc die, zinc plated
- Cam** : Steel, zinc plated

Options

- Cams
- Keys

Cut Out



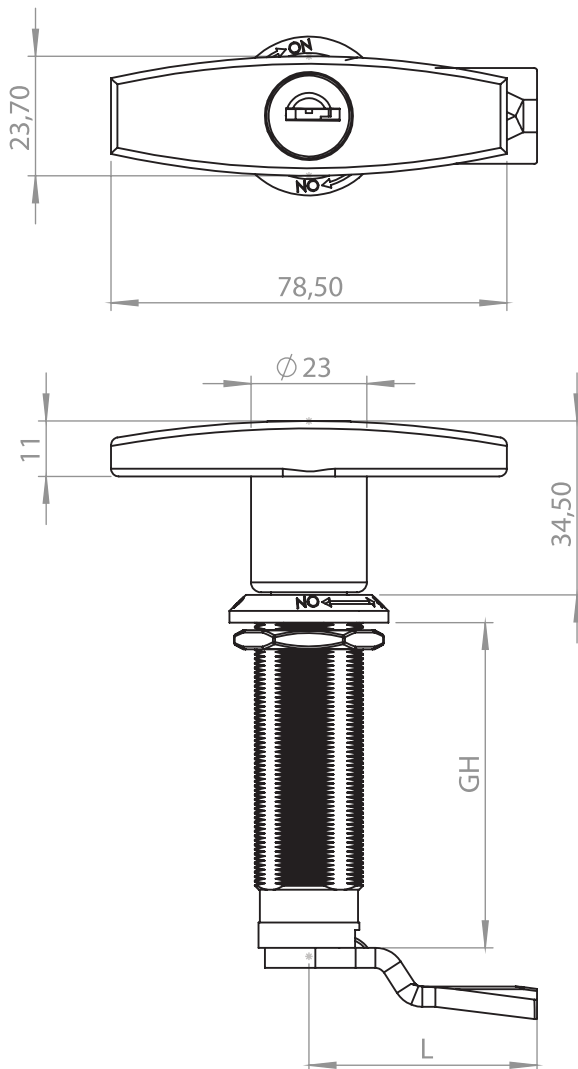
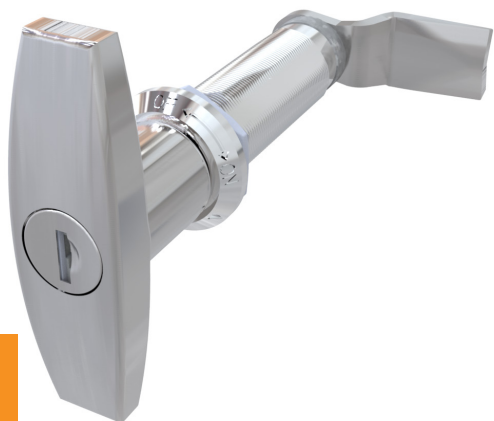
IP 65



LH/RH

RoHS

Quarter Turns



Material

Housing : Zinc die chrome plated or black coated

Insert : Zinc die chrome plated or black coated

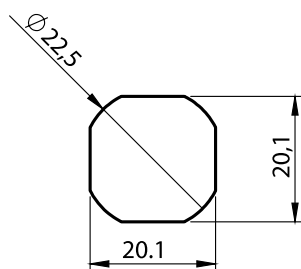
Nut : Zinc die, zinc plated

Cam : Steel, zinc plated

Options

Cams
Keys

Cut Out



1201 - T Handle Quarter Turn

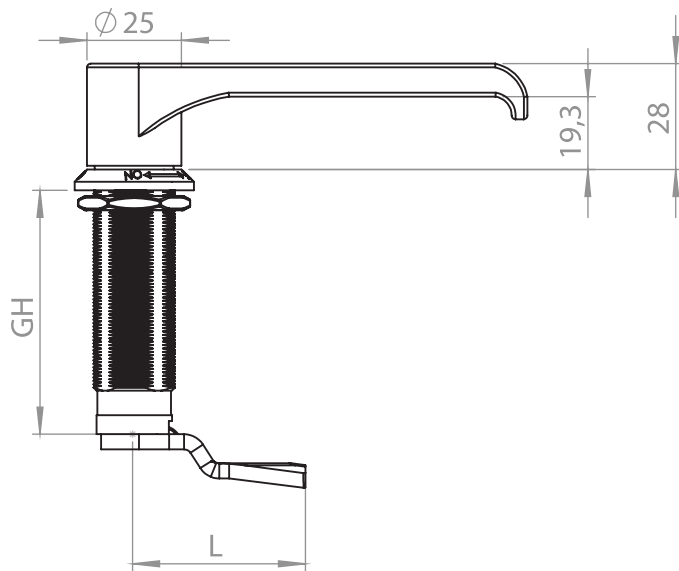
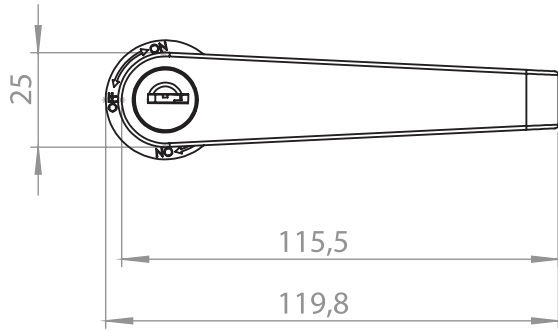
	GH=30	GH=40	GH=50	GH=60
Non-Locking	1201-320-xxx	1201-420-xxx	1201-520-xxx	1201-620-xxx
Keyed 3333	1201-323-xxx	1201-423-xxx	1201-523-xxx	1201-623-xxx
Keyed Same	1201-329-xxx	1201-429-xxx	1201-529-xxx	1201-629-xxx

You may chose the XXX section from the cam tables.
For zinc die, black coated versions, please replace 0 with 2 at 3rd digit in item code



LH/RH

RoHS



Quarter Turns

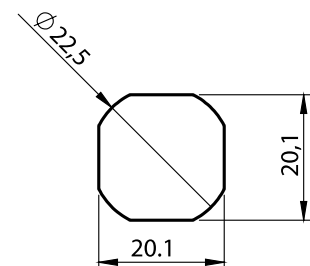
Material

- Housing** : Zinc die chrome plated or black coated
- Insert** : Zinc die chrome plated or black coated
- Nut** : Zinc die, zinc plated
- Cam** : Steel, zinc plated

Options

- Cams
- Keys

Cut Out



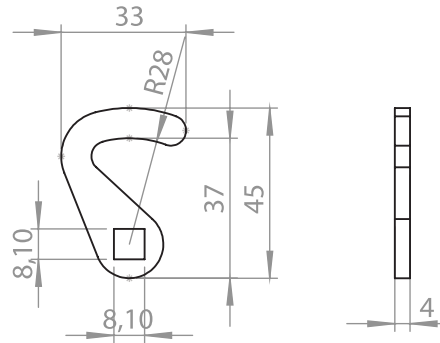
1205 - T Handle Quarter Turn

	GH=30	GH=40	GH=50	GH=60
Non-Locking	1205-320-xxx	1205-420-xxx	1205-520-xxx	1205-620-xxx
Keyed 3333	1205-323-xxx	1205-423-xxx	1205-523-xxx	1205-623-xxx
Keyed Same	1205-329-xxx	1205-429-xxx	1205-529-xxx	1205-629-xxx

You may chose the XXX section from the cam tables.
For zinc die, black coated versions, please replace 0 with 2 at 3rd digit in item code



1900-690 Hook Cam



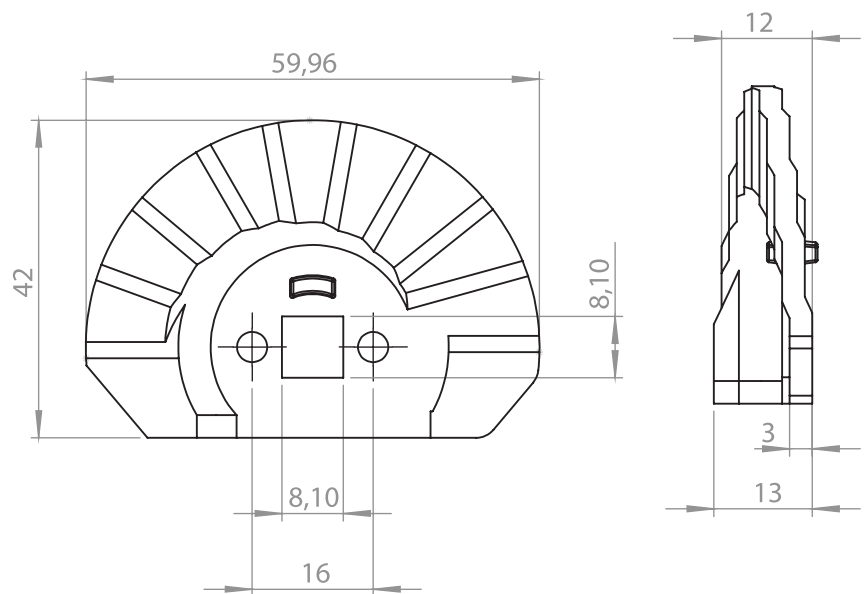
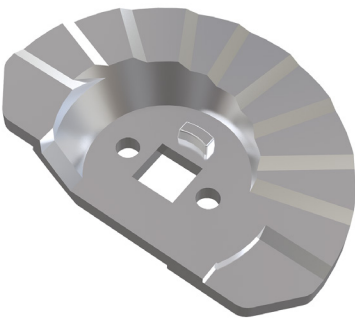
Item Number	1900-690
-------------	----------

Material

Steel, zinc plated

Quarter Turns

1900-601 Stepped Cam

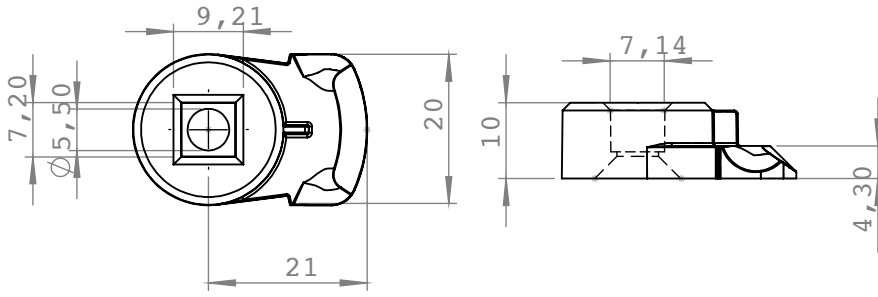


Material

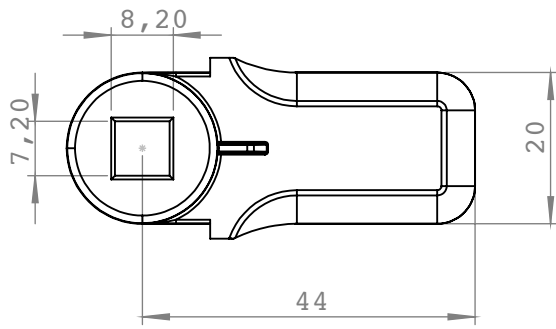
Steel, zinc plated

RoHS

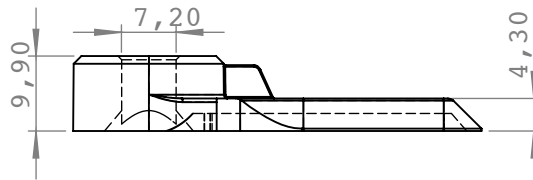
Item Number	1900-601
-------------	----------



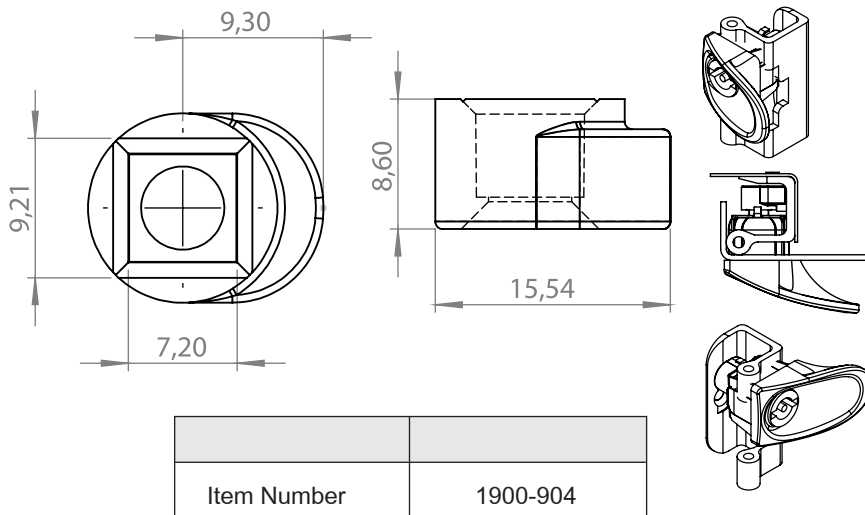
Item Number	1900-902
-------------	----------



Item Number	1900-903
-------------	----------

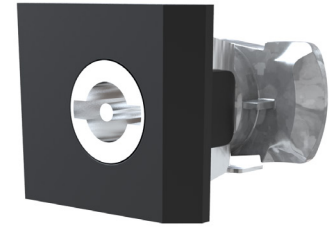


Item Number	1900-904
-------------	----------



Item Number	1900-904
-------------	----------

This cam can be used as a catcher with 3095 concealed hinge



Material

Zinc Die, Zinc Coated

Quarter Turns