

POWER DISTRIBUTION UNITS (PDU)

General Specifications

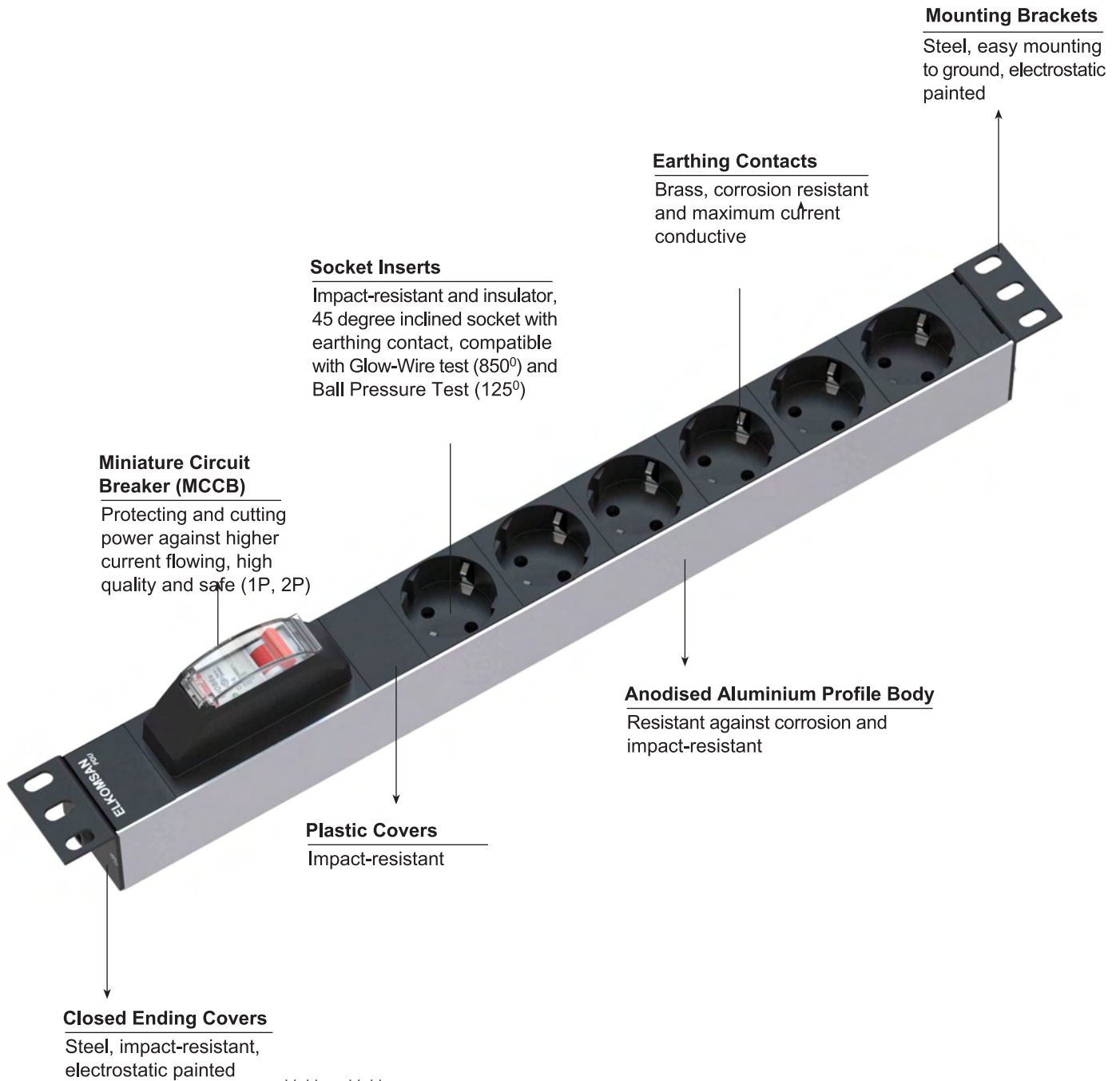
Product definition	: 19" 1U PDU
Nominal rated load current & voltage	: 16A, 250V AC
Maximum power	: 3500W
Housing	: Anodised aluminium profile - grounded (resistant against corrosion and impact-resistant)
Socket	: 45 degree inclined socket with earthing contact (German type)
Power Supply Cable	: 2.0 mt 3x1,5 mm ² black with UPS plug and earthing contact (TSE, CE approved)
Voltage contacts	: Brass, corrosion resistant and maximum current conductive
Earthing contact connection piece	: Brass, corrosion resistant and maximum current conductive
Earthing contacts	: Brass, corrosion resistant and maximum current conductive
Plastic covers	: Impact -resistant , compatible with Glow-Wire Test (850 ⁰) and Ball Pressure Test (125 ⁰)
Closed ending covers	: Steel, impact-resistant
Power Supply Cable Fibres	: Connected to voltage and earthing contact in solder / spot welding
Mounting brackets	: Steel, electrostatic painted (at both sides)
Standart	: TS IEC 60884-1 and TS 40
Protection level	: IP 20
Dimension	: 44 x 44 x 445 mm (H x W x L)



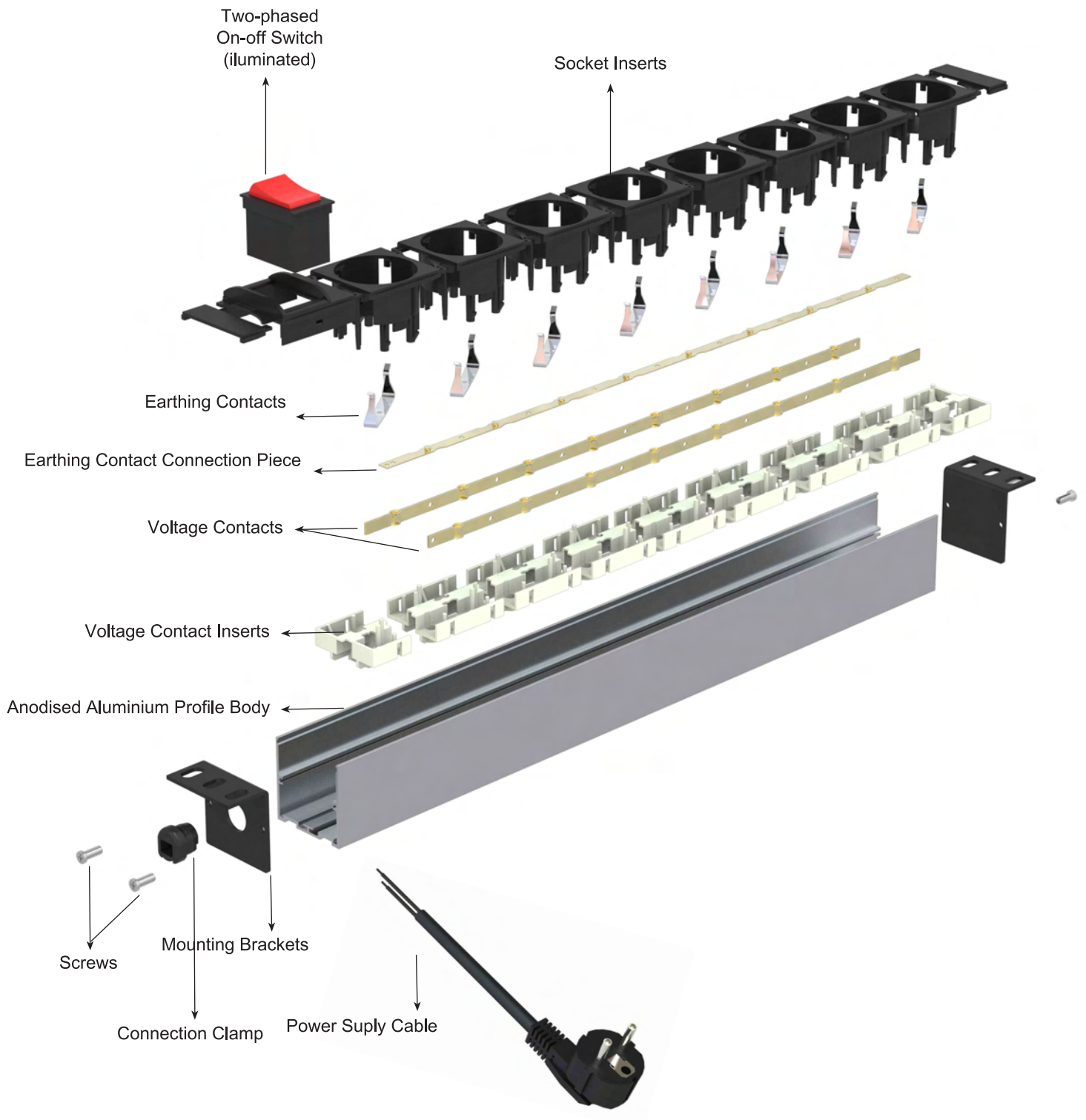
Optional

- 1,5U and 2U
- Modular type allowing 3 to 35 sockets
- Child lock
- Two-phased on-off switch (illuminated)
- Miniature circuit breaker (MCB) (1P, 2P)
- C13, C14, C19, C20 types of sockets and plugs (IEC 320, BS 1363)
- Cordless
- Cord with 3x1, 3x2,5, 3x4, 3x6, 5x2,5, 5x4, 5x6 mm² (.....)
- Surge protection
- Overload protection
- Overload protection with reset on-off switch
- Powermeter (watching kWh active energy)
- Powermeter (watching kWh active energy and RS-485 communication)

POWER DISTRIBUTION UNITS (PDU)



POWER DISTRIBUTION UNITS (PDU)



SURGE PROTECTED PDU

19" 1U PDU

Electronic and electrical appliances may get damages or destroyed caused by surge voltages, mains interruptions, lightning strikes etc.

ELKOMSAN Surge Protected PDU filters voltage impact shocks up to the limits specified below and safely protects these appliances plugged into its' sockets.



Item Specifications

Nominal Voltage	: 230V AC
Maximum Continuous Operating Voltage	: 300V AC
Nominal Rated Load Current	: 16A
Nominal Impulse Discharge Current (8/20 μ s)	: 4,5 kA
Maximum Impulse Discharge Current (8/20 μ s)	: 10 kA
Impulse Life (10x1000 μ s) 300hits	: 100A
Lightning Impulse Current (10/350 μ s)	: 10 kA
Voltage Protection Level	: smaller than 1,5 kA
Voltage Protection Level (1kA 8/20 μ s)	: 650V - 900 V
Operating Temperature Range	: - 25 to + 85 C

POWER DISTRIBUTION UNITS (PDU)

19" 1U PDU

- Standard (socket)
- UPS
- Two-phased On-Off Switch (illuminated)
- Miniature Circuit Breakers (MCB) (1P)
- Overload Protection
- Overload Protection by Reset On-Off Switch (illuminated)
- Two-phased On-Off Switch (illuminated) and Surge Protection
- Overload Protection Switch and Surge Protection
- Overload Protection and Surge Protection
- Miniature Circuit Breakers (MCB) (2P)
- Powermeter (kWh)
- Powermeter (kWh) and Miniature Circuit Breaker (1P)
- Powermeter (kWh) and RS-485 Communication (by Modbus based program)
- Powermeter (kWh), RS-485 Communication (by Modbus based program) and Miniature Circuit Breaker (2P)



19" 1U PDU

C13 and C19 Sockets (IEC 320)

- C13 socket (IEC 320)
- C19 socket (IEC 320)
- C13 socket (IEC 320) and Miniature Circuit Breaker (MCB) (1P)



19" 1U PDU

Special Solutions

- 12 sockets
- 9 sockets
- 6+6+6 sockets
- 9+9 sockets and Miniature Circuit Breaker (MCB) (2P)
- 10+10 sockets and Miniature Circuit Breaker (MCB) (2P)
- 12+12+12 sockets
- 6+6+6 plugs C13 (IEC 320)
- 12+12+12 plugs C13 (IEC 320) and 2+2+2 plugs C19 (IEC 320)



1,5U PDU

- Standard (socket)
- Two-phased On-Off Switch (illuminated)
- 6 sockets and Overload Protection
- 6 Sockets, Two-phased On-off Switch (illuminated) and Overload Protection
- Overload Protection and Surge Protection
- Overload Protection, Surge Protection and Two-phased On-Off Switch (illuminated)



19" 2U PDU

- 9 sockets and Miniature Circuit Breaker (1P)
- 9 sockets and Miniature Circuit Breaker (2P)



PDU - 19" 1U
Standart

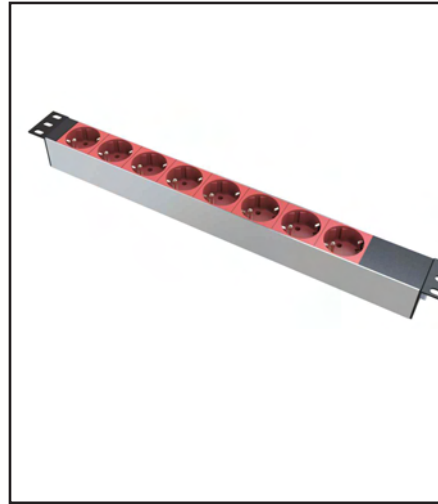
Anodised aluminium profile body
16A, 250V AC (50-60 Hz)
Maximum power 3500W
Earthing contact socket outlet
(German type)
Socket inserts set at 45°
2 mt. 3x1,5 mm², earthed cord, black
IP 20

TS IEC 60884-1 and TS 40

Item Number	Specification
8010 - 106	6 sockets
8010 - 107	7 sockets
8010 - 108	8 sockets
8010 - 109	9 sockets

Optional

- C13, C14, C19, C20 types of socket inserts and plugs (IEC 320, BS 1363)
- Cordless
- Child lock



PDU - 19" 1U
UPS'li

Anodised aluminium profile body
16A, 250V AC (50-60 Hz)
Maximum power 3500W
Earthing contact socket outlets
(German type)
Socket insert UPS
Socket inserts set at 45°
2 mt. 3x1,5 mm², earthed cord, black
IP 20

TS IEC 60884-1 and TS 40

Item Number	Specification
8010 - 206	6 sockets, UPS
8010 - 207	7 sockets, UPS
8010 - 208	8 sockets, UPS
8010 - 209	9 sockets, UPS

Optional

- C13, C14, C19, C20 types of socket inserts and plugs (IEC 320, BS 1363)
- Cordless
- Child lock



PDU - 19" 1U
Two-phased On-Off Switch (illuminated)

Anodised aluminium profile body
16A, 250V AC (50-60 Hz)
Maximum power 3500W
Earthing contact socket outlets
(German type)
Two-phased on-Off switch (illuminated)
Socket inserts set at 45°
2 mt. 3x1,5 mm², earthed cord, black
IP 20

TS IEC 60884-1 and TS 40

Item Number	Specification
8020 - 105	5 sockets, On-off switch
8020 - 106	6 sockets, On-off switch
8020 - 107	7 sockets, On-off switch
8020 - 108	8 sockets, On-off switch

Optional

- C13, C14, C19, C20 types of socket inserts and plugs (IEC 320, BS 1363)
- Cordless
- Child lock



**PDU - 19" 1U
Miniature Circuit Breaker (MCB) (1P)**

Anodised aluminium profile body
16A, 250V AC (50-60 Hz)
Maximum power 3500W
Earthing contact socket outlets
(German type)
Miniature circuit breaker (MCB) (1P)
Socket inserts set at 45°
2 mt. 3x1,5 mm², earthed cord, black
IP 20

TS IEC 60884-1 and TS 40

Item Number	Specification
8080 - 103	3 sockets, MCB (1P)
8080 - 104	4 sockets, MCB (1P)
8080 - 105	5 sockets, MCB (1P)
8080 - 106	6 sockets, MCB (1P)

Optional

- C13, C14, C19, C20 types of socket inserts and plugs (IEC 320, BS 1363)
- Cordless
- Child lock



**PDU - 19" 1U
Overload Protection**

Anodised aluminium profile body
16A, 250V AC (50-60 Hz)
Maximum power 3500W
Earthing contact socket outlets
(German type)
Overload protection
Socket inserts set at 45°
2 mt. 3x1,5 mm², earthed cord, black
IP 20

TS IEC 60884-1 and TS 40

Item Number	Specification
8030 - 105	5 sockets, Overload protection
8030 - 106	6 sockets, Overload protection
8030 - 107	7 sockets, Overload protection
8030 - 108	8 sockets, Overload protection

Optional

- C13, C14, C19, C20 types of socket inserts and plugs (IEC 320, BS 1363)
- Cordless
- Child lock



**PDU - 19" 1U
Overload Protection
by Reset On-Off Switch**

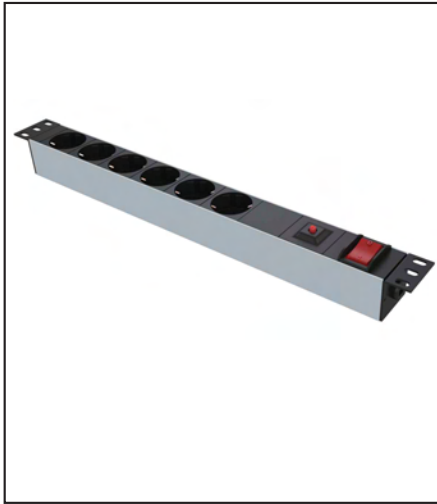
Anodised aluminium profile body
16A, 250V AC (50-60 Hz)
Maximum power 3500W
Earthing contact socket outlets
(German type)
Overload Protection by Reset On-Off Switch
Socket inserts set at 45°
2 mt. 3x1,5 mm², earthed cord, black
IP 20

TS IEC 60884-1 and TS 40

Item Number	Specification
8040 - 105	5 sockets, Overload protection by reset on-off
8040 - 106	6 sockets, Overload protection by reset on-off
8040 - 107	7 sockets, Overload protection by reset on-off
8040 - 108	8 sockets, Overload protection by reset on-off

Optional

- C13, C14, C19, C20 types of socket inserts and plugs (IEC 320, BS 1363)
- Cordless
- Child lock



PDU - 19" 1U
Two-phased On-Off Switch
(illuminated) Surge Protection

Anodised aluminium profile body
16A, 250V AC (50-60 Hz)
Maximum power 3500W
Earthing contact socket outlets
(German type)
Two-phased on-Off switch (illuminated)
Surge protection (page 381)
Socket inserts set at 45°
2 mt. 3x1,5 mm², earthed cord, black
IP 20

TS IEC 60884-1 and TS 40



PDU - 19" 1U
Overload Protection Switch
Surge Protection

Anodised aluminium profile body
16A, 250V AC (50-60 Hz)
Maximum power 3500W
Earthing contact socket outlets
(German type)
Overload Protection Switch
Surge protection
Socket inserts set at 45°
2 mt. 3x1,5 mm², earthed cord, black
IP 20

TS IEC 60884-1 and TS 40



PDU - 19" 1U
Overload Protection
Surge Protection

Anodised aluminium profile body
16A, 250V AC (50-60 Hz)
Maximum power 3500W
Earthing contact socket outlets
(German type)
Overload Protection
Surge Protection
Socket inserts set at 45°
2 mt. 3x1,5 mm², earthed cord, black
IP 20

TS IEC 60884-1 and TS 40

Item Number	Specification
8050 - 104	4 sockets, On-off switch, Surge protection
8050 - 105	5 sockets, On-off switch, Surge protection
8050 - 106	6 sockets, On-off switch, Surge protection

Item Number	Specification
8060 - 104	4 sockets, Overload protection switch, Surge protection
8060 - 105	5 sockets, Overload protection switch, Surge protection
8060 - 106	6 sockets, Overload protection switch, Surge protection

Item Number	Specification
8070 - 104	4 sockets, Overload protection, Surge protection
8070 - 105	5 sockets, Overload protection, Surge protection
8070 - 106	6 sockets, Overload protection, Surge protection

Optional

- C13, C14, C19, C20 types of socket inserts and plugs (IEC 320, BS 1363)
- Cordless
- Child lock

Optional

- C13, C14, C19, C20 types of socket inserts and plugs (IEC 320, BS 1363)
- Cordless
- Child lock

Optional

- C13, C14, C19, C20 types of socket inserts and plugs (IEC 320, BS 1363)
- Cordless
- Child lock



PDU - 19" 1U
Miniature Circuit Breaker (MCB) (2P)

Anodised aluminium profile body
16A, 250V AC (50-60 Hz)
Maximum power 3500W
Earthing contact socket outlets
(German type)
Miniature Circuit Breaker (MCB) (2P)
Socket inserts set at 45°
2 mt. 3x1,5 mm², earthed cord, black
IP 20

TS IEC 60884-1 and TS 40

Item Number	Specification
8090 - 103	3 sockets, MCB (2P)
8090 - 104	4 sockets, MCB (2P)
8090 - 105	5 sockets, MCB (2P)
8090 - 106	6 sockets, MCB (2P)

Optional

- C13, C14, C19, C20 types of socket inserts and plugs (IEC 320, BS 1363)
- Cordless
- Child lock



PDU - 19" 1U
Powermeter (kWh Active Energy)

Anodised aluminium profile body
16A, 250V AC (50-60 Hz)
Maximum power 3500W
Earthing contact socket outlets
(German type)
Powermeter (kWh Active Energy)
Socket inserts set at 45°
2 mt. 3x1,5 mm², earthed cord, black
IP 20

TS IEC 60884-1 and TS 40

Item Number	Specification
8230 - 103	3 sockets, Powermeter
8230 - 104	4 sockets, Powermeter
8230 - 105	5 sockets, Powermeter
8230 - 106	6 sockets, Powermeter

Optional

- C13, C14, C19, C20 types of socket inserts and plugs (IEC 320, BS 1363)
- Cordless
- Child lock



PDU - 19" 1U
Powermeter (kWh Active Energy)
Miniature Circuit Breaker (MCB) (1P)

Anodised aluminium profile body
16A, 250V AC (50-60 Hz)
Maximum power 3500W
Earthing contact socket outlets
(German type)
Powermeter (kWh Active Energy)
Miniature Circuit Breaker (MCB) (1P)
Socket inserts set at 45°
2 mt. 3x1,5 mm², earthed cord, black
IP 20

TS IEC 60884-1 and TS 40

Item Number	Specification
8240 - 103	3 sockets, Powermeter, MCB (1P)
8240 - 104	4 sockets, Powermeter, MCB (1P)
8240 - 105	5 sockets, Powermeter, MCB (1P)
8240 - 106	6 sockets, Powermeter, MCB (1P)

Optional

- C13, C14, C19, C20 types of socket inserts and plugs (IEC 320, BS 1363)
- Cordless
- Child lock



PDU - 19" 1U
Powermeter (kWh Active Energy)
RS-485 Communication (W, V, A, PF, Var)

Anodised aluminium profile body
 16A, 250V AC (50-60 Hz)
 Maximum power 3500W
 Earthing contact socket outlets (German type)

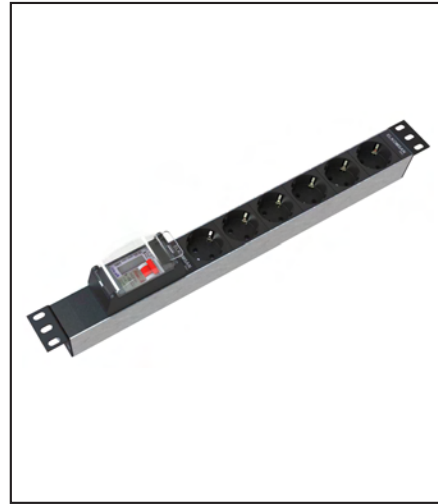
Powermeter (kWh Active Energy)
 RS-485 Communication : W,V,A,PF,Var (Modbus based program needed)
 Socket inserts set at 45°
 2 mt. 3x1,5 mm², earthed cord, black
 IP 20

TS IEC 60884-1 and TS 40

Item Number	Specification
8250 - 103	3 sockets, Powermeter, RS-485 Communication
8250 - 104	4 sockets, Powermeter, RS-485 Communication
8250 - 105	5 sockets, Powermeter, RS-485 Communication
8250 - 106	6 sockets, Powermeter, RS-485 Communication

Optional

- C13, C14, C19, C20 types of socket inserts and plugs (IEC 320, BS 1363)
- Cordless
- Child lock



PDU - 19" 1U
Powermeter (kWh Active Energy)
RS-485 Communication (W, V, A, PF, Var)
Miniature Circuit Breaker (MCB) (2P)

Anodised aluminium profile body
 16A, 250V AC (50-60 Hz)
 Maximum power 3500W
 Powermeter (kWh Active Energy)
 RS-485 Communication : W,V,A,PF,Var (Modbus based program needed)
 Miniature Circuit Breaker (MCB) (2P)
 Socket inserts set at 45°
 Earthing contact socket outlets (German type)
 2 mt. 3x1,5 mm², earthed cord, black
 IP 20

TS IEC 60884-1 and TS 40

Item Number	Specification
8260 - 104	3 sockets, Powermeter, RS-485 Communication, MCB (2P)
8260 - 105	5 sockets, Powermeter, RS-485 Communication, MCB (2P)
8260 - 106	6 sockets, Powermeter, RS-485 Communication, MCB (2P)

Optional

- C13, C14, C19, C20 types of socket inserts and plugs (IEC 320, BS 1363)
- Cordless
- Child lock



PDU - 19" 1U
C13 socket (IEC 320)

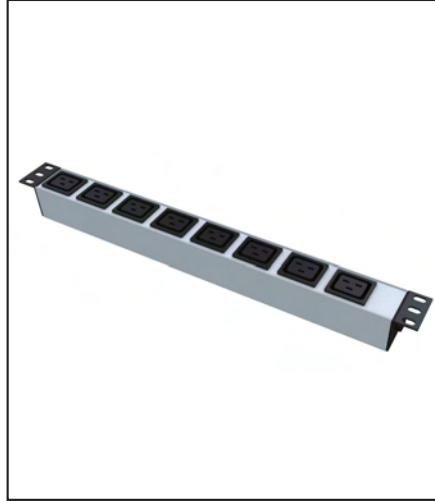
Anodised aluminium profile body
16A, 250V AC (50-60 Hz)
Maximum power 3500W
C13 Socket (IEC 320)
2 mt. 3x1,5 mm², earthed cord, black
IP 20

TS IEC 60884-1 and TS 40

Item Number	Specification
8100 - 106	6 C13 sockets (IEC 320)
8100 - 107	7 C13 sockets (IEC 320)
8100 - 108	8 C13 sockets (IEC 320)
8100 - 109	9 C13 sockets (IEC 320)

Optional

- Cordless
- Child lock



PDU - 19" 1U
C19 socket (IEC 320)

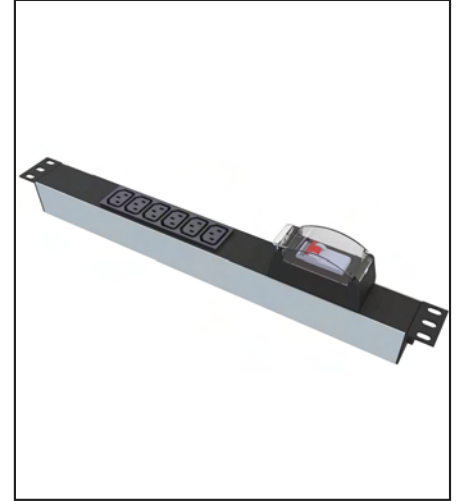
Anodised aluminium profile body
16A, 250V AC (50-60 Hz)
Maximum power 3500W
C19 Socket (IEC 320)
2 mt. 3x1,5 mm², earthed cord, black
IP 20

TS IEC 60884-1 and TS 40

Item Number	Specification
8110 - 105	5 C19 sockets (IEC 320)
8110 - 106	6 C19 sockets (IEC 320)
8110 - 107	7 C19 sockets (IEC 320)
8110 - 108	8 C19 sockets (IEC 320)

Optional

- Cordless
- Child lock



PDU - 19" 1U
C13 (IEC 320) sockets
Miniature Circuit Breaker (MCB) (1P)

Anodised aluminium profile body
16A, 250V AC (50-60 Hz)
Maximum power 3500W
C13 (IEC 320) sockets
Miniature Circuit Breaker (MCB) (1P)
2 mt. 3x1,5 mm², earthed cord, black
IP 20

TS IEC 60884-1 and TS 40

Item Number	Specification
8270 - 103	3 C13 (IEC 320) sockets
8270 - 104	4 C13 (IEC 320) sockets
8270 - 105	5 C13 (IEC 320) sockets
8270 - 106	6 C13 (IEC 320) sockets

Optional

- Cordless
- Child lock



PDU - 1U
12 sockets (German type)

Anodised aluminium profile body
16A, 250V AC (50-60 Hz)
Maximum power 3500W
12 earthing socket outlets (German type)
Socket inserts set at 45°
2 mt. 3x1,5 mm², earthed cord, black
IP 20

TS IEC 60884-1 and TS 40



PDU - 1U
9 sockets (German type)
Overload Protection

Anodised aluminium profile body
16A, 250V AC (50-60 Hz)
Maximum power 3500W
9 earthing socket outlets (German type)
Overload Protection
Socket inserts set at 45°
2 mt. 3x1,5 mm², earthed cord, black
IP 20

TS IEC 60884-1 and TS 40



PDU - 1U
6 + 6 + 6 sockets (German type)

Anodised aluminium profile body
3x16A, 250V AC (50-60 Hz)
Maximum power 3500W
6+6+6 earthing socket outlets
(German type)
Socket inserts set at 45°
2 mt. 5X2,5 mm², earthed cord, black
IP 20

TS IEC 60884-1 and TS 40

Item Number	Specification
8120 - 112	12 sockets

Item Number	Specification
8130 - 109	9 sockets, Overload protection

Item Number	Specification
8140 - 118	6 + 6 + 6 sockets (German type)

Optional

- C13, C14, C19, C20 types of socket inserts and plugs (IEC 320, BS 1363)
- Cordless
- Child lock

Optional

- C13, C14, C19, C20 types of socket inserts and plugs (IEC 320, BS 1363)
- Cordless
- Child lock

Optional

- C13, C14, C19, C20 types of socket inserts and plugs (IEC 320, BS 1363)
- Cordless
- Child lock



PDU - 1U
9 + 9 sockets (German type)
Miniature Circuit Breaker (MCB) (2P)

Anodised aluminium profile body
 32A, 250V AC (50-60 Hz)
 Maximum power 3500W
 9 + 9 sockets (German type)
 Miniature Circuit Breaker (MCB) (2P)
 Socket inserts set at 45°
 2 mt. 3x4 mm², earthed cord, black
 IP 20

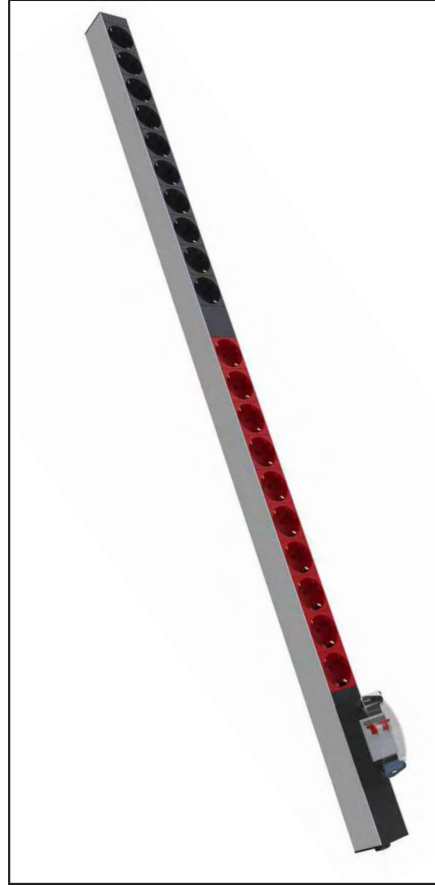
- Each 9 sockets are protected by MCB (1P)

TS IEC 60884-1 and TS 40

Item Number	Specification
8150 - 118	9+9 sockets, MCB (2P)

Optional

- C13, C14, C19, C20 types of socket inserts and plugs (IEC 320, BS 1363)
- Cordless
- Child lock



PDU - 1U
10 + 10 sockets (German type)
Miniature Circuit Breaker (MCB) (2P)

Anodised aluminium profile body
 32A, 250V AC (50-60 Hz)
 Maximum power 3500W
 10 + 10 sockets (German type)
 Miniature Circuit Breaker (MCB) (2P)
 Socket inserts set at 45°
 2 mt. 3x4 mm², earthed cord, black
 IP 20

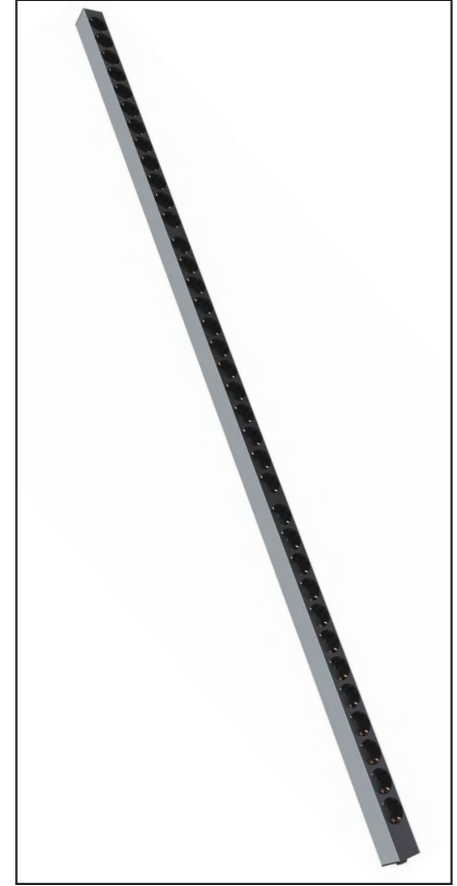
- Each 10 sockets are protected by MCB (1P)

TS IEC 60884-1 and TS 40

Item Number	Specification
8160 - 120	10+10 sockets, MCB (2P)

Optional

- C13, C14, C19, C20 types of socket inserts and plugs (IEC 320, BS 1363)
- Cordless
- Child lock



PDU - 1U
12 + 12 + 12 sockets (German type)

Anodised aluminium profile body
 3x16A, 250V AC (50-60 Hz)
 Maximum power 3500W
 12 + 12 + 12 sockets (German type)
 Socket inserts set at 45°
 2 mt. 5X2,5 mm², earthed cord, black
 IP 20

TS IEC 60884-1 and TS 40

Item Number	Specification
8170 - 136	12 + 12 + 12 sockets

Optional

- C13, C14, C19, C20 types of socket inserts and plugs (IEC 320, BS 1363)
- Cordless
- Child lock



PDU - 1U
6 + 6 + 6 C13 (IEC 320) sockets

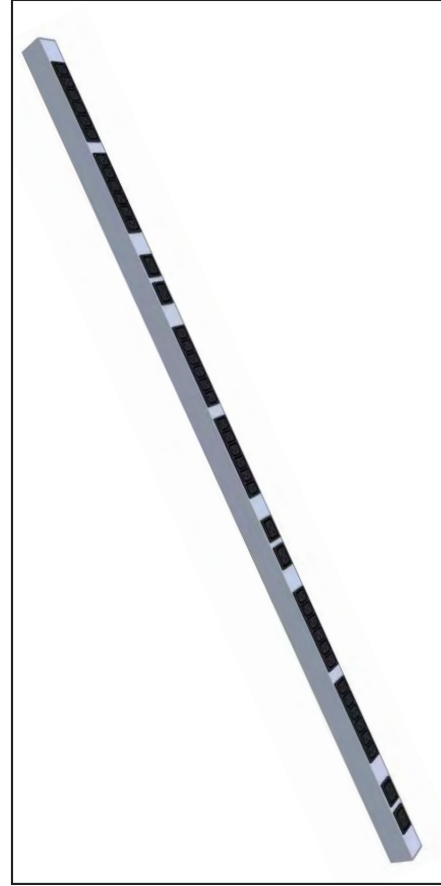
Anodised aluminium profile body
3x16A, 250V AC (50-60 Hz)
Maximum power 3500W
6 + 6 + 6 C13 (IEC 320) sockets
2 mt. 5x2,5 mm², earthed cord, black
IP 20

TS IEC 60884-1 and TS 40

Item Number	Specification
8180 - 118	6 + 6 + 6 C13 sockets

Optional

- Cordless
- Child lock



PDU - 1U
12 + 12 + 12 C13 (IEC 320) sockets
2 + 2 + 2 C19 (IEC 320) sockets

Anodised aluminium profile body
3x16A, 250V AC (50-60 Hz)
Maximum power 3500W
12 + 12 + 12 C13 (IEC 320) sockets
2 + 2 + 2 C19 (IEC 320) sockets
2 mt. 5x2,5 mm², earthed cord, black
IP 20

TS IEC 60884-1 and TS 40

Item Number	Specification
8190 - 142	12 + 12 + 12 C13 sockets 2 + 2 + 2 C19 sockets

Optional

- Cordless
- Child lock



**PDU - 1,5U
Standart**

Anodised aluminium profile body
16A, 250V AC (50-60 Hz)
Maximum power 3500W
Earthing contact socket outlets
(German type)
Socket inserts set at 45°
2 mt. 3x1,5 mm², earthed cord, black
IP 20

TS IEC 60884-1 and TS 40

Item Number	Specification
7010 - 103	3 sockets
7010 - 106	6 sockets
7010 - 109	9 sockets
7010 - 112	12 sockets

Optional

- C13, C14, C19, C20 types of socket inserts and plugs (IEC 320, BS 1363)
- Cordless
- Child lock



**PDU - 1,5U
Two-phased On-Off Switch
(illuminated)**

Anodised aluminium profile body
16A, 250V AC (50-60 Hz)
Maximum power 3500W
Earthing contact socket outlets
(German type)
Two-phased on-Off switch (illuminated)
Socket inserts set at 45°
2 mt. 3x1,5 mm², earthed cord, black
IP 20

TS IEC 60884-1 and TS 40

Item Number	Specification
7020 - 103	3 sockets, On-off switch
7020 - 106	6 sockets, On-off switch
7020 - 109	9 sockets, On-off switch
7020 - 112	12 sockets, On-off switch

Optional

- C13, C14, C19, C20 types of socket inserts and plugs (IEC 320, BS 1363)
- Cordless
- Child lock



**PDU - 1,5U
Overload Protection**

Anodised aluminium profile body
16A, 250V AC (50-60 Hz)
Maximum power 3500W
6 earthing contact socket outlets
(German type)
Overload Protection
Socket inserts set at 45°
2 mt. 3x1,5 mm², earthed cord, black
IP 20

TS IEC 60884-1 and TS 40

Item Number	Specification
7030 - 106	6 sockets, Overload protection

Optional

- C13, C14, C19, C20 types of socket inserts and plugs (IEC 320, BS 1363)
- Cordless
- Child lock



PDU - 1,5U
6 Sockets (German type)
Two-phased On-Off Switch
(illuminated) Overload Protection

Anodised aluminium profile body
 16A, 250V AC (50-60 Hz)
 Maximum power 3500W
 6 Earthing contact socket outlets
 (German type)
 Two-phased on-Off switch (illuminated)
 Overvoltage Protection
 Socket inserts set at 45°
 2 mt. 3x1,5 mm², earthed cord, black
 IP 20

TS IEC 60884-1 and TS 40

Item Number	Specification
7040 - 106	6 sockets, On-off switch, Overload protection



PDU - 1,5U
Overload Protection
Surge Protection

Anodised aluminium profile body
 16A, 250V AC (50-60 Hz)
 Maximum power 3500W
 Earthing contact socket outlets
 (German type)
 Overvoltage Protection
 Surge Protection
 Socket inserts set at 45°
 2 mt. 3x1,5 mm², earthed cord, black
 IP 20

TS IEC 60884-1 and TS 40

Item Number	Specification
7050 - 106	6 sockets, Overload protection, Surge protection
7050 - 109	9 sockets, Overload protection, Surge protection



PDU - 1,5U
Overload Protection
Surge Protection
Two-phased On-Off Switch (illuminated)

Anodised aluminium profile body
 16A, 250V AC (50-60 Hz)
 Maximum power 3500W
 Earthing contact socket outlets
 (German type)
 Overload Protection
 Surge Protection
 Two-phased On-Off Switch (illuminated)
 Socket inserts set at 45°
 2 mt. 3x1,5 mm², earthed cord, black
 IP 20

TS IEC 60884-1 and TS 40

Item Number	Specification
7060 - 06	6 sockets, Overload protection, Surge protection
7060 - 109	9 sockets, Overload protection, Surge protection

Optional

- C13, C14, C19, C20 types of socket inserts and plugs (IEC 320, BS 1363)
- Cordless
- Child lock

Optional

- C13, C14, C19, C20 types of socket inserts and plugs (IEC 320, BS 1363)
- Cordless
- Child lock

Optional

- C13, C14, C19, C20 types of socket inserts and plugs (IEC 320, BS 1363)
- Cordless
- Child lock



PDU - 19" 2U
9 sockets (German type)
Miniature Circuit Breaker (MC) (1P)

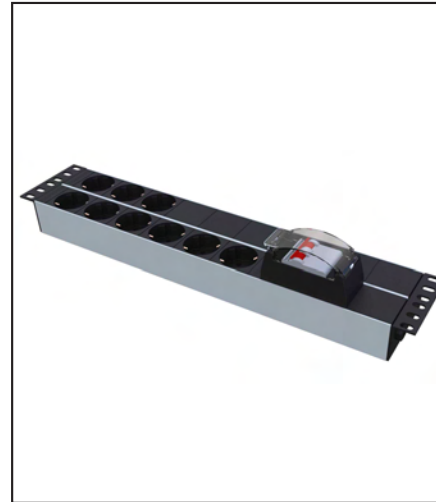
Anodised aluminium profile body
 16A, 250V AC (50-60 Hz)
 Maximum power 3500W
 9 Earthing contact socket outlets
 (German type)
 Miniature Circuit Breaker (MC) (1P)
 Socket inserts set at 45°
 2 mt. 3x1,5 mm², earthed cord, black
 IP 20

TS IEC 60884-1 and TS 40

Item Number	Specification
8280-109	9 sockets, MCB (1P)

Optional

- C13, C14, C19, C20 types of socket inserts and plugs (IEC 320, BS 1363)
- Cordless
- Child lock



PDU - 19" 2U
9 Prizli
Sigortalı (2P)

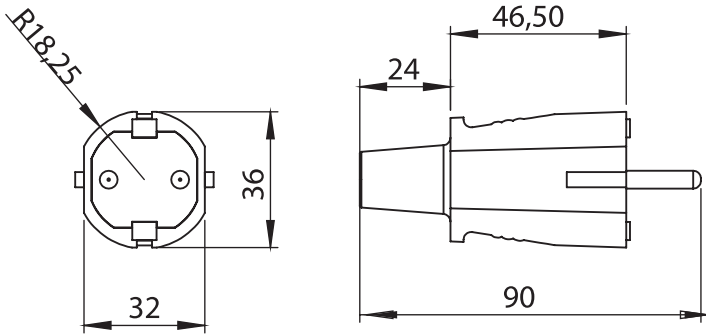
Anodised aluminium profile body
 16A, 250V AC (50-60 Hz)
 Maximum power 3500W
 9 Earthing contact socket outlets
 (German type)
 Miniature Circuit Breaker (MC) (2P)
 Socket inserts set at 45°
 2 mt. 3x1,5 mm², earthed cord, black
 IP 20

TS IEC 60884-1 and TS 40

Item Number	Specification
8290-109	9 sockets, MCB (2P)

Optional

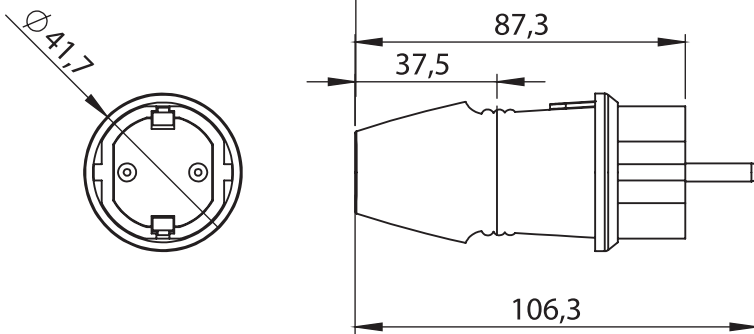
- C13, C14, C19, C20 types of socket inserts and plugs (IEC 320, BS 1363)
- Cordless
- Child lock



9000 - Plug (Male-Rubber) IP 44 Earthed

Item Number	9000 - 101
-------------	------------

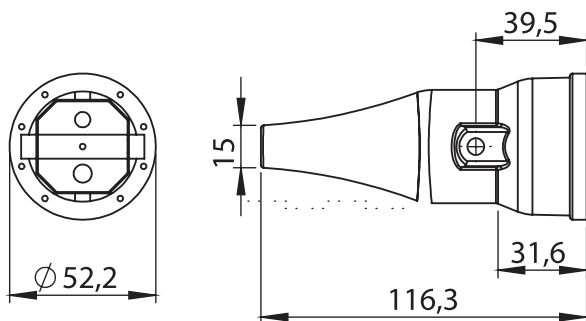
Plug (Male-Rubber)
IP 44
Earthed



9000 - Plug (Male-Rubber) Earthed

Item Number	9000 - 102
-------------	------------

Plug (Male-Rubber)
Earthed



9000 - Plug (Female-Rubber)

Item Number	9000 - 103
-------------	------------

Plug (Female-Rubber)

