


7723 - Compression Latch

	Cylinder Type	Black Coated	Chrome Plated
	Non-Locking	7723 - 100	7723 - 200
	Keyed Same	7723 - 127	7723 - 227
	Keyed Differ	7723 - 129	7723 - 229

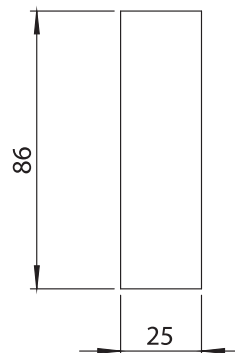


Latches and Miscellaneous Locks

**Material**

- Housing** : Zinc die, black coated or chrome plated
- Handle** : Zinc die, black coated or chrome plated
- Mounting Bracket** : Steel, zinc plated

**Cut Out**





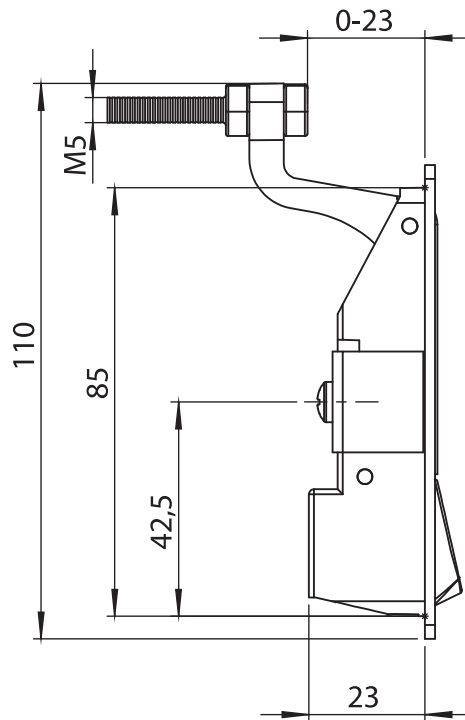
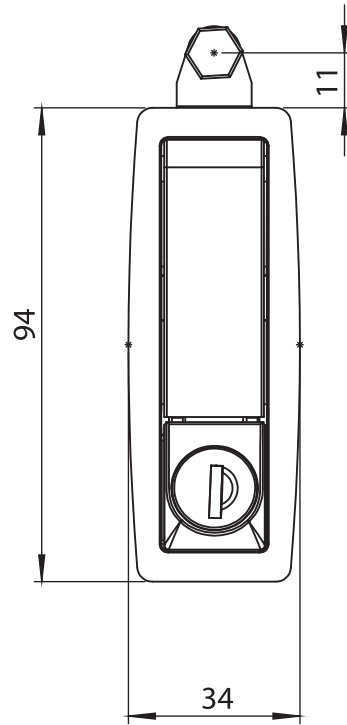
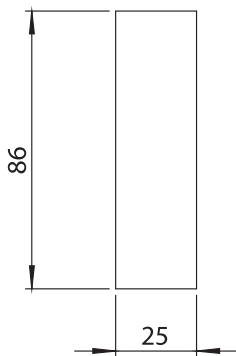
**Material**

**Housing** : Zinc die, black coated or chrome plated


**Handle** : Zinc die, black coated or chrome plated

**Mounting Bracket** : Steel, zinc plated

**Cut Out**

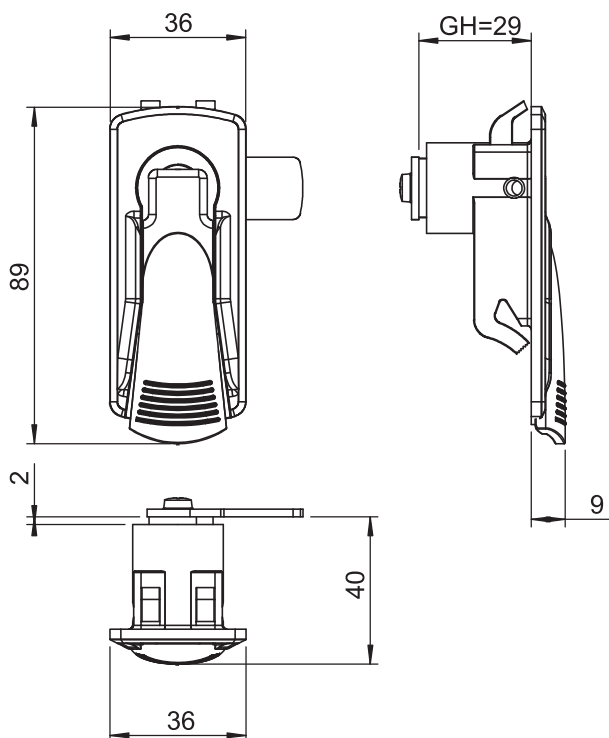


**7722 - Compression Latch**

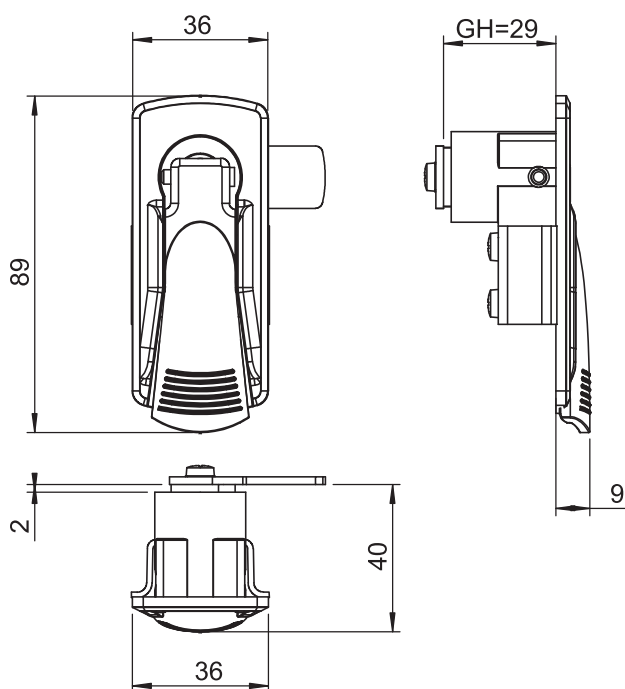
	Cylinder Type	Black Coated	Chrome Plated
	Non-Locking	7722 - 100	7722 - 200
	Keyed Same	7722 - 127	7722 - 227
	Keyed Differ	7722 - 129	7722 - 229



### Clip-In Model



### With Bracket



### 7710 - Clip-In Functional lock

	RH	LH
Item Number	7710 - 001 - xxx	7710 - 002 - xxx

### 7710 - Functional lock with Bracket

	RH	LH
Item Number	7710 - 101 - xxx	7710 - 102 - xxx

You may chose XXX section from cam tables



Latches and Miscellaneous Locks

### Material

**Housing:** Polyamide (PA6 GFR30), black

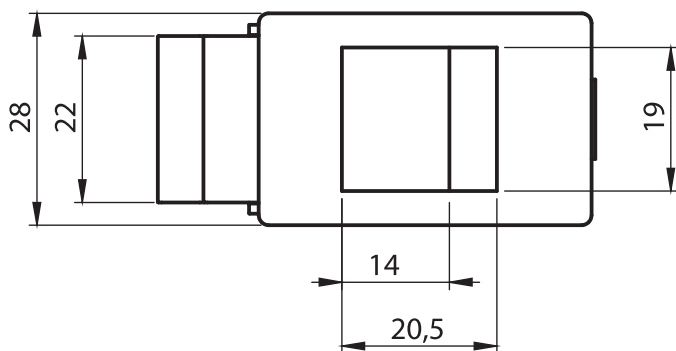
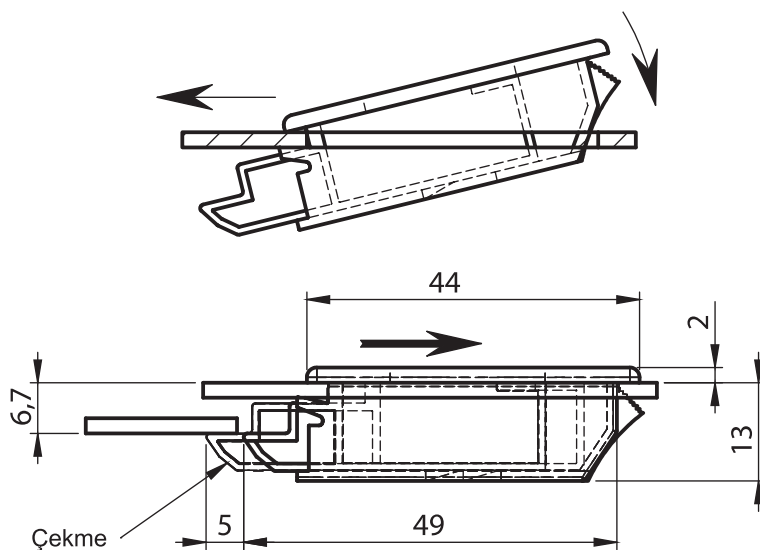
**Cam** : Steel, zinc plated or Polyamide (PA6 GFR30), black

**Ts** : 0,8 - 2 mm

### Options

**Cams** : Pages 94 - 95

IP 54		LH	RH
			RoHS



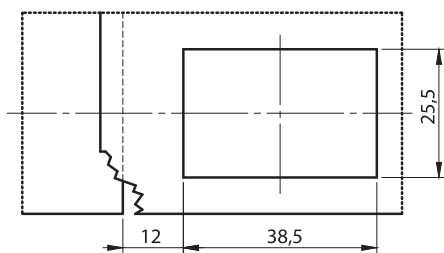
**Material**

**Housing:** Polyamide (PA6 GFR30), black

**Spring:** Spring Steel

**Ts:** 0,8 - 2,0 mm

**Cut Out**

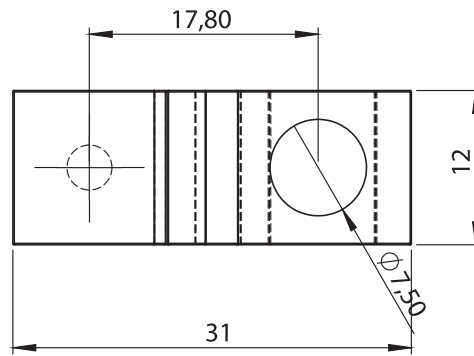
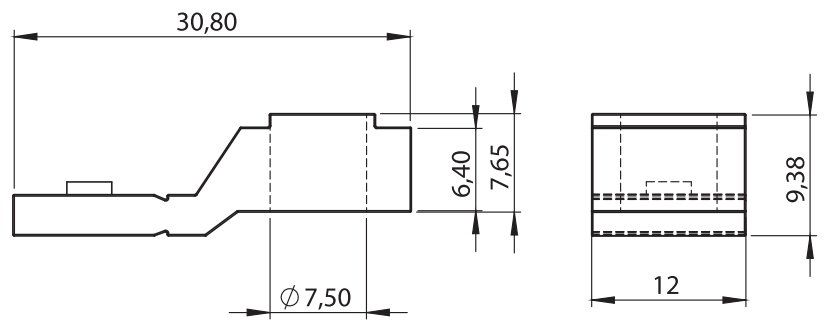


**7201 - Sliding Latch**

	Black	Gray Ral 7035
Item Number	7201 - 001	7201 - 002



Latches and Miscellaneous Locks

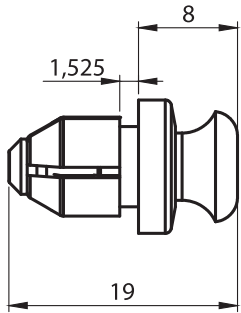


**Material**

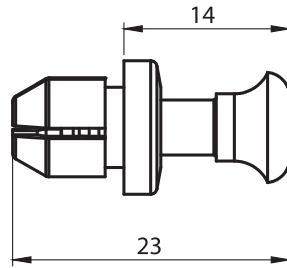
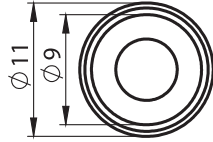
Zinc die, raw

**7005 - Pannel Fixing Part**

Item Number	7005 - 001
-------------	------------

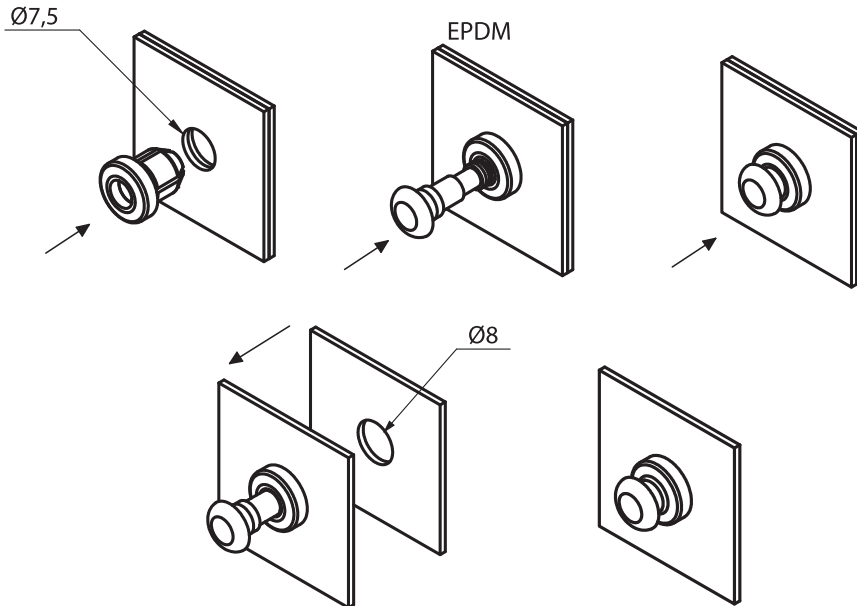


Locked Position



Unlocked Position

### Mounting and Operation



Latches and Miscellaneous Locks

### Material

Polycarbonate (PC), black

### 7003 - Joiner

	TS = 0,8 - 1,5 mm	TS = 1,6 - 2,5 mm
Item Number	7003 - 001	7003 - 002

Complete PA

RoHS