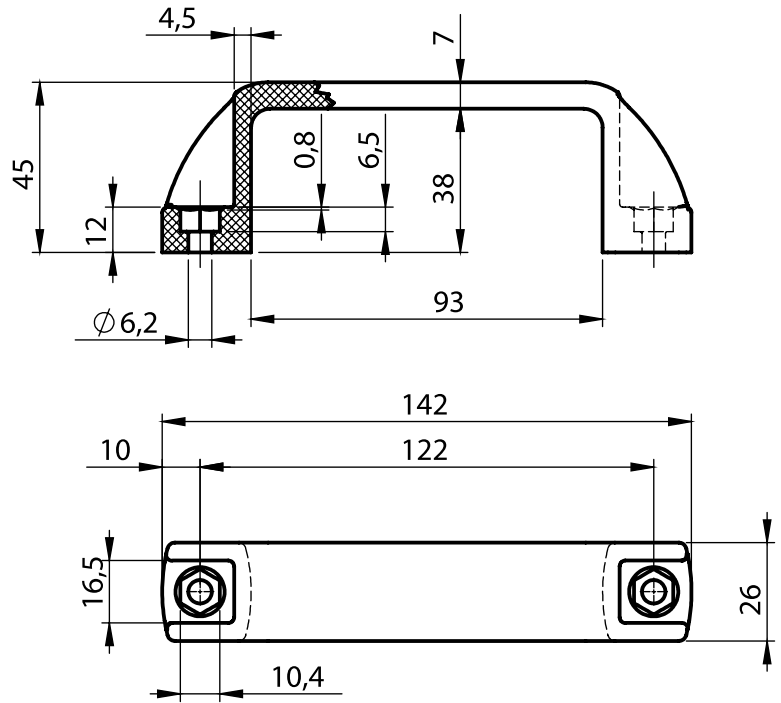


Handles



**Material**

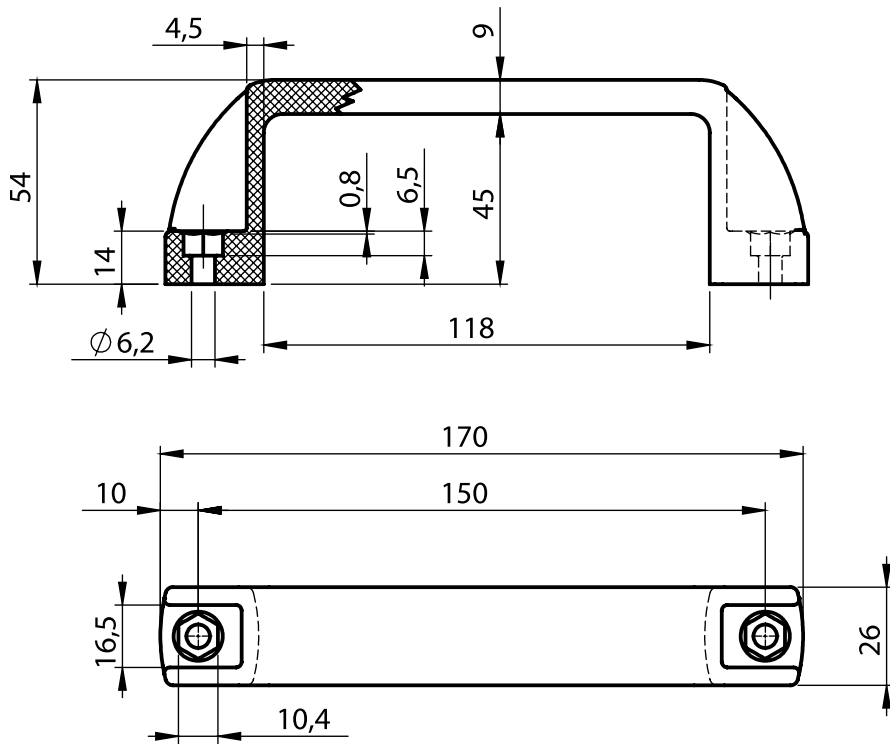
Poliamide (PA6 GRF30), black

\*Please contact with us for your other color requests

RoHS

**4001 - Handle**

	Fixing on Top	Fixing on Bottom
Item Number	4001 - 001	4001 - 101



Handles

**Material**

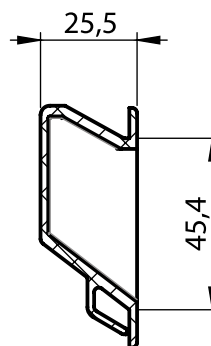
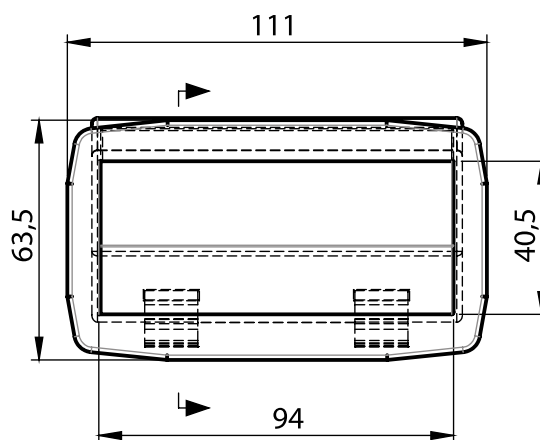
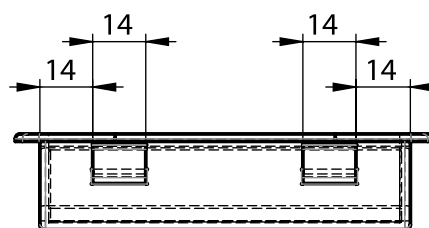
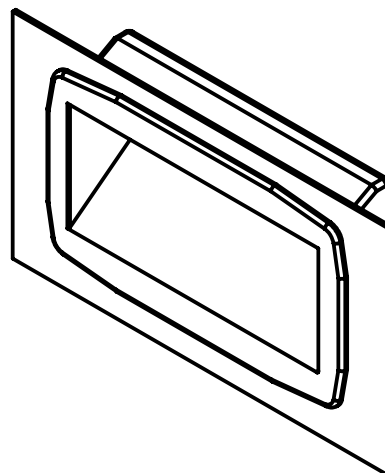
Poliamide (PA6 GRF30), black

\*Please contact with us for your other color requests

4002 - Handle

Item Number 4002 - 001
------------------------

RoHS
------

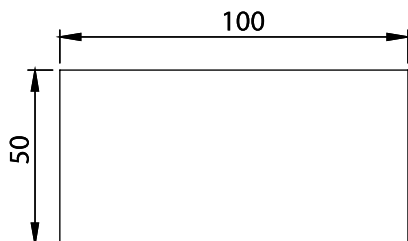


**Material**

Poliamide (PA6 GRF30), black

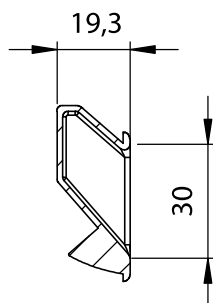
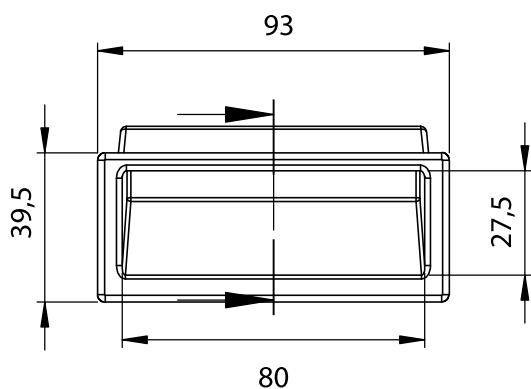
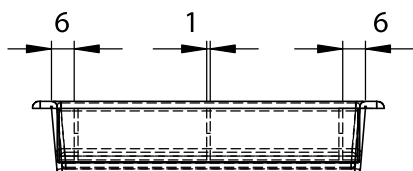
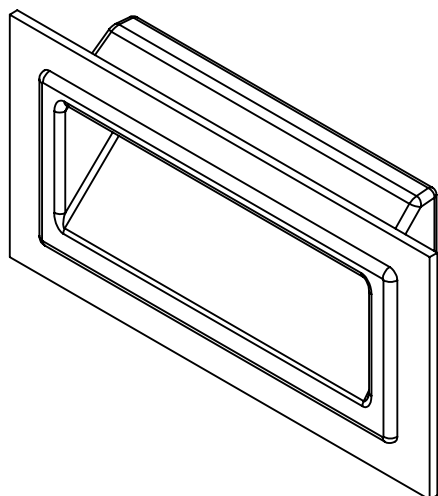
\*Please contact with us for your other color requests

**Cut Out**



**7204 - Dish Handle**

	TS= 0,8 - 1,2 mm	TS= 1,2 - 1,6 mm
Item Number	7204 - 001	7204 - 002



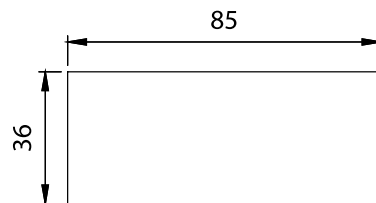
Handles

**Material**

Poliamide (PA6 GRF30), black

\*Please contact with us for your other color requests

Cut Out

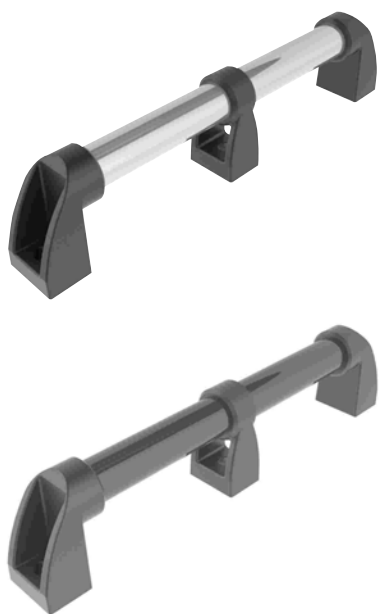


**7205 - Dish Handle**

	TS=0,8 - 1,6 mm
Item Number	7205 - 001

RoHS

Handles

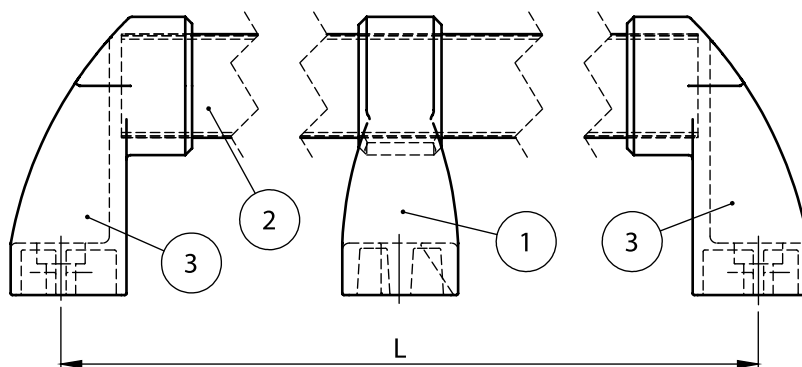
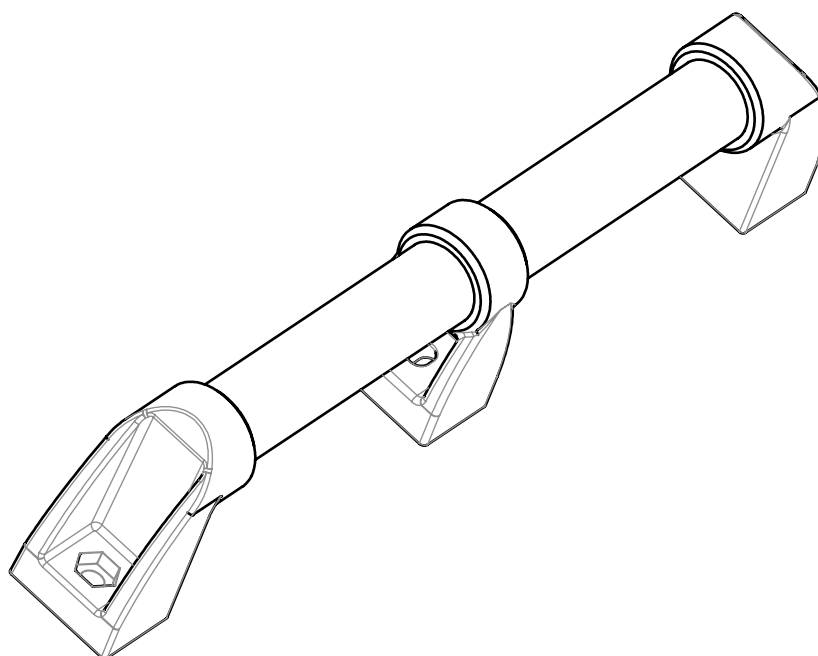


**Material**

**Side Parts** : Poliamide ( PA6 GFR 30), black

**Tube** : Plastic covered steel or anodized aluminium

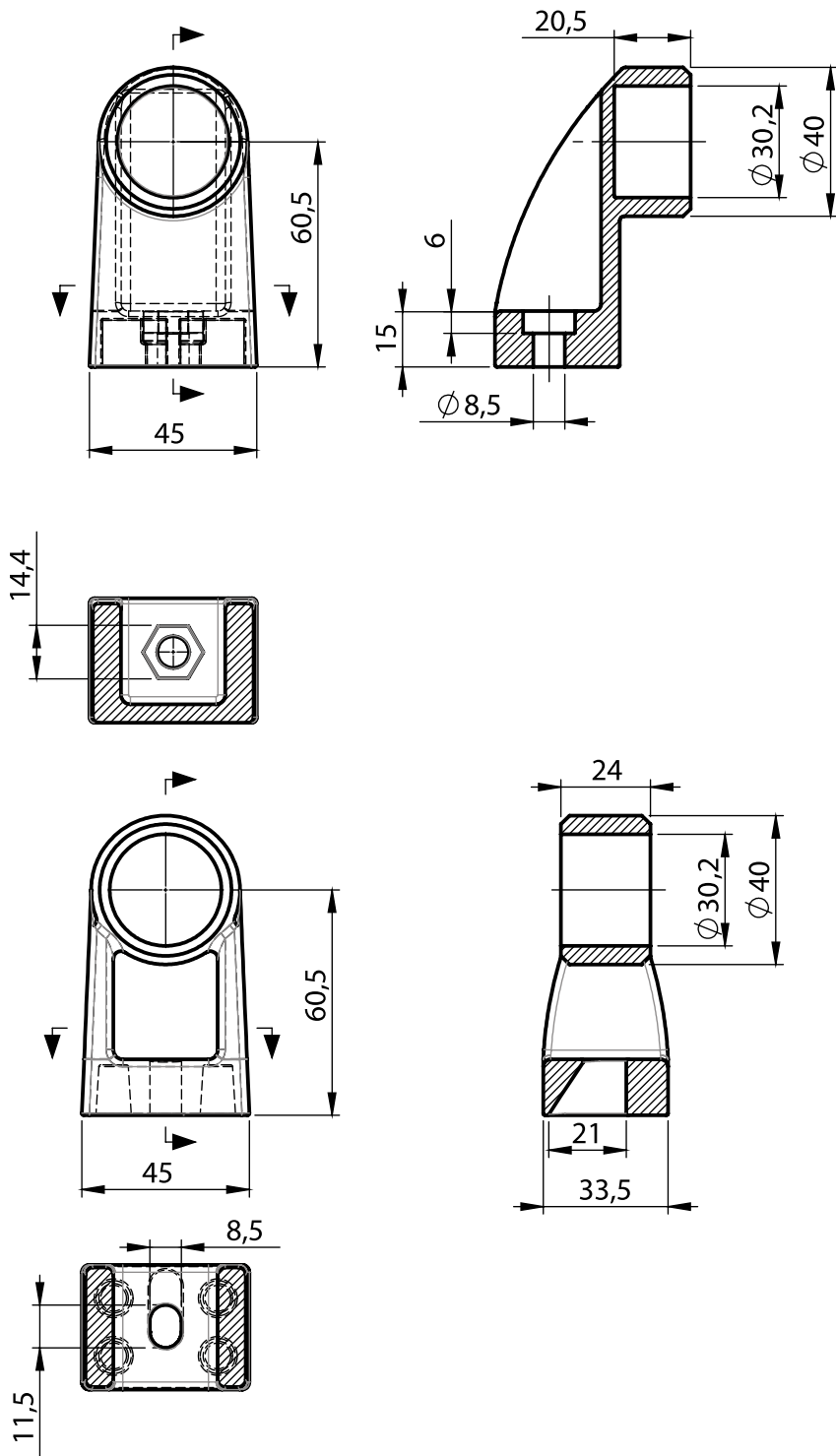
\* Thirth part should be used when L is longer than 1000 mm



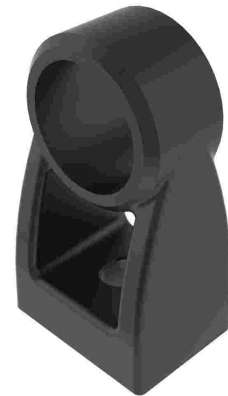
**4003 - Handle**

	L=200	L=300	L=400	L=500
Plastic Covered Steel Tube	4003 - 200	4003 - 300	4003 - 400	4003 - 500
Anodized Aluminium Tube	4103 - 200	4103 - 300	4103 - 400	4103 - 500

RoHS



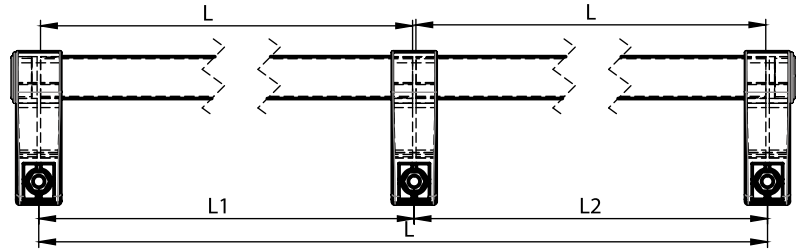
Middle Part	4003 - 101
-------------	------------



Handles

RoHS

Handles



**Material**

**Side Parts** : Poliamide ( PA6 GFR 30), black

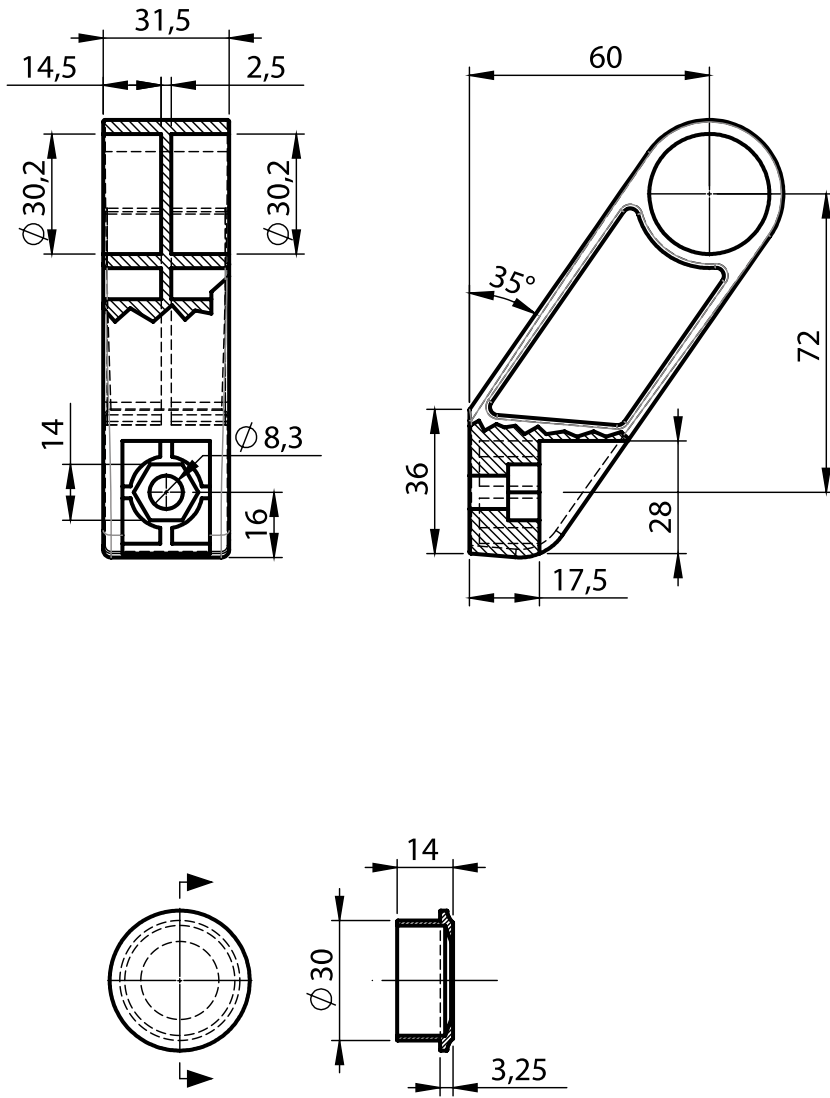
**Tube** : Plastic covered steel or anodized aluminium

\* Thirth part should be used when L is longer than 1000 mm

RoHS

**4004 - Handle**

	L=200	L=300	L=400	L=500
Plastic Covered Steel Tube	4004 - 200	4004 - 300	4004 - 400	4004 - 500
Anodized Aluminium Tube	4104 - 200	4104 - 300	4104 - 400	4104 - 500



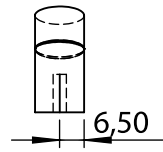
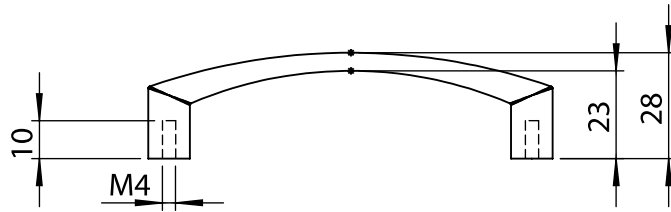
Handles

Middle Part	4004 - 101
-------------	------------

RoHS



Handles



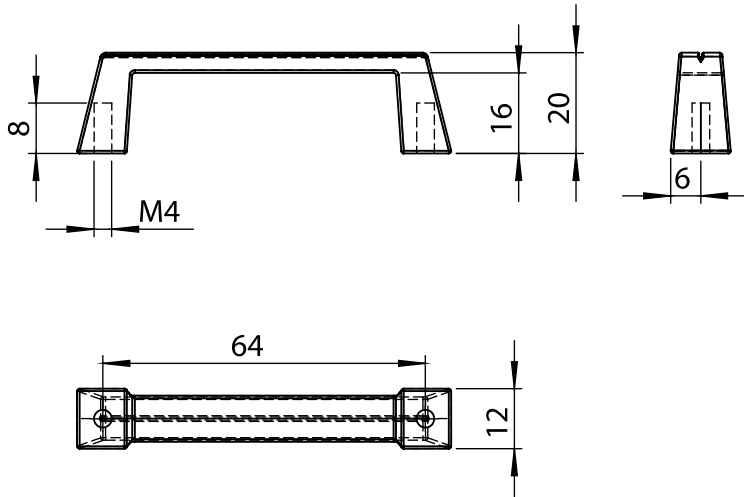
**Material**

Zinc die, chrome plated or black coated

**4011 - Handle For Drawer**

	Chrome Plated	Black Coated
Item Number	4011 - 220	4011 - 210

RoHS



4005 - Handle For Drawer

	Chrome Plated	Black Coated
Item Number	4005 - 220	4005 - 210

4005  
Handle For Drawer

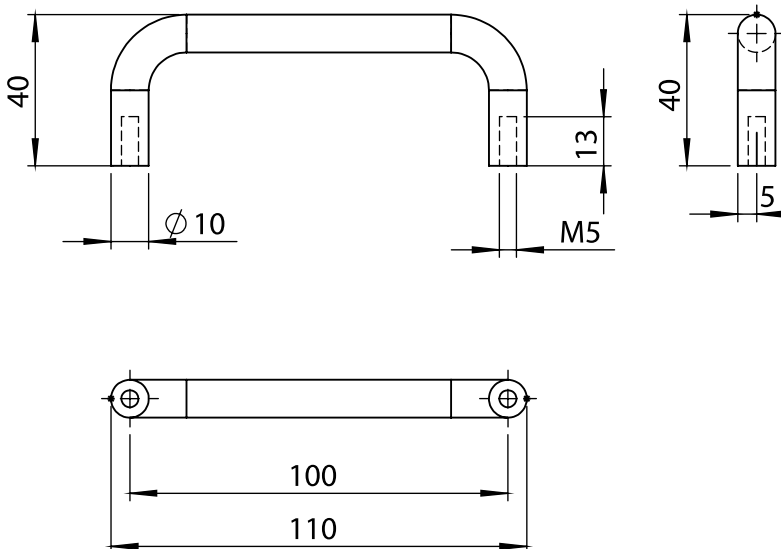


**Material**

Zinc die, chrome plated or black coated

RoHS

Handles



4006 - Handle For Drawer

	Chrome Plated
Item Number	4006 - 200

4006  
Handle For Drawer



**Material**

Aluminium,mat anodized

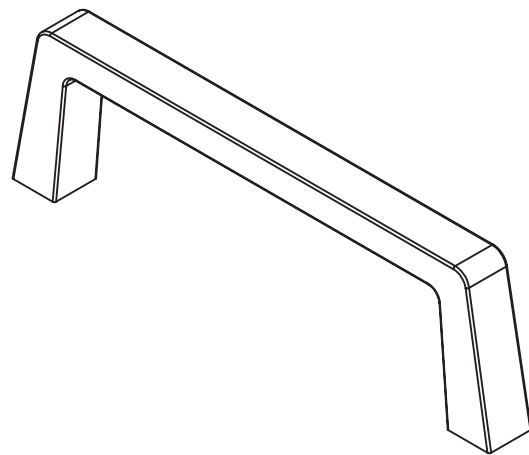
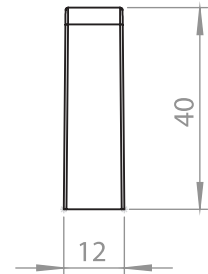
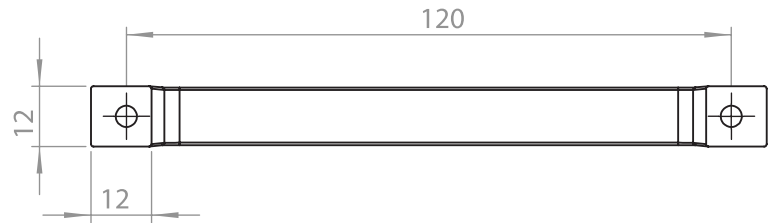
RoHS



Handle

**Material**

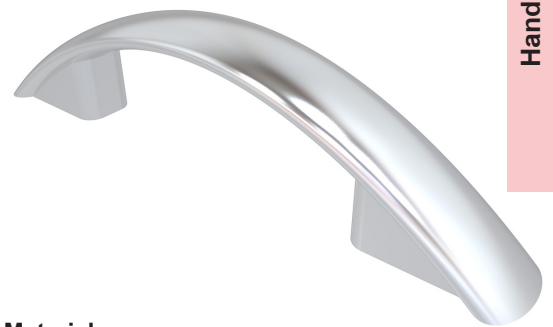
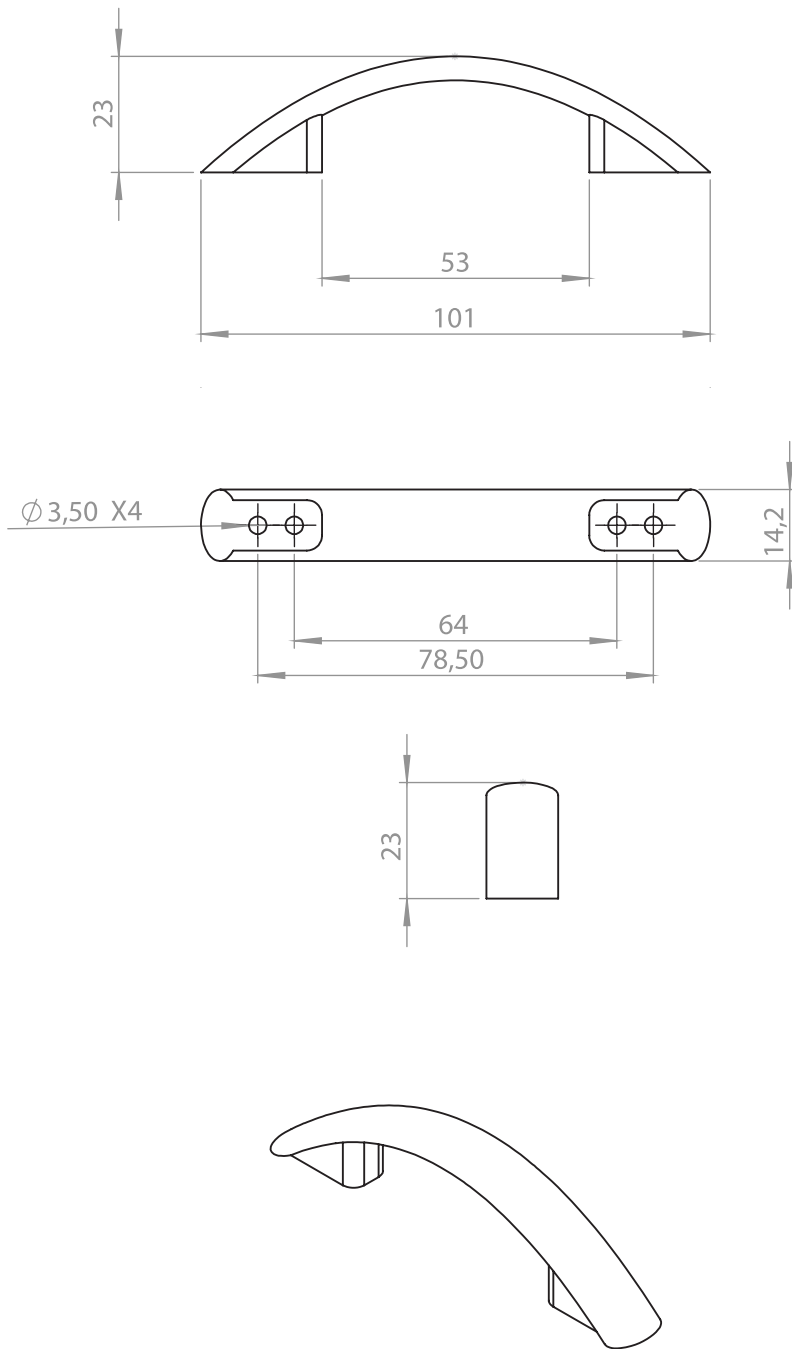
Zinc die, black coated or chrome plated



**4012 - Handle**

	Zinc Die Black Housing	Zinc Die Chrome Plating
Item Number	4012-210	4012-220

RoHS



Handle

**Material**

Zinc die, black coated, chrome plated or PA

**4013 - Handle**

	PA	Zinc Die Black Housing	Zinc Die Chrome Plating
Item Number	4013-100	4013-210	4013-220

RoHS