

HVAC Locks and Accessories

Malzeme

- Gövde** : Zamak, siyah boyalı
- Kilit Karşılığı** : Zamak, siyah boyalı
- Göbek** : Zamak, Krom Kaplı
- Kilit Dili** : Zamak

5220 - Surface Mounted Door Lock

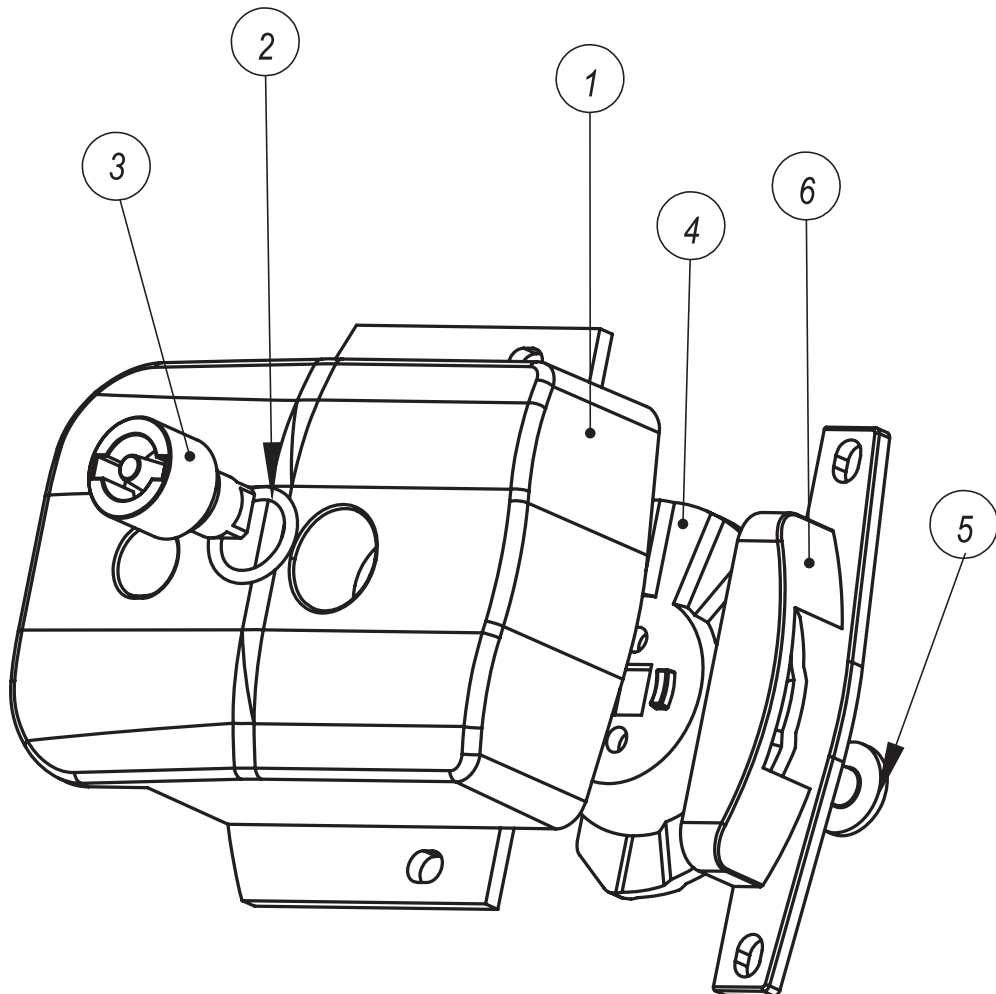
		L=0	L=10	L=20
	Double insert 3 mm	5220 - 001	5220 - 011	5220 - 021
	Double insert 5 mm	5220 - 002	5220 - 012	5220 - 022
	Triangular 7 mm	5220 - 007	5220 - 017	5220 - 027
	Triangular 8 mm	5220 - 003	5220 - 013	5220 - 023
	Triangular 9 mm	5220 - 009	5220 - 019	5220 - 029
	Square 7 mm	5220 - 004	5220 - 014	5220 - 024
	Square 8 mm	5220 - 005	5220 - 015	5220 - 025

IP 65

Complete Zinc-die



LH/RH

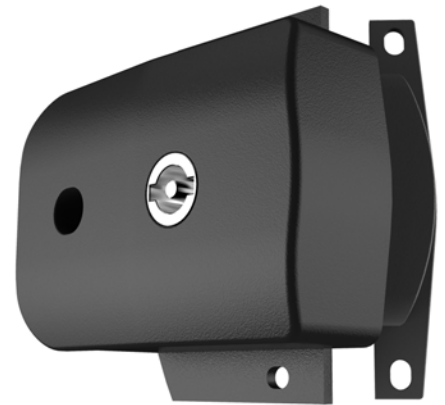
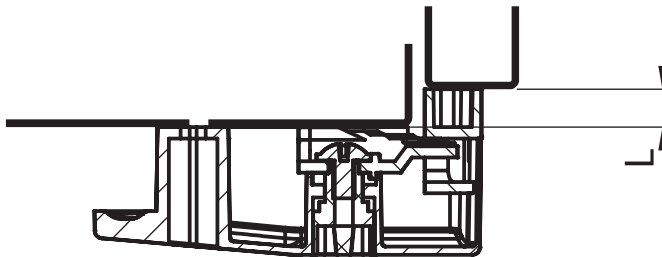
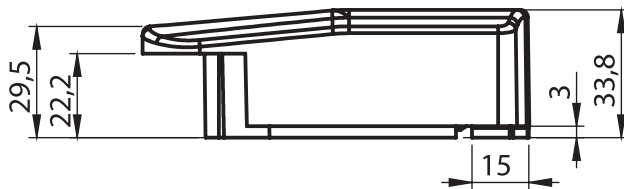
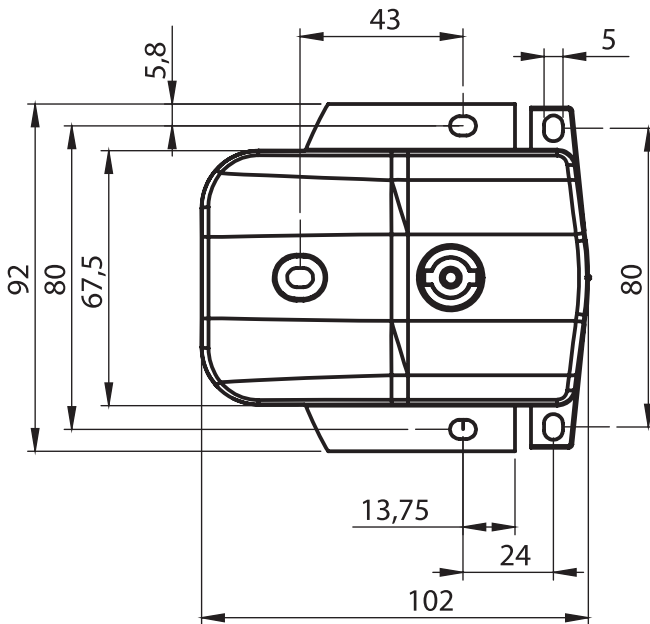


- 1. Housing
- 2. O-Ring
- 3. Insert

- 4. Stepped Cam
- 5. Screw
- 6. Catch

* Please see pages for Insert Types

** Versions for different door thickness are available.



HVAC Locks and Accessories

Material

- Housing** : Polyamide (PA6 GFR30), black
- Catch** : Zinc die, black coated
- Insert** : Zinc die, chrome plated
- Insert Cam** : Zinc die

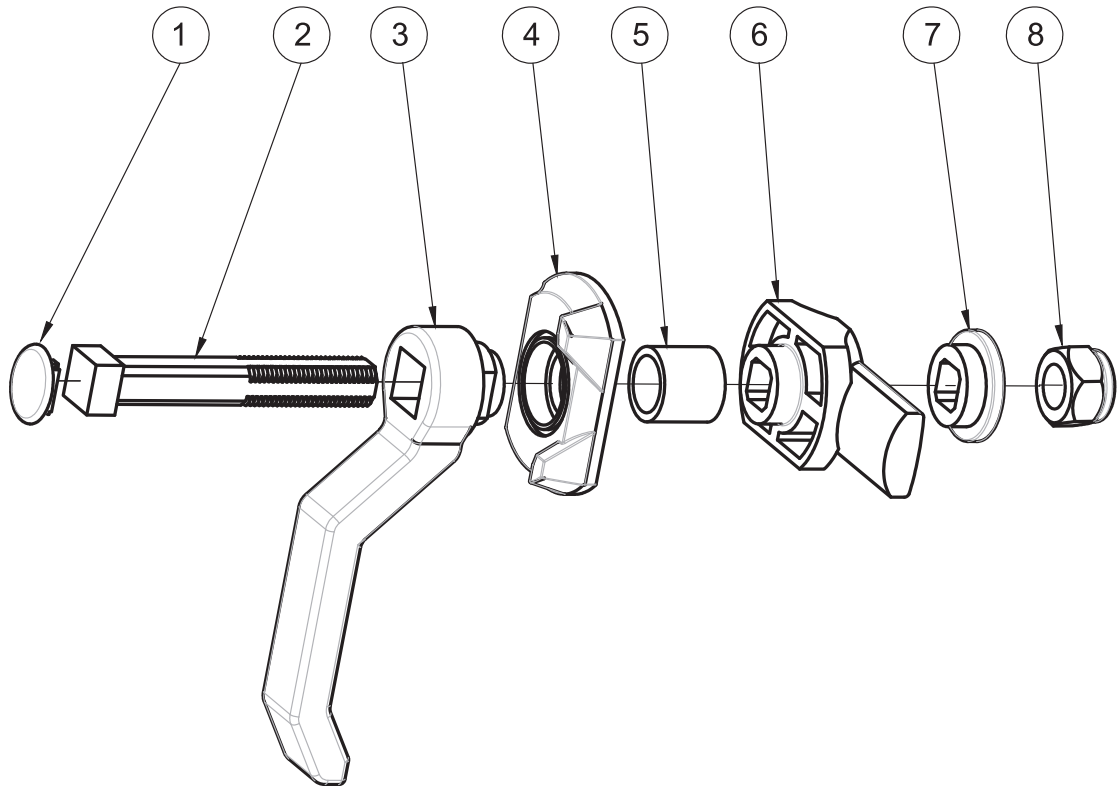
5230 - Surface Mounted Door Lock

		L=0	L=10	L=20
	Double insert 3 mm	5230 - 001	5230 - 011	5230 - 021
	Double insert 5 mm	5230 - 002	5230 - 012	5230 - 022
	Triangular 7 mm	5230 - 007	5230 - 017	5230 - 027
	Triangular 8 mm	5230 - 003	5230 - 013	5230 - 023
	Triangular 9 mm	5230 - 009	5230 - 019	5230 - 029
	Square 7 mm	5230 - 004	5230 - 014	5230 - 024
	Square 8 mm	5230 - 005	5230 - 015	5230 - 025

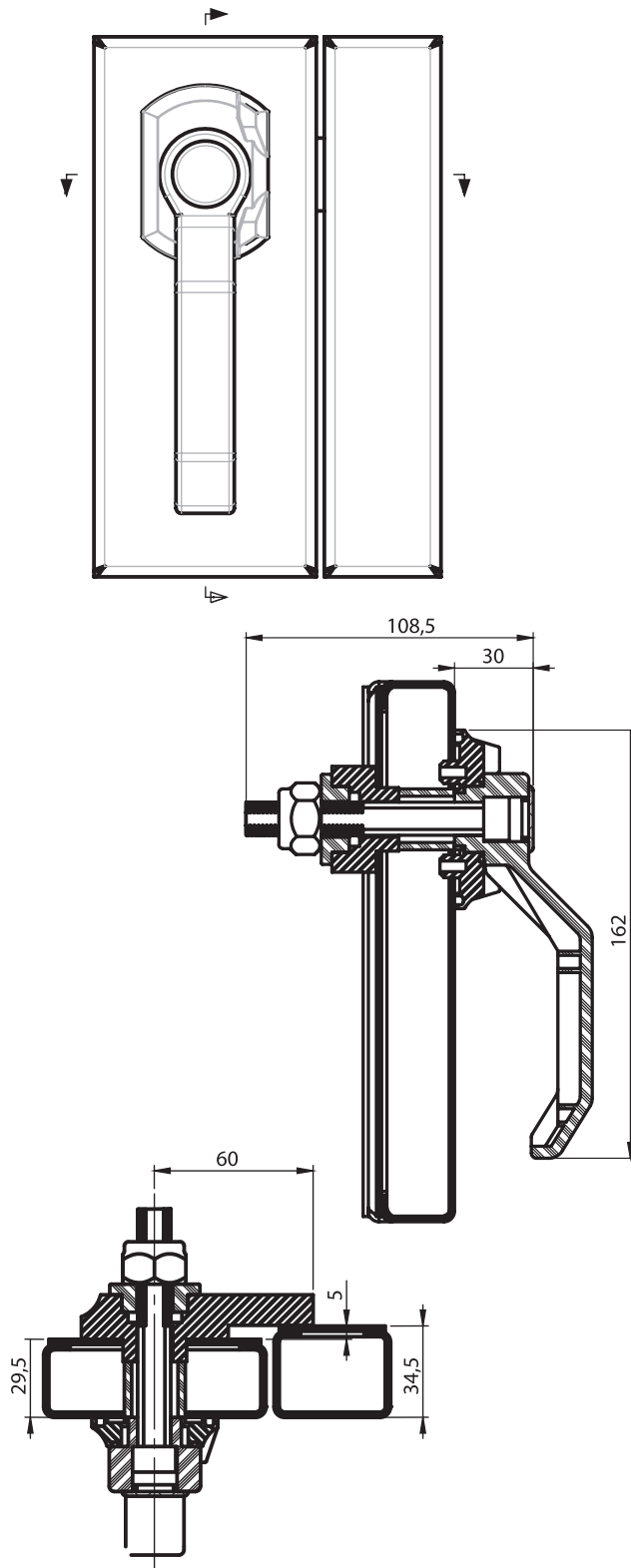
IP 65



LH/RH



- | | |
|------------------|-----------------|
| 1. Cover | 6. Inside Bezel |
| 2. Shaft | 7. Cam |
| 3. Handle | 8. Cover |
| 4. Outside Bezel | 9. Nut |
| 5. Tube | |



HVAC Locks and Accessories

Material

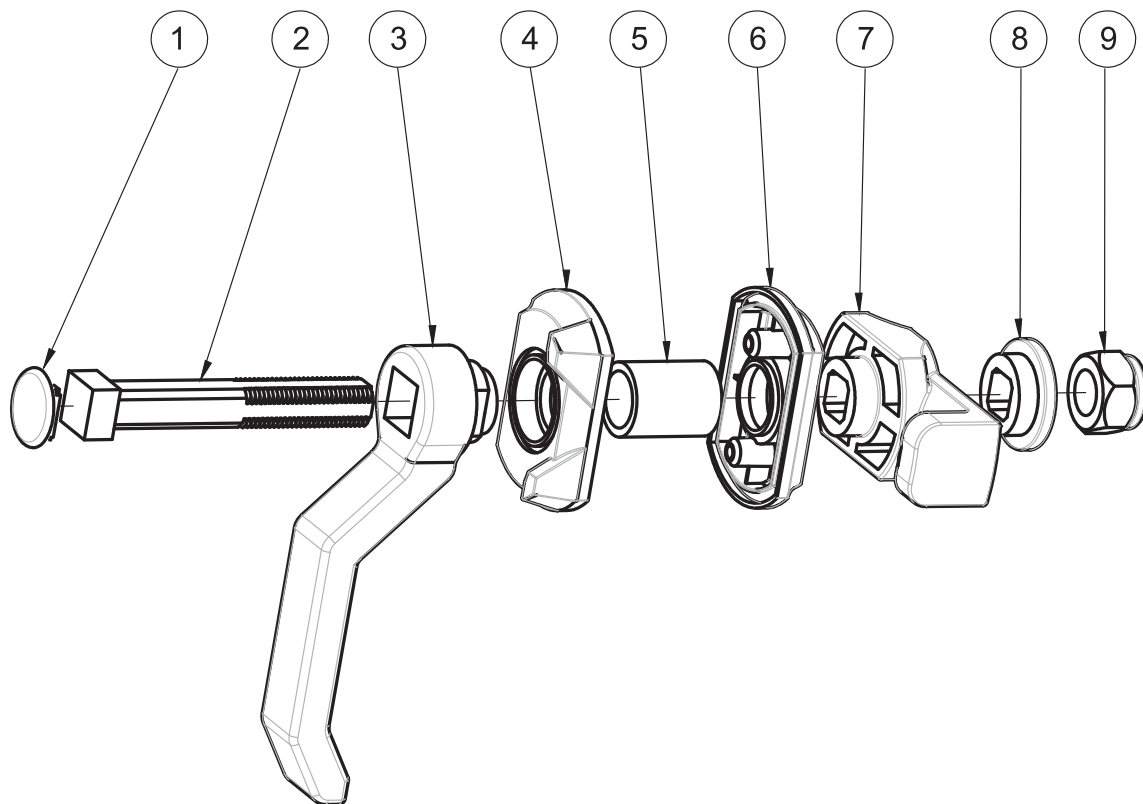
- Handle** : Polyamide (PA6 GFR30), black
- Bezel** : Polyamide (PA6 GFR30), black
- Cover** : Polyamide (PA6 GFR30), black
- Tube** : Polyamide (PA6 GFR30), black
- Cam** : Polyamide (PA6 GFR30), black
- Schaft** : Zinc die

5100 - HVAC Heavy Duty Lock - Flat Cam

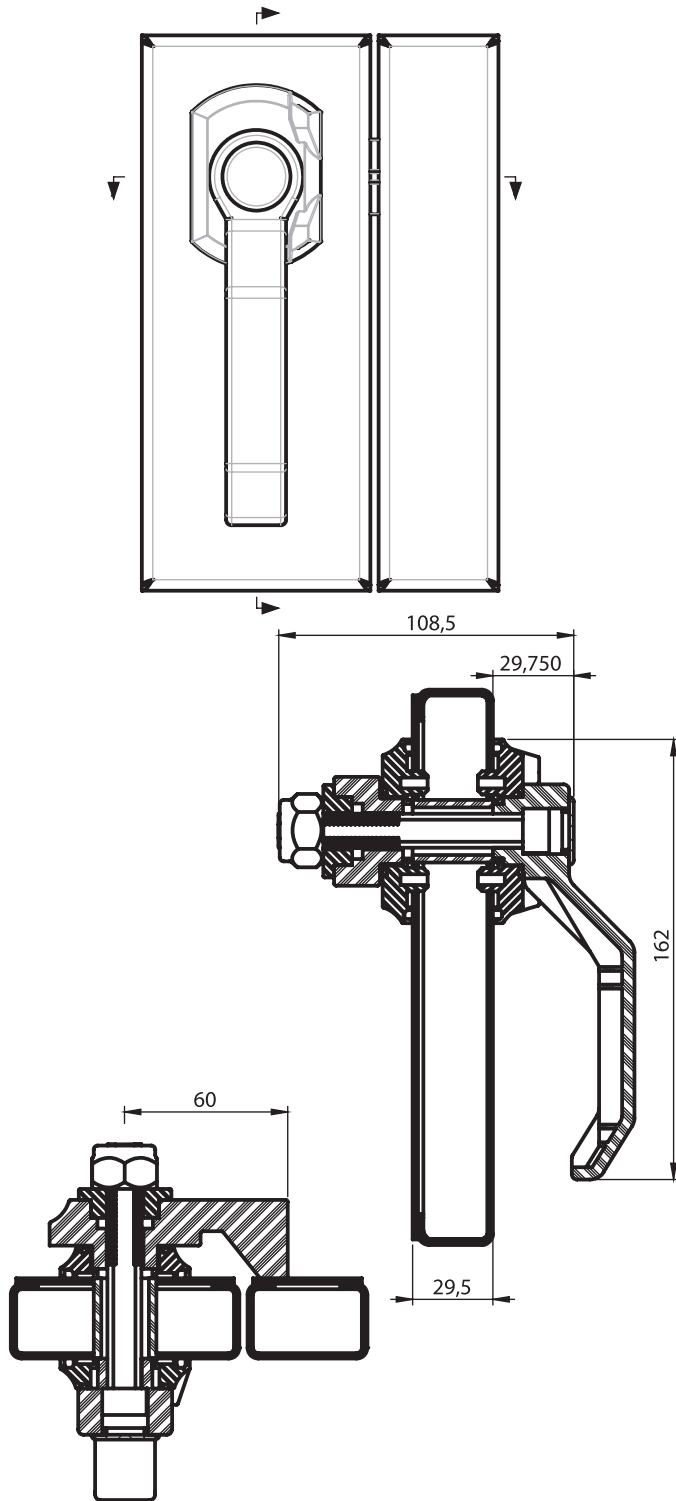
Max. Door Thickness	Outside Bezel Type		
	180°	90° right	90° right
30	5100 - 321	5100 - 521	5100 - 621
50	5100 - 322	5100 - 522	5100 - 622
70	5100 - 323	5100 - 523	5100 - 623



LH/RH



- | | |
|------------------|-----------------|
| 1. Cover | 6. Inside Bezel |
| 2. Schaft | 7. Cam |
| 3. Handle | 8. Cover |
| 4. Outside Bezel | 9. Nut |
| 5. Tube | |



Material

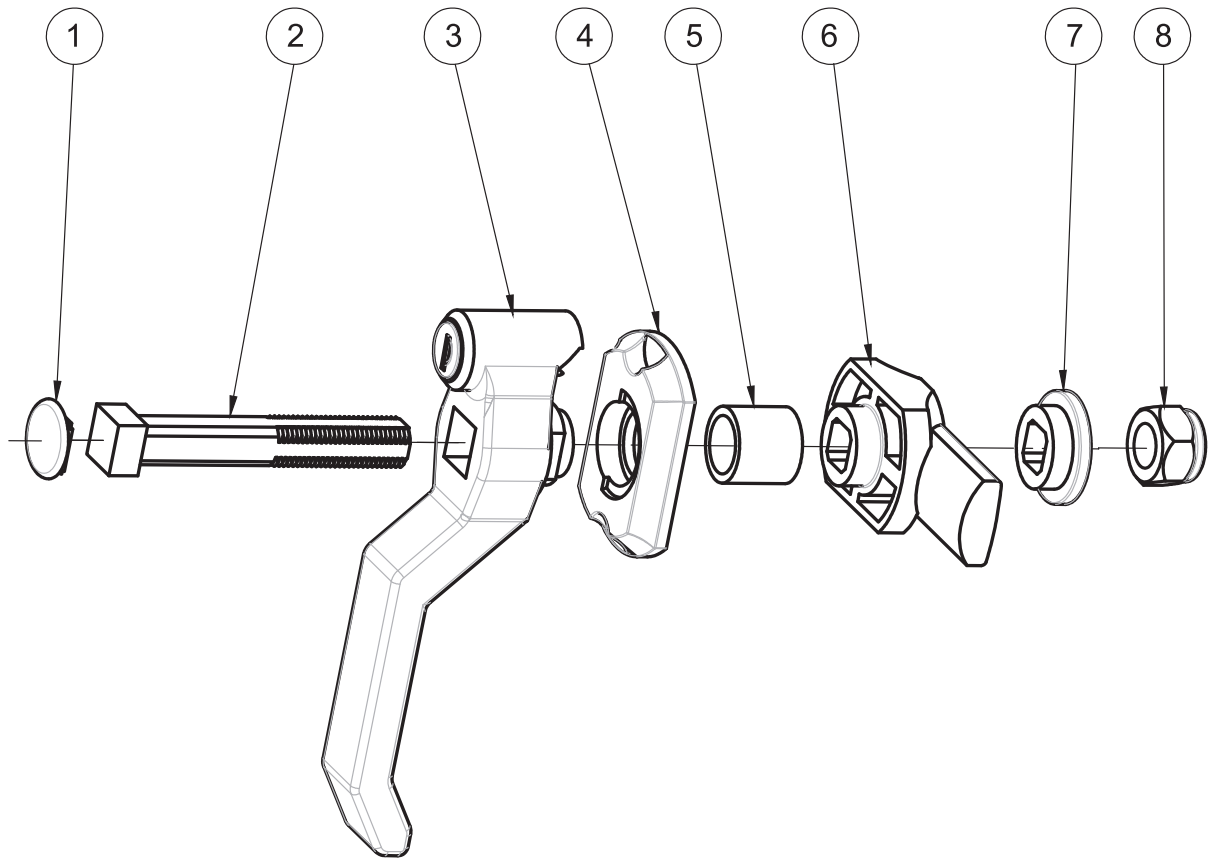
- Handle** : Polyamide (PA6 GFR30), black
- Bezel** : Polyamide (PA6 GFR30), black
- Cover** : Polyamide (PA6 GFR30), black
- Tube** : Polyamide (PA6 GFR30), black
- Cam** : Polyamide (PA6 GFR30), black
- Schaft** : Zinc die

5100 - HVAC Heavy Duty Lock - Flat Cam

Max. Door Thickness	Outside Bezel Type	180°		90° right		90° left	
	Inside Bezel Type	Rectangular	Round	Rectangular	Round	Rectangular	Round
25		5100-311	5100-411	5101-511	5102-511	5101-611	5102-611
40		5100-312	5100-412	5101-512	5102-512	5101-612	5102-612
50		5100-313	5100-413	5101-513	5102-513	5101-613	5102-613

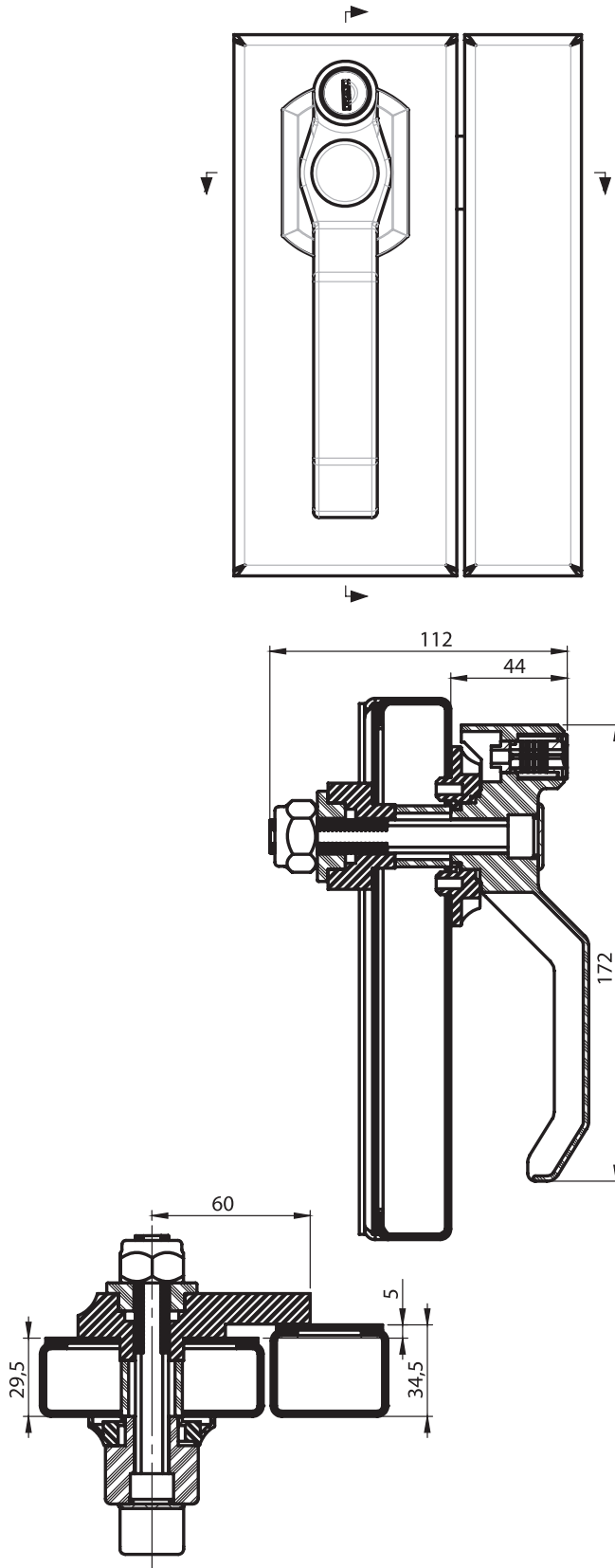


LH/RH



- 1. Blind cap
- 2. Schaft
- 3. Handle
- 4. Bezel
- 5. Spacer

- 6. Bezel
- 7. Cam
- 8. Bush
- 9. Nut



5200 - HVAC Heavy Duty Lock - Flat Cam - Lockable Handle

Max. Door Thickness	
30	5200 - 221
50	5200 - 222
70	5200 - 223

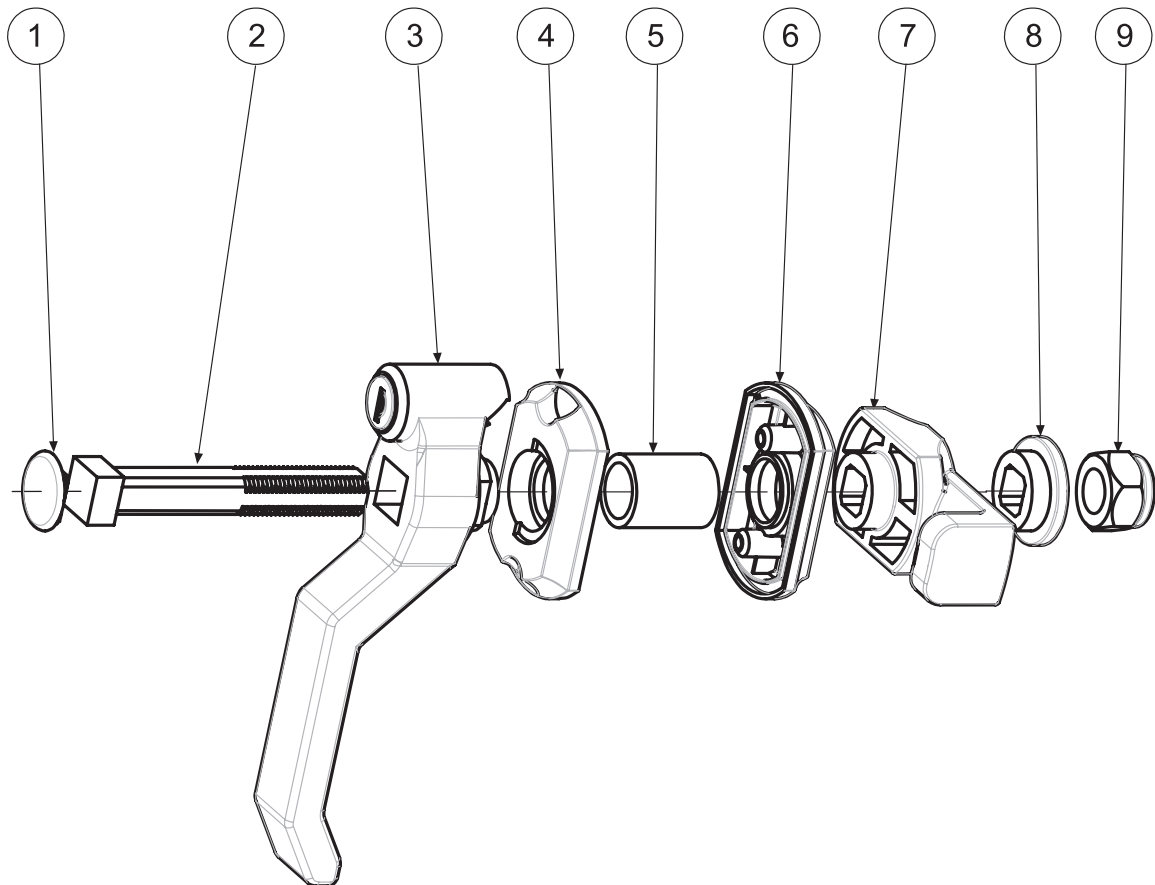


HVAC Lock and Accessories

Material

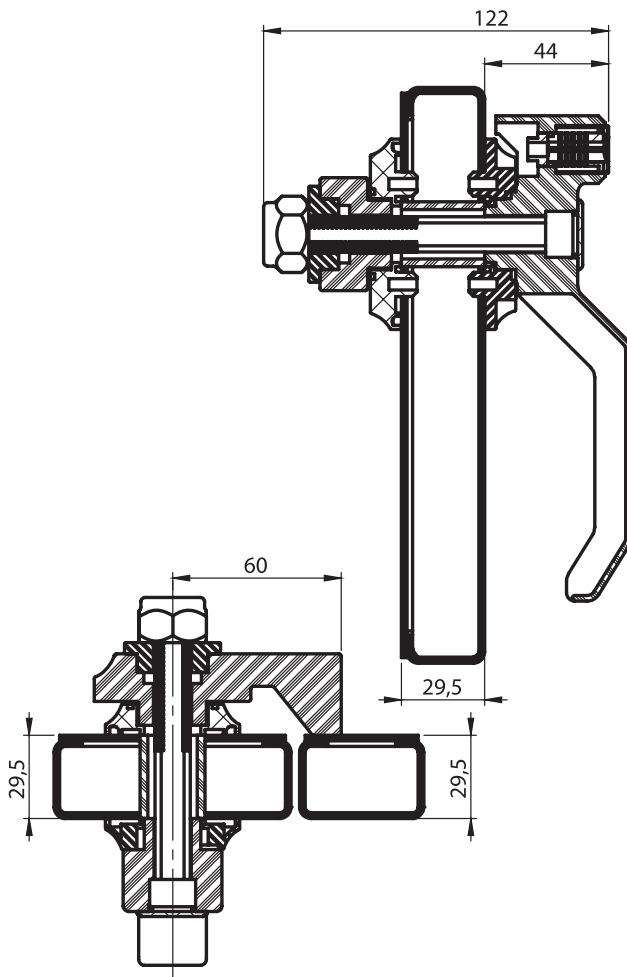
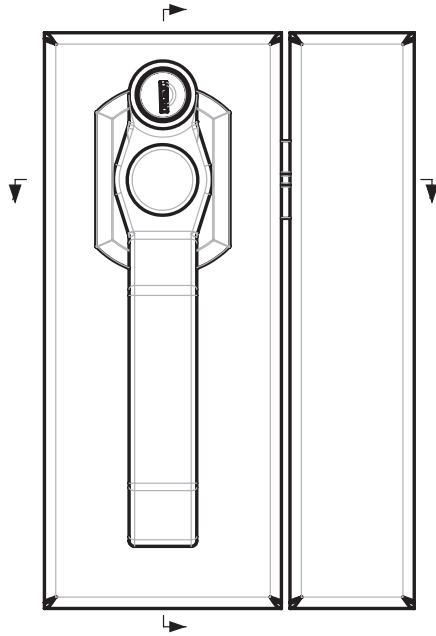
- Handle** : Polyamide (PA6 GFR30), black
- Bezel** : Polyamide (PA6 GFR30), black
- Blind cap** : Polyamide (PA6 GFR30), black
- Spacer** : Polyamide (PA6 GFR30), black
- Cam** : Polyamide (PA6 GFR30), black
- Bush** : Polyamide (PA6 GFR30), black
- Schaft** : Zinc die





- 1. Blind cap
- 2. Schaft
- 3. Handle
- 4. Bezel
- 5. Spacer

- 6. Bezel
- 7. Cam
- 8. Bush
- 9. Nut



5200 - HVAC Heavy Duty Lock - Bended Cam - Lockable Handle

Max. Door Thickness	Back Bezel	
	Rectangular	Round
25	5200 - 511	5200 - 711
40	5200 - 512	5200 - 712
50	5200 - 513	5200 - 713



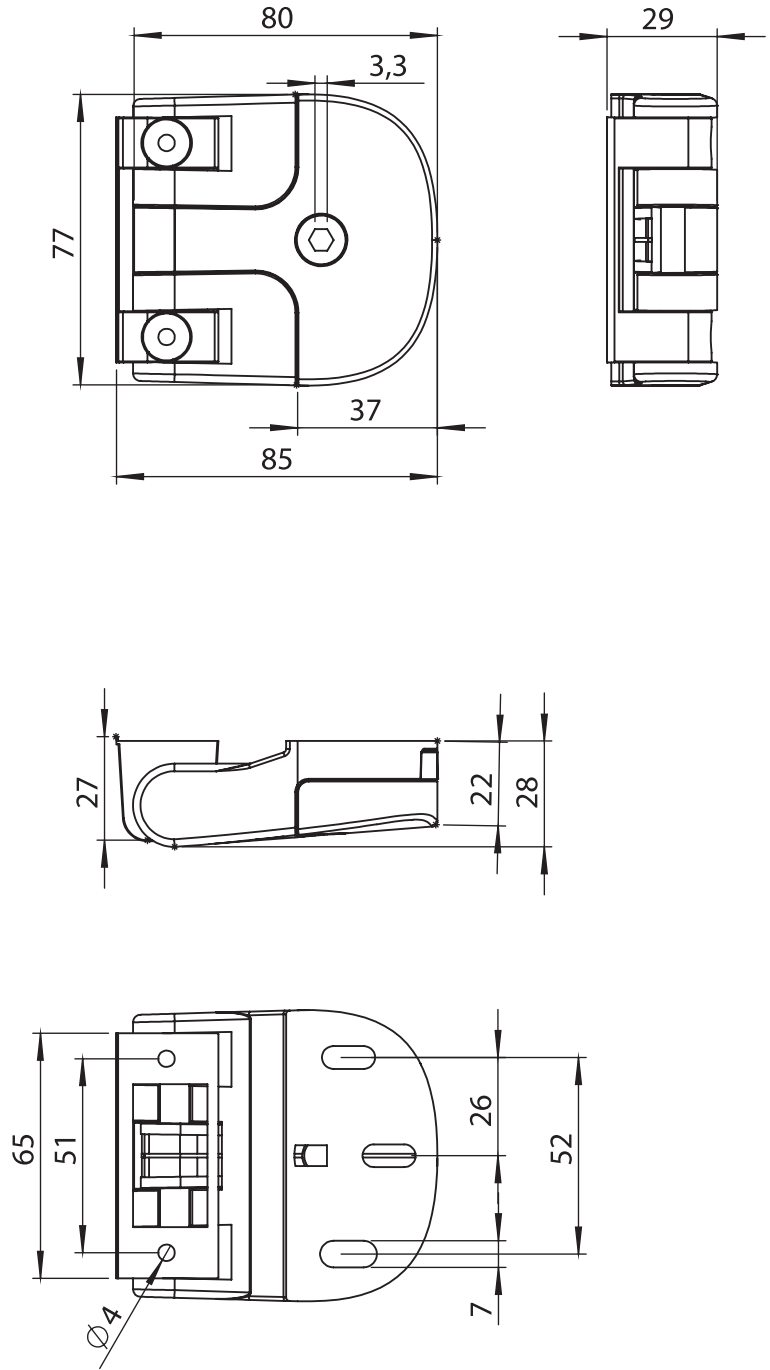
HVAC Lock and Accessories

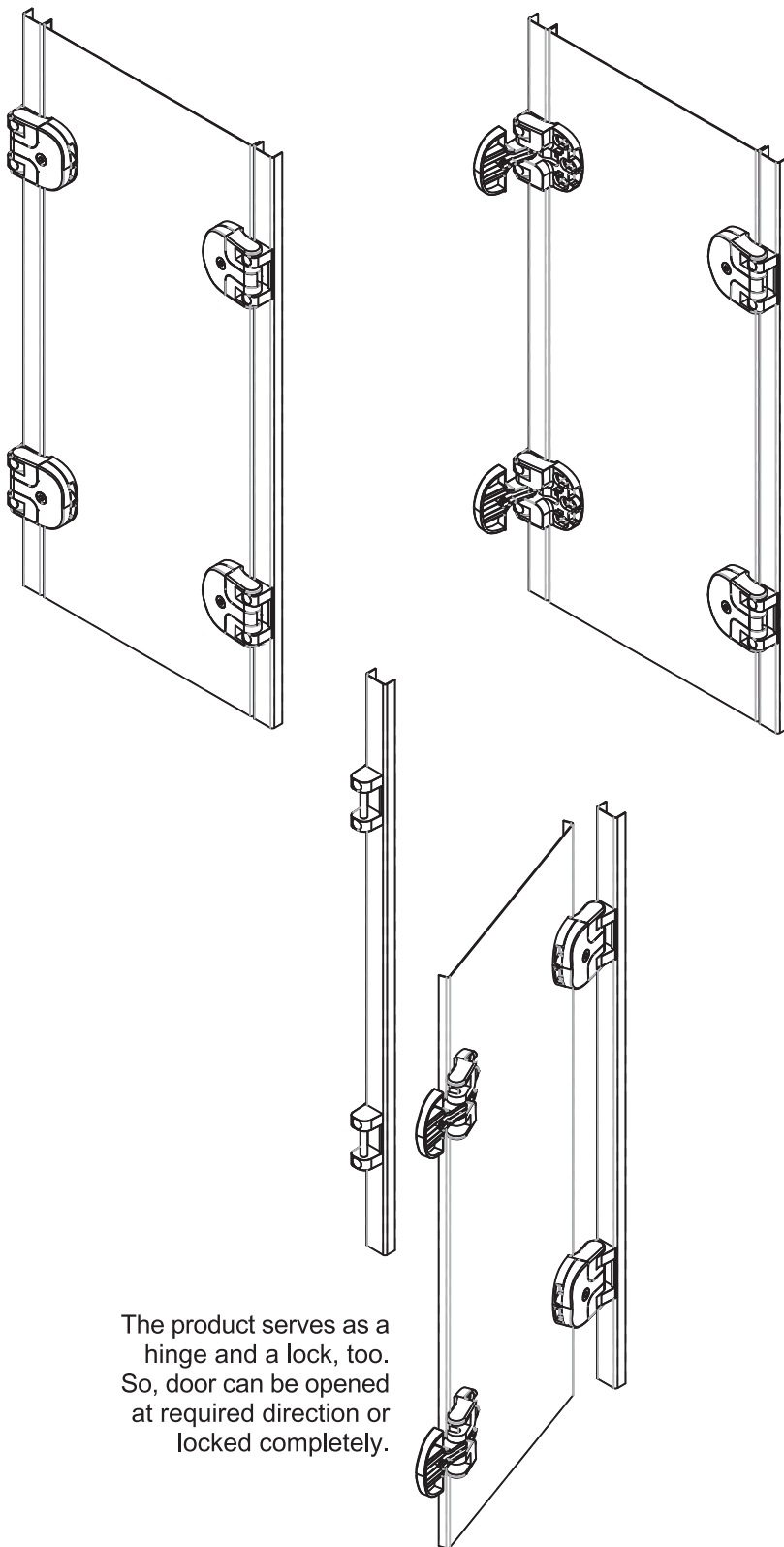
Material

- Handle** : Polyamide (PA6 GFR30), black
- Bezel** : Polyamide (PA6 GFR30), black
- Blind cap** : Polyamide (PA6 GFR30), black
- Spacer** : Polyamide (PA6 GFR30), black
- Cam** : Polyamide (PA6 GFR30), black
- Bush** : Polyamide (PA6 GFR30), black
- Schaft** : Zinc die



LH/RH





The product serves as a hinge and a lock, too. So, door can be opened at required direction or locked completely.

5710 - HVAC Hinge

Item Number	5710 - 100
-------------	------------



HVAC Lock and Accessories

Material

Housing : Polyamide (PA6 GFR30), black
Catch : Polyamide (PA6 GFR30), black

Complete PA



LH/RH

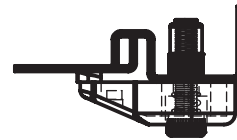
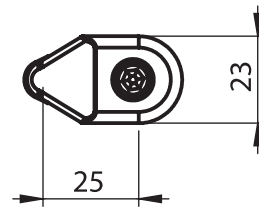
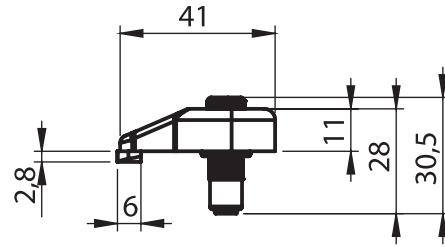
**7002
Bridge Clamp**

HVAC Lock and Accessories



Material

- Wing** : Polyamide, black
- Screw** : Steel, zinc plated



7002 - Bridge Clamp

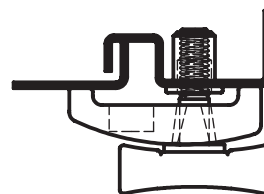
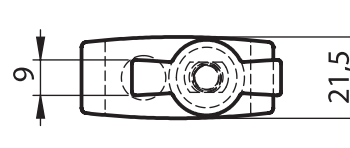
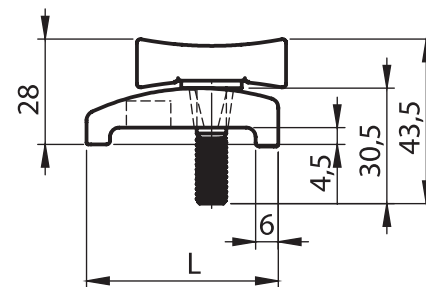
Item Number	7002 - 005
-------------	------------

**7002
Bridge Clamp**



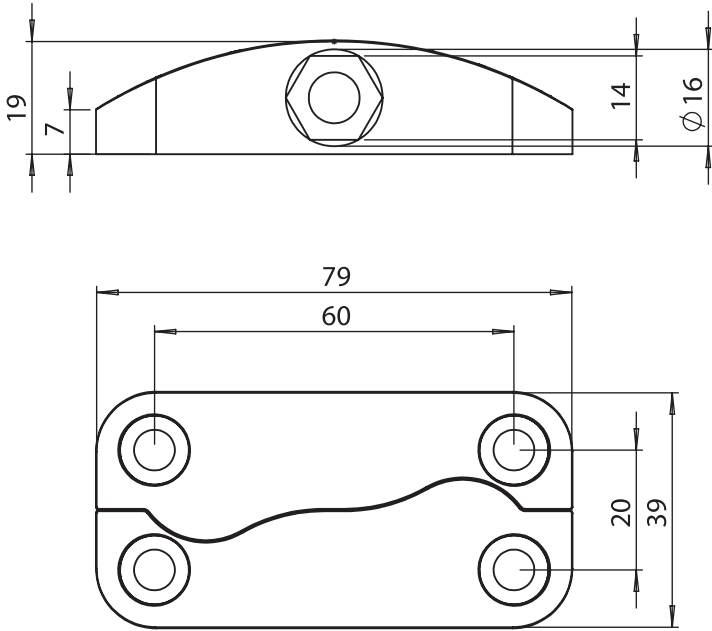
Material

- Wing** : Polyamide, black
- Screw** : Steel, zinc plated or
Stainless Steel AISI 304



7002 - Bridge Clamp

	L=46	L=50,5
Steel screw	7002 - 001	7002 - 002
Stainless steel screw	7002 - 101	7002 - 102



5820 - Module Connection Part

Item Number	5820 - 200
-------------	------------

5820 Module Connection Part



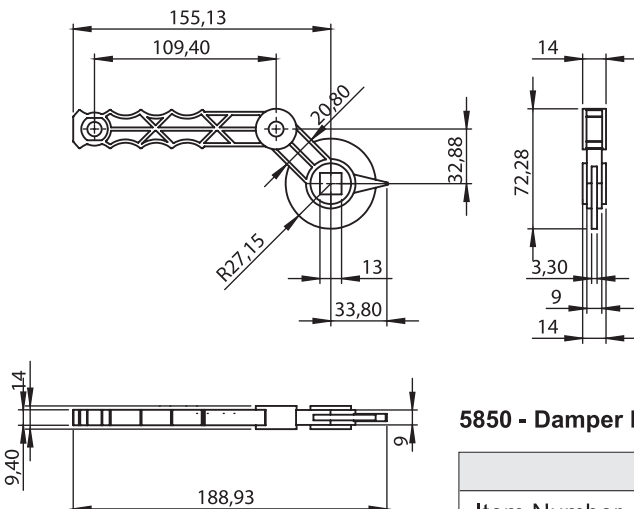
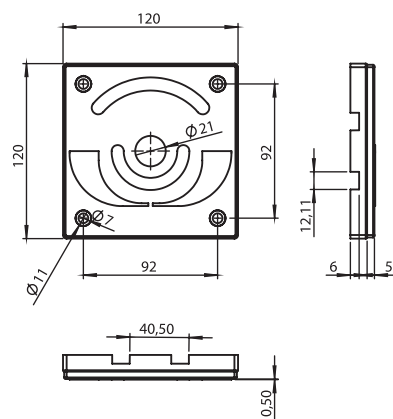
Material

Housing : Aluminium



LH/RH

HVAC Lock and Accessories



5850 - Damper Handle

Item Number	5850 - 100
-------------	------------

5850 Damper Handle



Material

PA

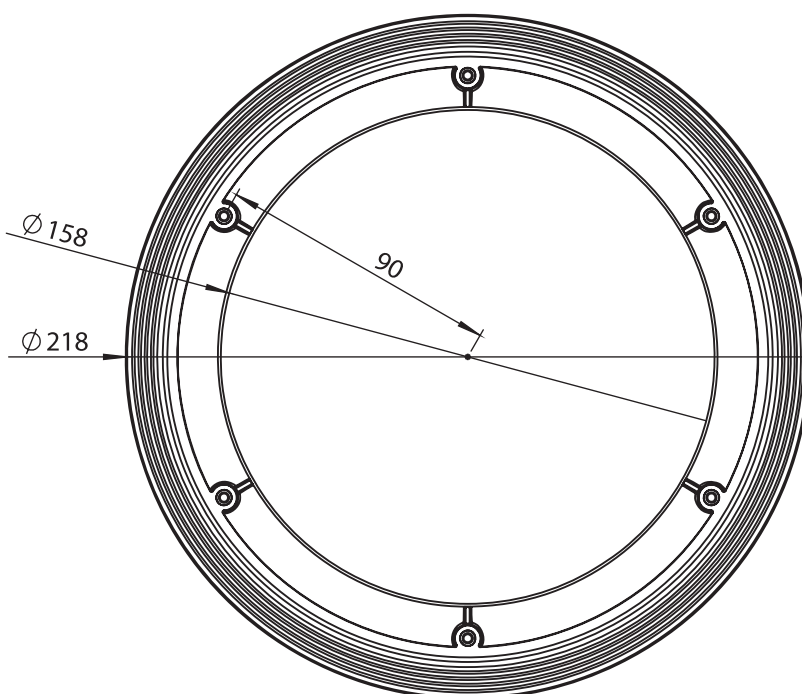


LH/RH

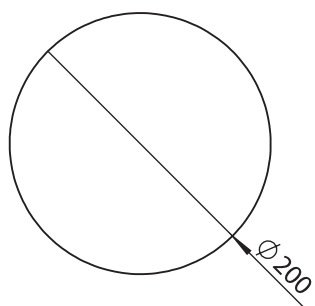


Material

PC



Cut out

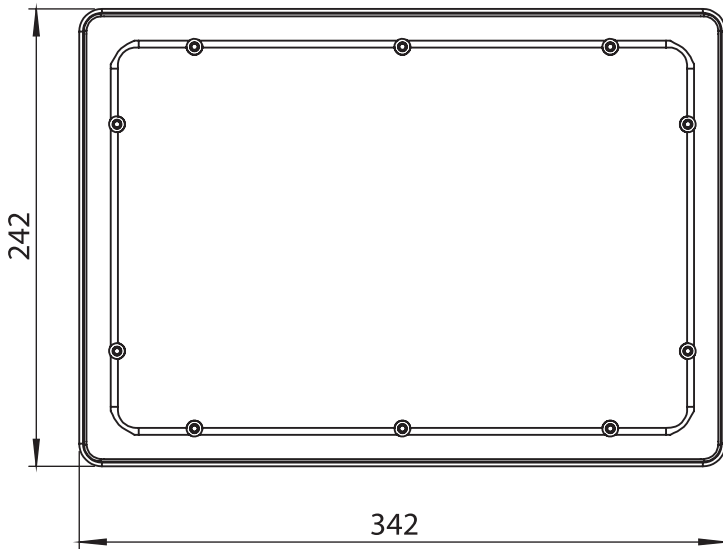


5540 - Viewing Window

Door Thickness	Item Number
30	5540 - 300
40	5540 - 400
50	5540 - 500
60	5540 - 600



LH/RH



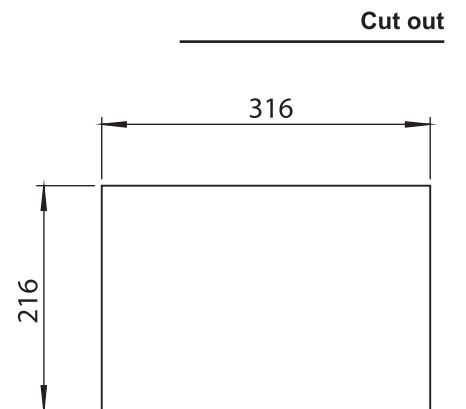
HVAC Lock and Accessories

Material

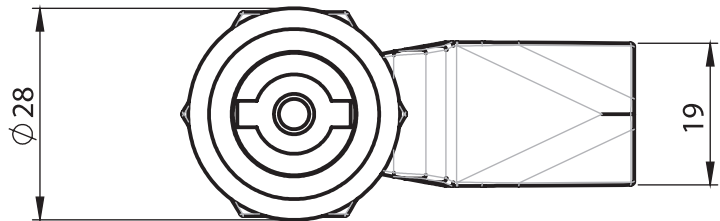
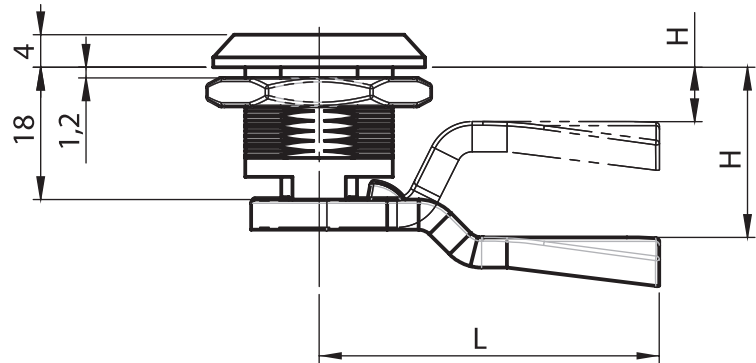
PC

5550 - Viewing Window

Door Thickness	Item Number
30	5550 - 300
40	5550 - 400
50	5550 - 500
60	5550 - 600



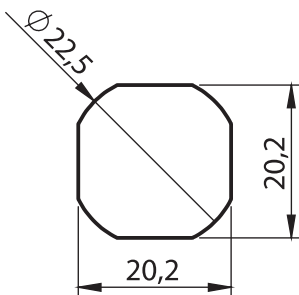
LH/RH



Material

- Housing** : Polyamide (PA6 GFR30), black or Zinc die, black coated
- Insert** : Polyamide (PA6 GFR30), black or Zinc die, polyamide coated
- Cam** : Polyamide (PA6 GFR30) or Steel, zinc plated

Cut out



1800 - GH=18 Quarter Turn

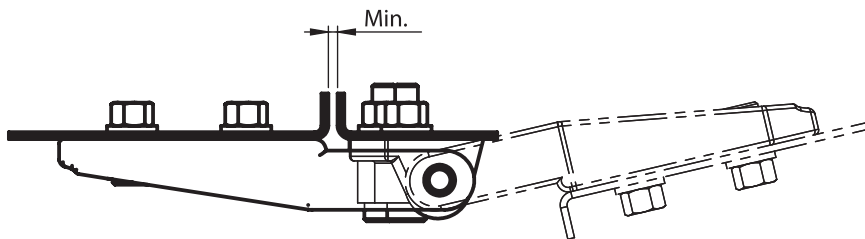
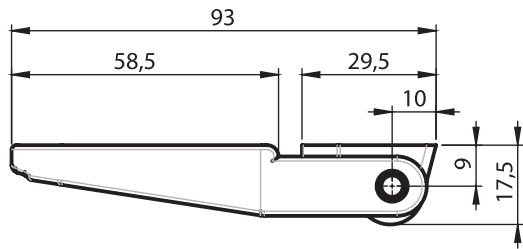
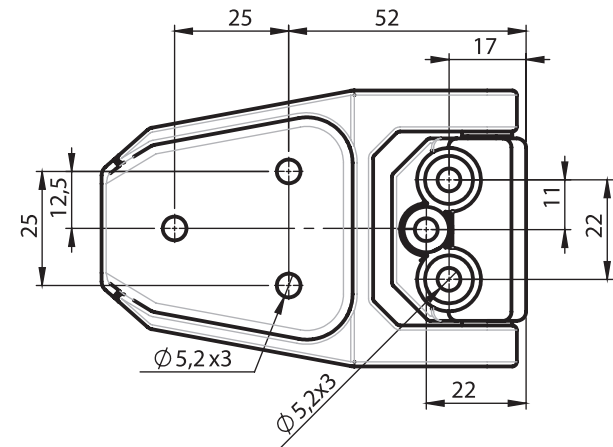
		PA	Chrome Plated	Black Coated
	Double bit 3 mm	1810 - 101 - xxx	1820 - 201 - xxx	1830 - 301 - xxx
	Double bit 5 mm	1810 - 102 - xxx	1820 - 202 - xxx	1830 - 302 - xxx
	Triangular 8 mm	1810 - 103 - xxx	1820 - 203 - xxx	1830 - 303 - xxx
	Triangular 9 mm	1810 - 109 - xxx	1820 - 209 - xxx	1830 - 309 - xxx
	Square 7 mm	1810 - 104 - xxx	1820 - 204 - xxx	1830 - 304 - xxx
	Square 8 mm	1810 - 105 - xxx	1820 - 205 - xxx	1830 - 305 - xxx
	Slotted	1810 - 108 - xxx	1820 - 208 - xxx	1830 - 308 - xxx
	Eastern European Type	1810 - 110 - xxx	1820 - 210 - xxx	1830 - 310 - xxx

IP 65



LH/RH

RoHS



HVAC Lock and Accessories

Material

Hinge Parts : Polyamide (PA6 GFR30), black
Pin : Steel, zinc plated

..... **3010 - 180° Hinge**

Item Number	3010 - 100
-------------	------------

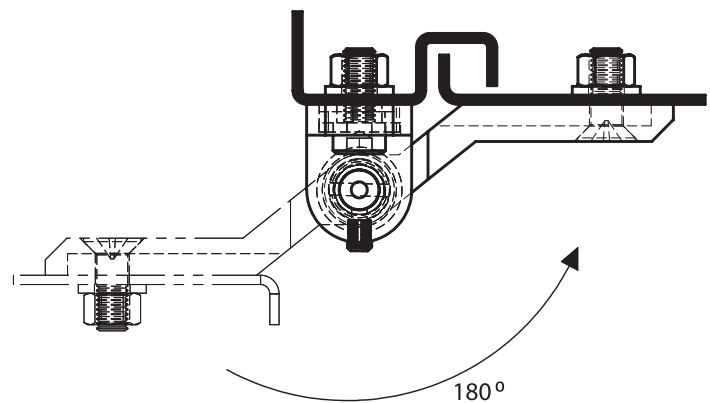
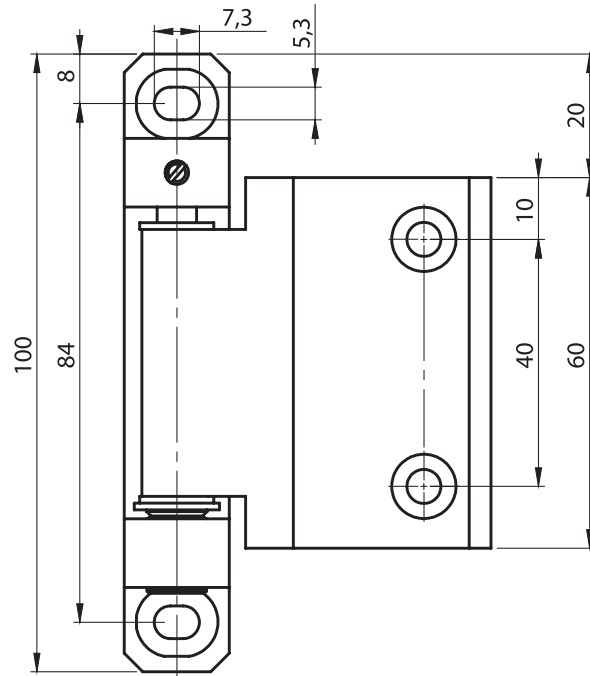
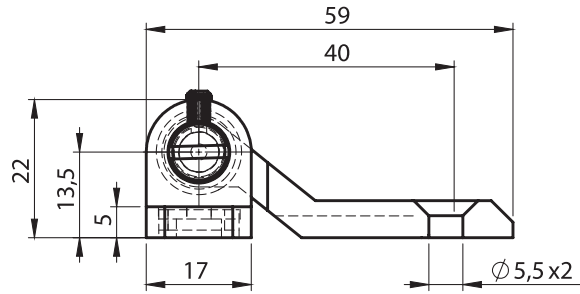
LH/RH



Complete PA



HVAC Lock and Accessories



Material

Housing : Zinc die, chrome plated or black coated

Pin : Steel or Stainless Steel AISI 304

Washers : Polyamide (PA6 GFR30)

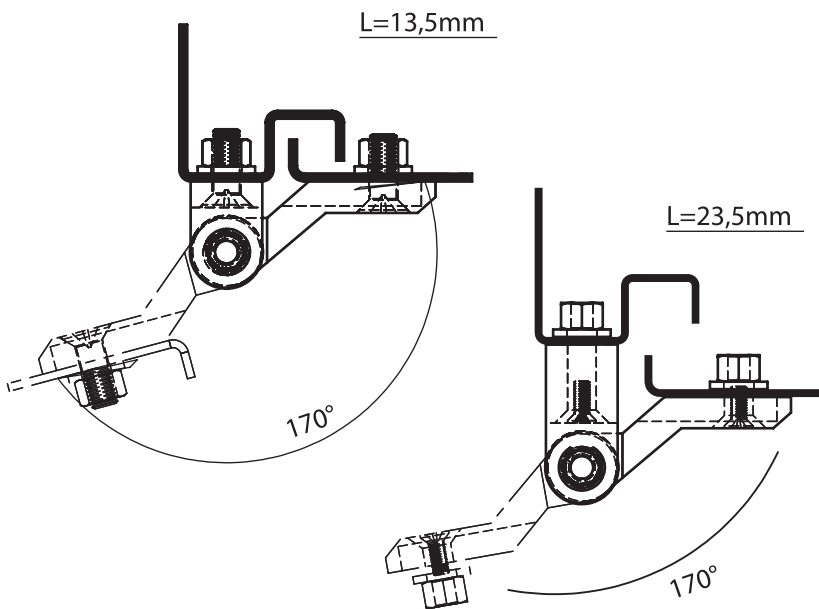
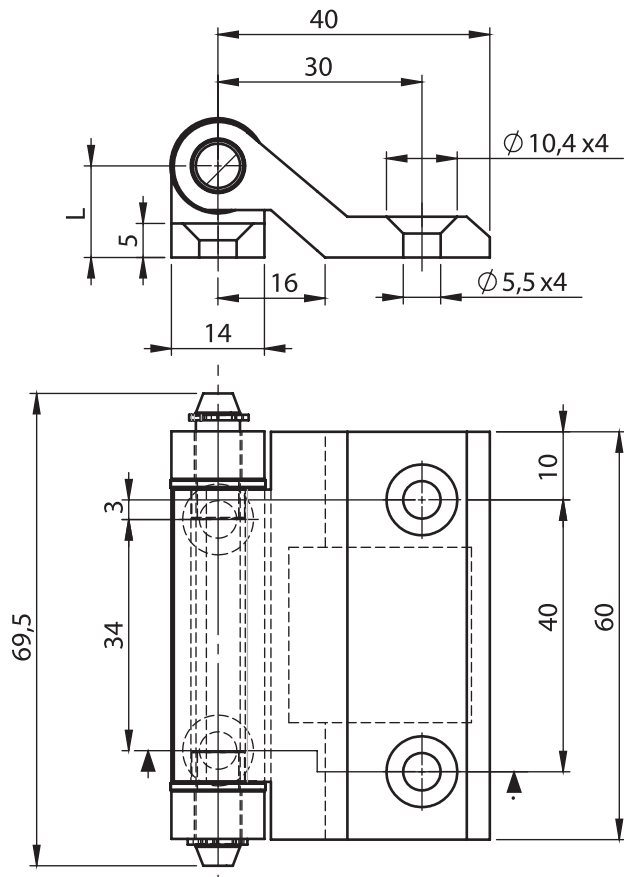
3019 - 180° Hinge

	Black coated	Chrome plated
Item Number	3019 - 210	3019 - 220

LH/RH

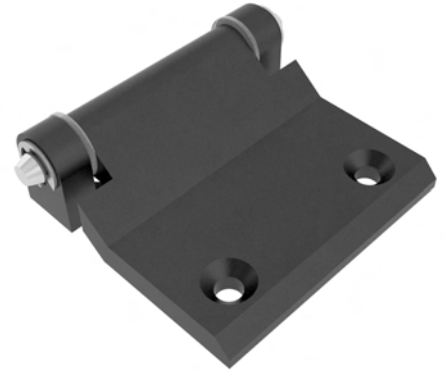


Complete Zinc die



3020 - 170° Hinge

	Black coated	Chrome plated
L=13,5 mm	3020 - 210	3020 - 220
L=23,5 mm	3036 - 210	3036 - 220



HVAC Lock and Accessories

Material

Housing : Zinc die, chrome plated or black coated

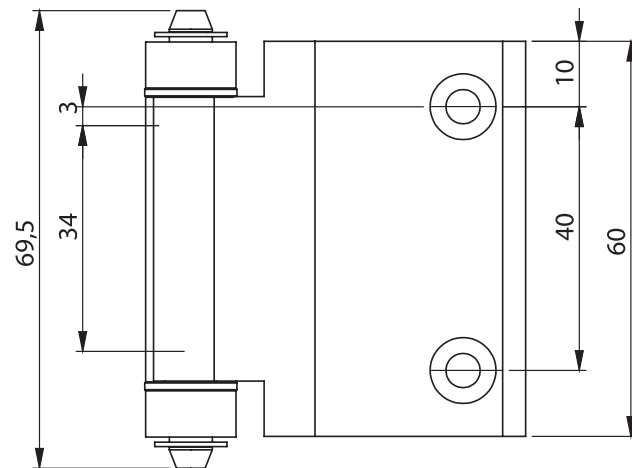
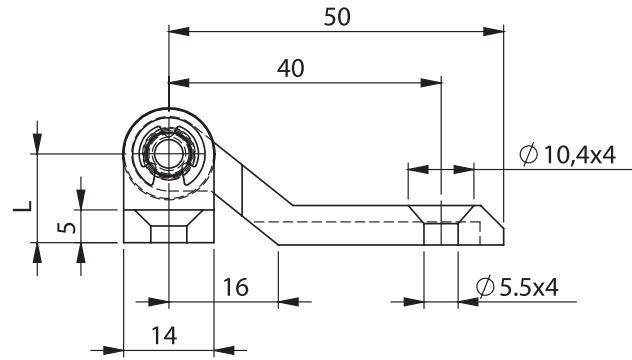
Pin : Steel or Stainless Steel AISI 304

Washers : Polyamide (PA6 GFR30)

LH/RH



Complete Zinc die

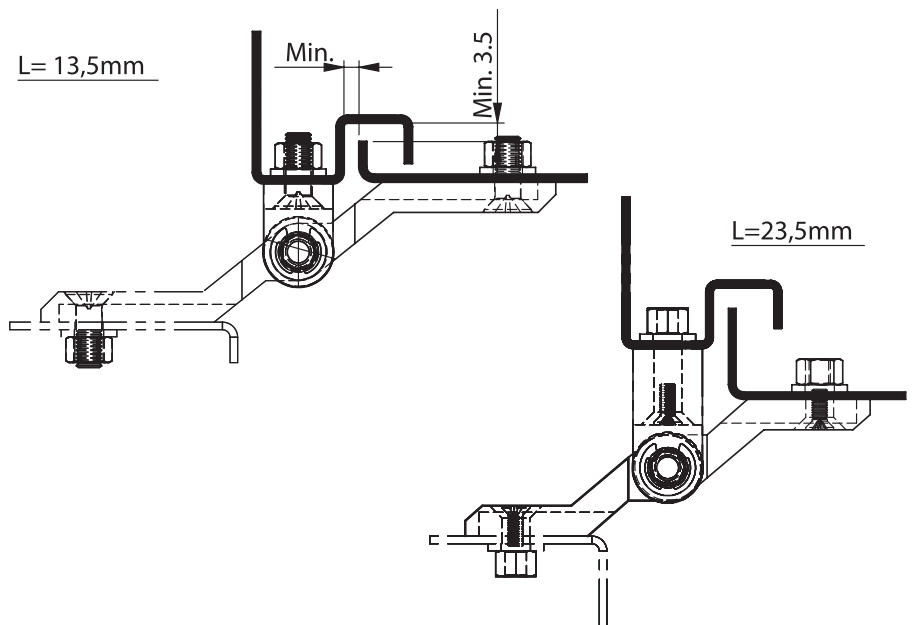


Material

Housing : Zinc die, chrome plated or black coated

Pin : Steel or Stainless Steel AISI 304

Washers : Polyamide (PA6 GFR30)



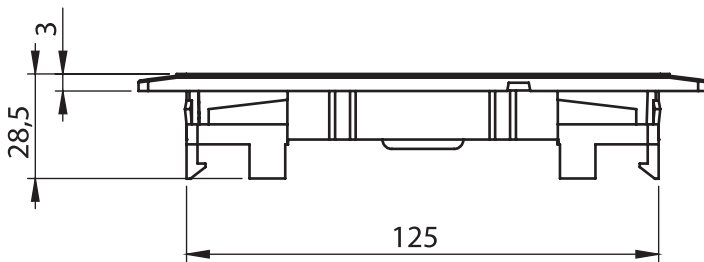
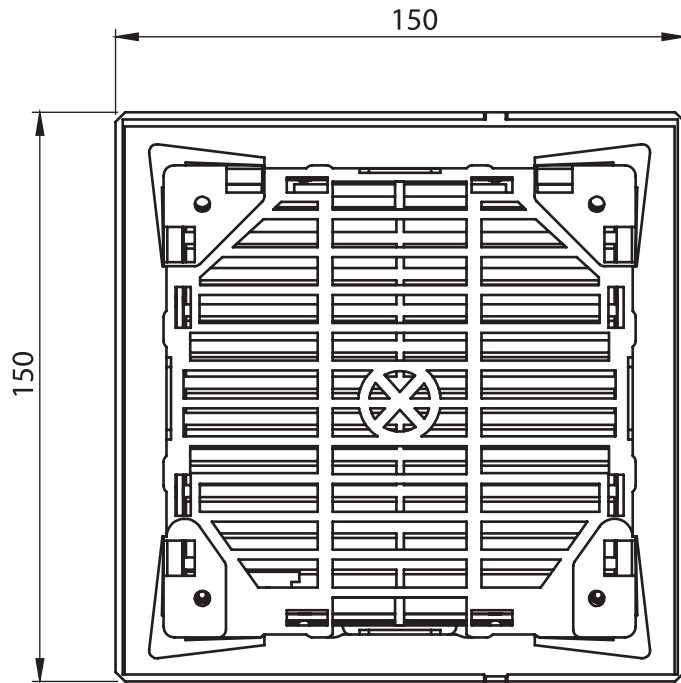
3021 - 180° Hinge

	Black coated	Chrome plated
L=13,5 mm	3021 - 210	3021 - 220
L=23,5 mm	3030 - 210	3030 - 220

LH/RH



Complete Zinc die



7521 - Air Vent

Item Number	7521 - 001
-------------	------------



HVAC Lock and Accessories

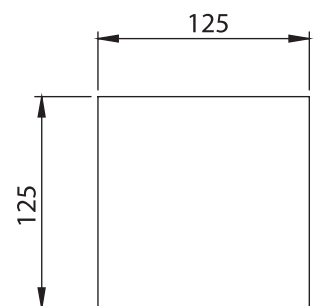
Material

ABS

Options

* Please contact Sales Representative for IP 54 requirement

Cut out



IP 40	Complete Zinc die		RoHS
-------	-------------------	--	------

HVAC Lock and Accessories

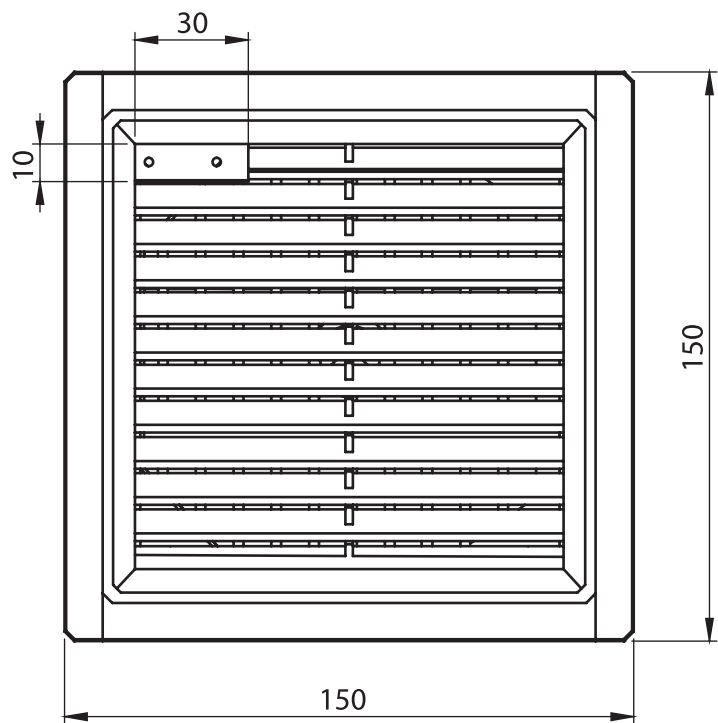
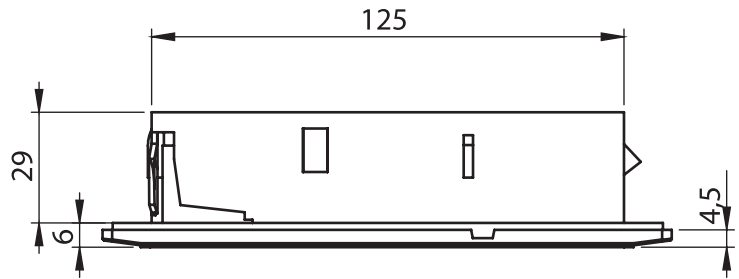


Material

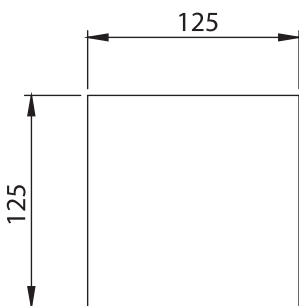
ABS

Options

* Please contact Sales Representative for IP 54 requirement



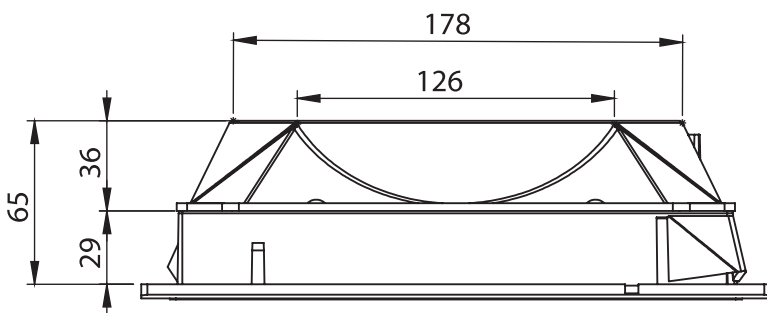
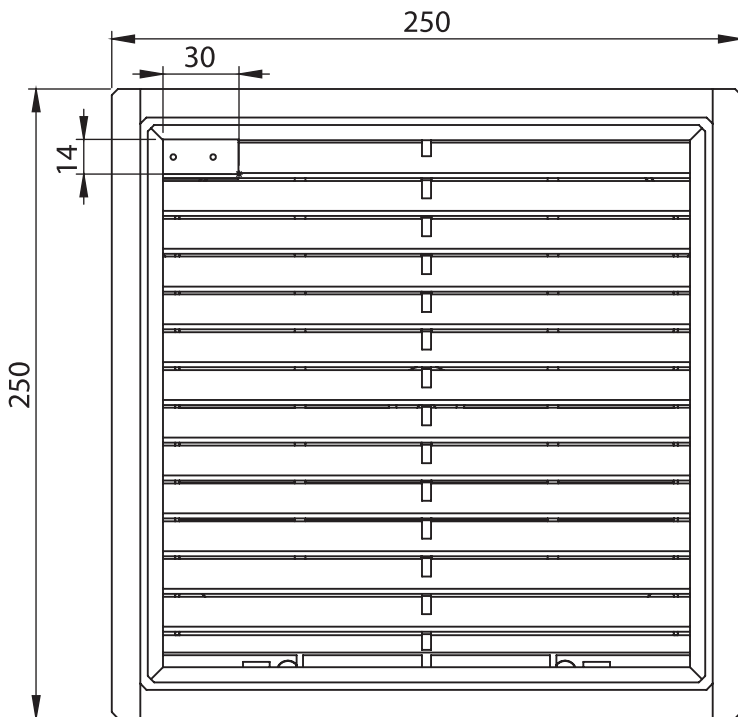
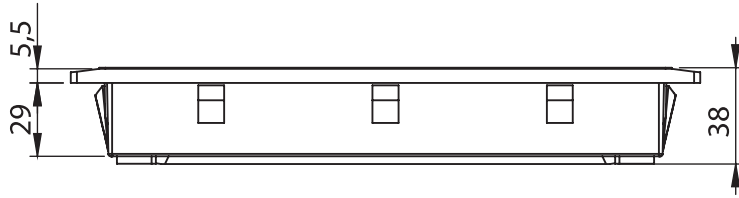
Cut out



7522 - Air Vent

Item Number	7522 - 001
-------------	------------

IP 40	Complete PA		RoHS
-------	-------------	--	------



7523 - Air Vent

	Air Vent	Fan Parts
Item Number	7523 - 001	7523 - 101



HVAC Lock and Accessories

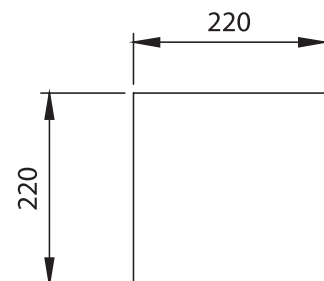
Material

ABS

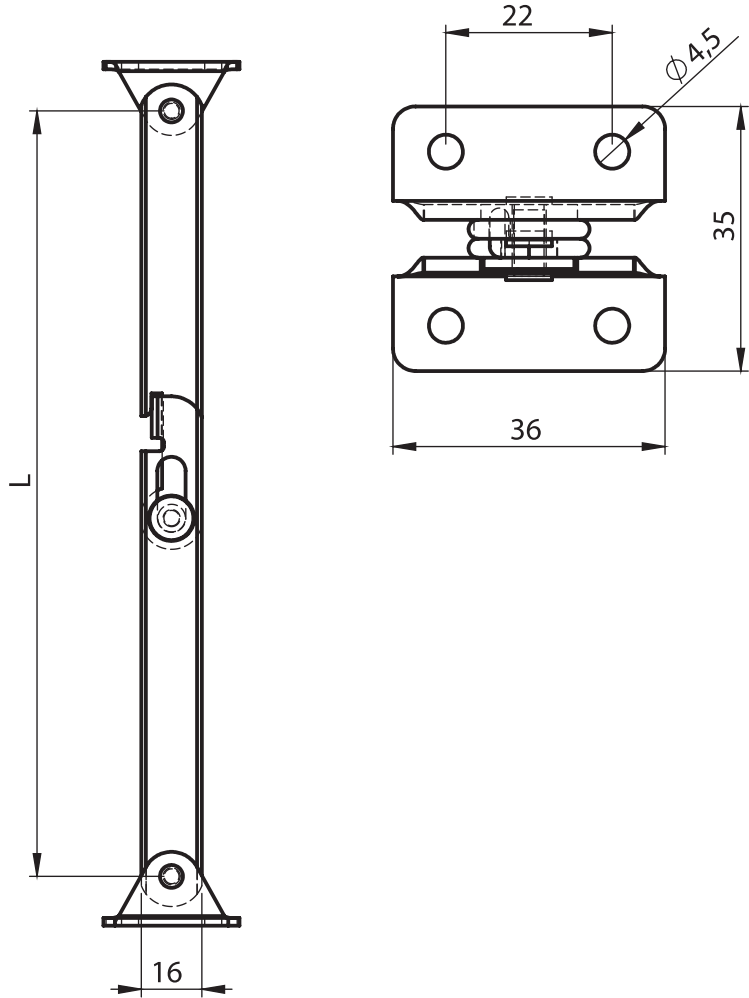
Options

* Please contact Sales Representative for IP 54 requirement

Cut out



IP 40	Complete PA		RoHS
-------	-------------	--	------



Material

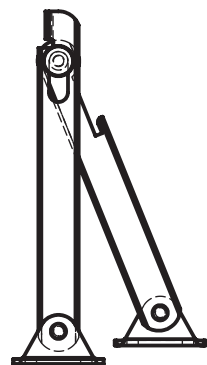
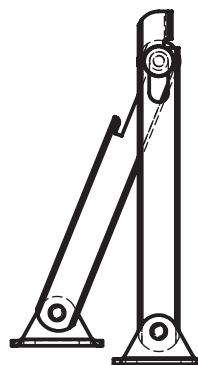
Steel, zinc plated

Options

* Stainless Steel version is also available

LEFT

RIGHT

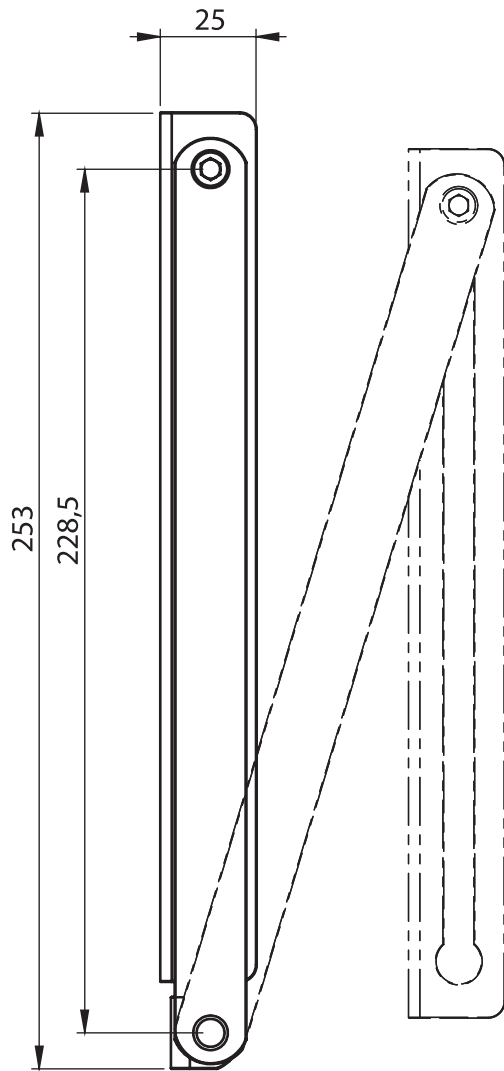


7531 - Cover Stay

Item Number	L1	Right-Left
7531 - 331	292	Right
7531 - 332	292	Left
7534 - 331	202	Right
7534 - 332	202	Left
7532 - 331	135	Right
7532 - 332	135	Left

LH

RH



HVAC Lock and Accessories

Material

Steel, zinc plated

Options

* Stainless Steel version is also available

7533 - Cover Stay

Item Number	7533-330
-------------	----------

LH/RH

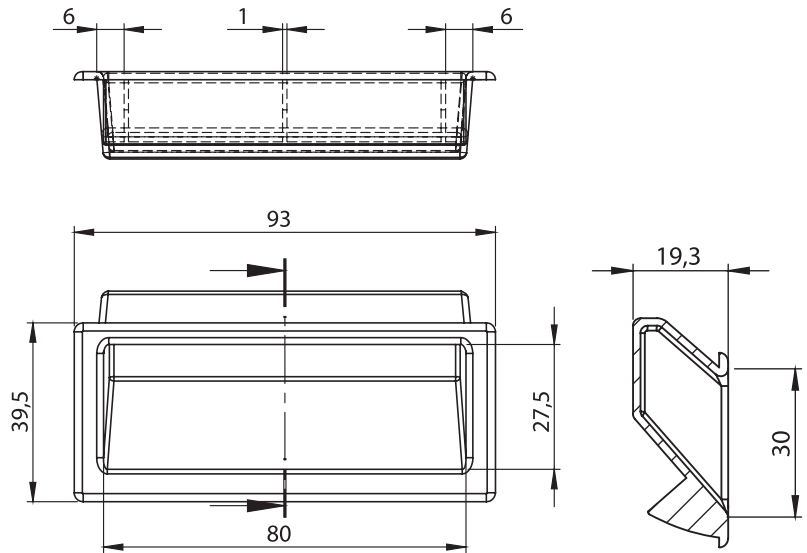
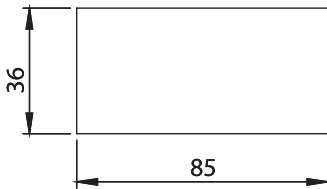
7205
Clip-in Pull Handle



Material

Polyamide (PA6 GFR30), black

Cut out



7205 - Clip-in Pull Handle

Item Number	7205 - 001
-------------	------------

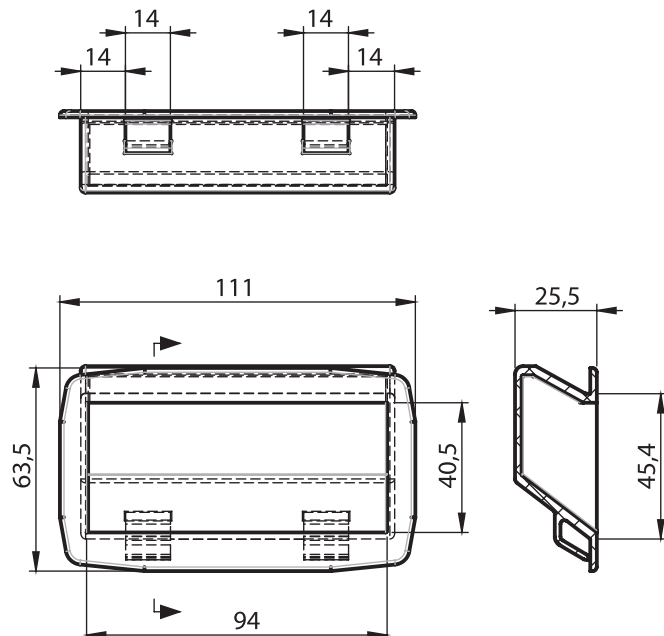
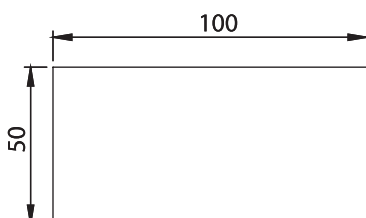
7204
Clip-in Pull Handle



Material

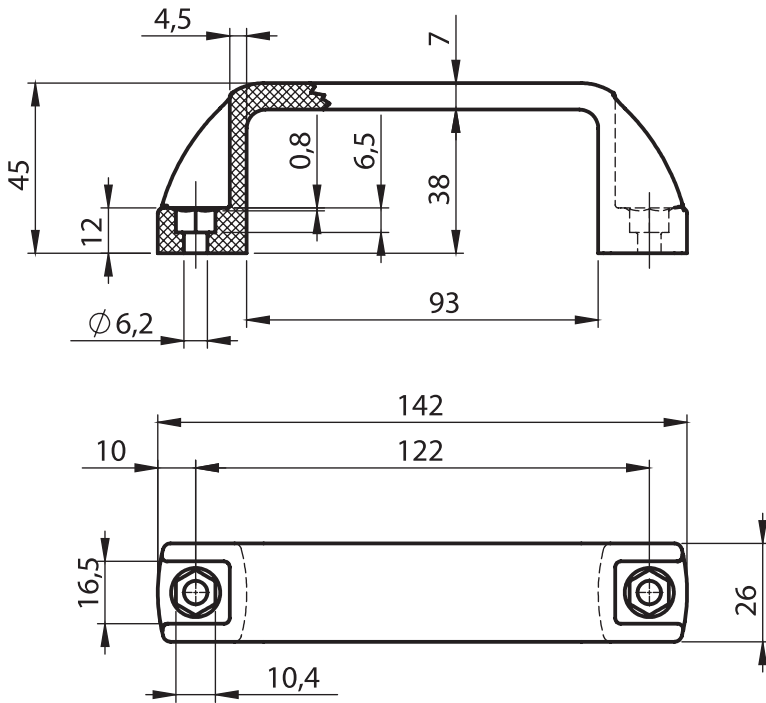
Polyamide (PA6 GFR30), black

Cut out



7204 - Clip-in Pull Handle

	TS= 0,8 - 1,2 mm	TS= 1,2 - 1,6 mm
Item Number	7204 - 001	7204 - 002



4001 - Handle

	Fixing on Top	Fixing on Bottom
Item Number	4001 - 001	4001 - 101

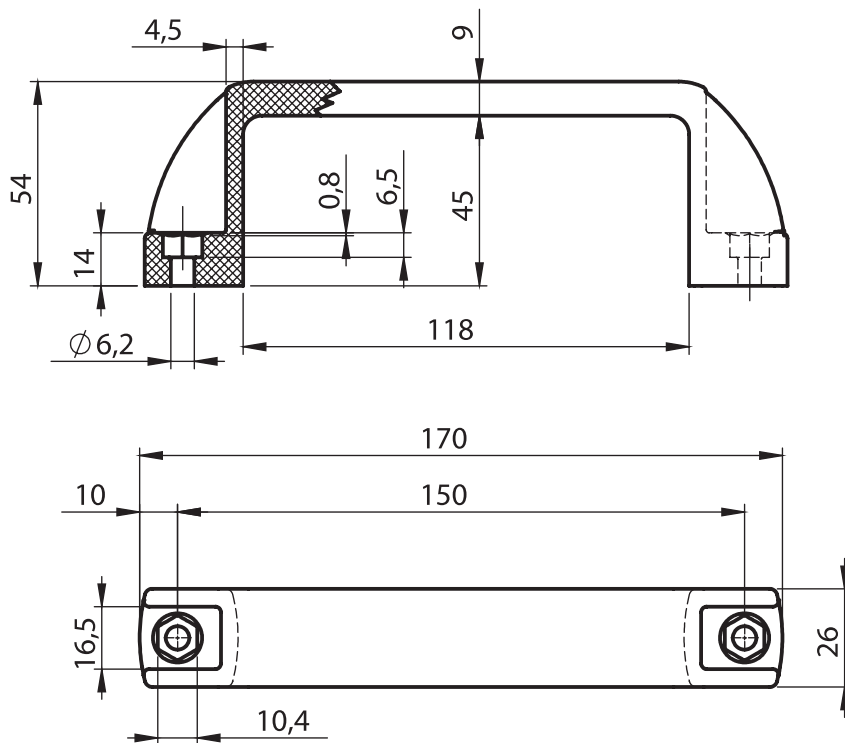
4001 Handle



HVAC Lock and Accessories

Material

Polyamide (PA6 GFR30), black



4002 - Handle

Item Number	4002 - 001

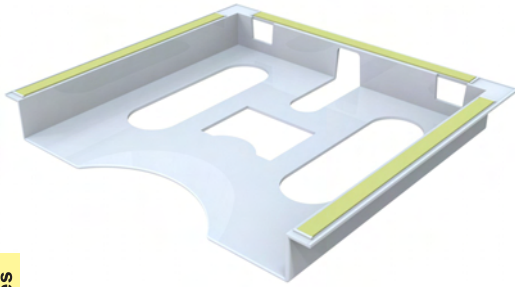
4002 Handle



Material

Polyamide (PA6 GFR30), black

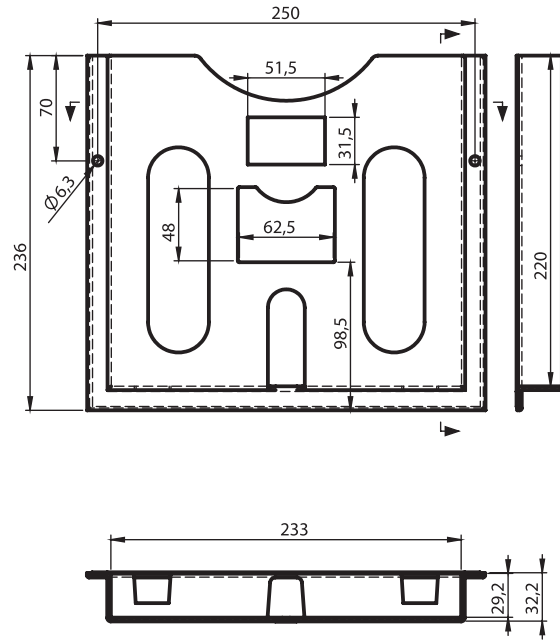
**7250
Project Pocket A4**



Material

Polystyrene (PS)

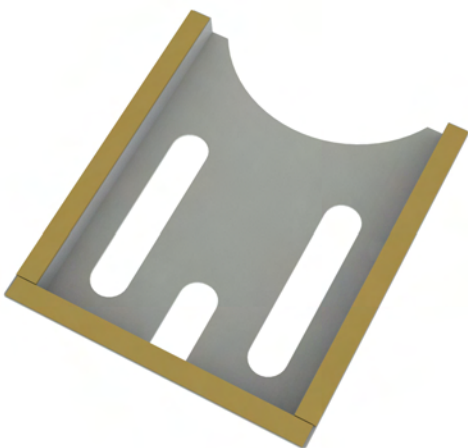
HVAC Lock and Accessories



7250 - Project Pocket A4

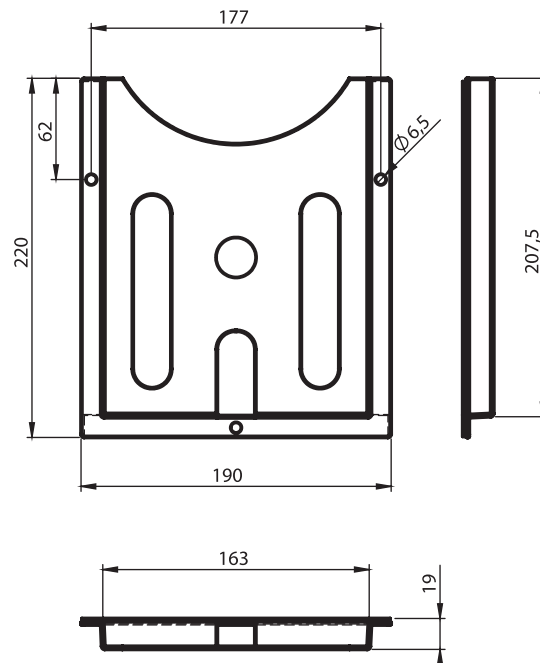
	Black	Ral 7035, Gray
Self adhesive	7250 - 001	7250 - 002
Non adhesive	7250 - 101	7250 - 102

**7251
Project Pocket A5**



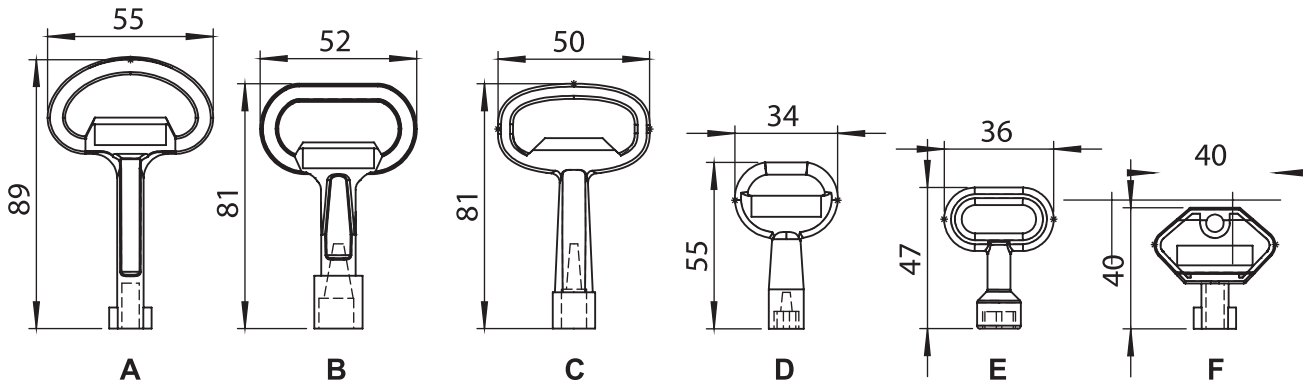
Material

Polystyrene (PS), Ral 7035 Gray



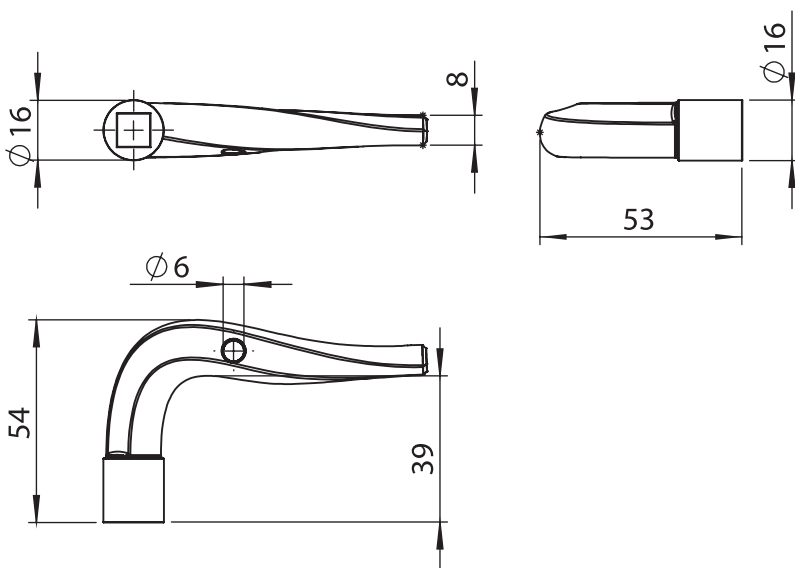
7251 - Project Pocket A5

	Self adhesive	Non adhesive
Item Number	7251 - 001	7251 - 101



	A	B	C	D	E	F
Material	Zinc die black coated	Zinc die black coated	Zinc die black coated	Zinc die black coated	Zinc die black coated	PA, Black
⬠	Square 6 mm	-	-	-	1000 - 518	-
⬡	Triangular 6,5 mm	-	-	-	1000 - 517	-
⊗	Double bit 3 mm	1000 - 512	-	-	-	1000 - 711
⊗	Double bit 5 mm	1000 - 511	-	-	-	1000 - 712
⊗	Eastern Europe	-	1000 - 516	-	-	-
⬡	Triangular 7 mm	-	-	1000 - 519	-	1000 - 719
⬡	Triangular 8 mm	-	-	1000 - 513	-	1000 - 713
⬡	Triangular 9 mm	-	-	1000 - 521	-	1000 - 721
⬠	Square 7 mm	-	-	1000 - 520	-	1000 - 720
⬠	Square 8 mm	-	-	1000 - 514	-	1000 - 714

HVAC Lock and Accessories



Material
Zinc die, black coated

1000 - Keys

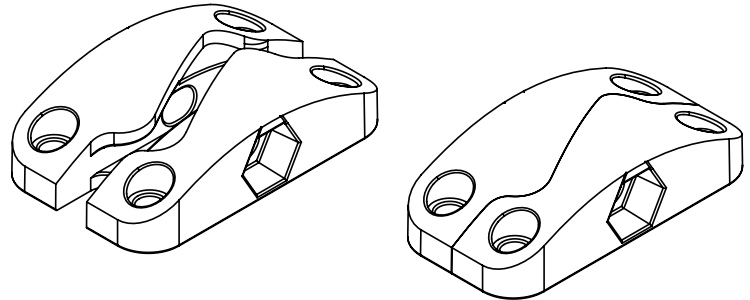
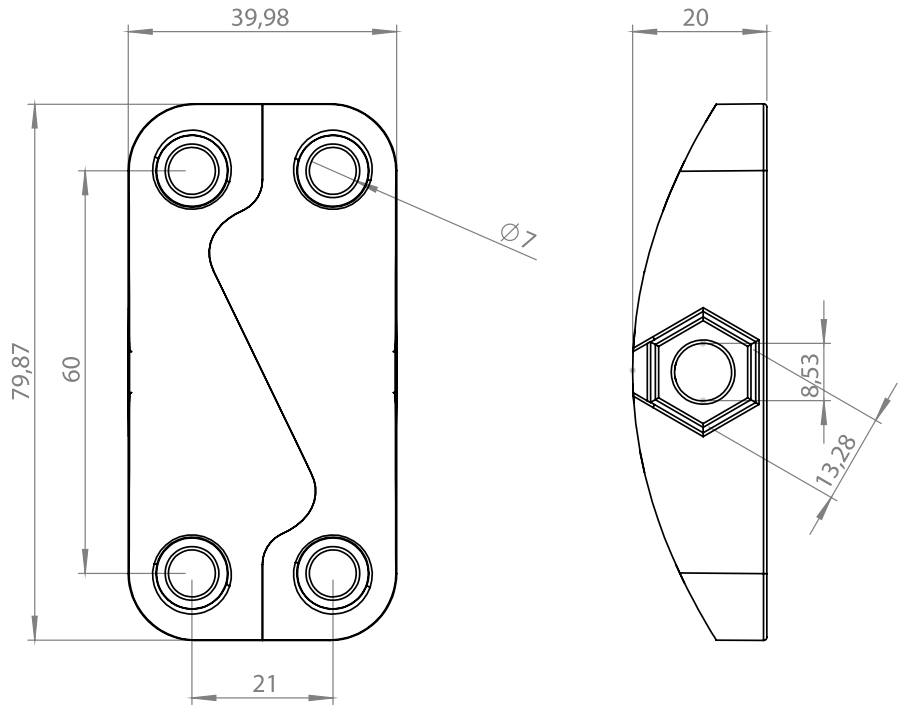
Item Number	1000-540
-------------	----------



Material

Housing : Zamak, black coated or PA

*Screws and nuts are not included.

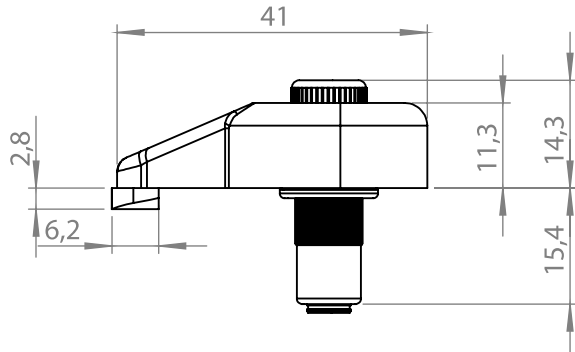


5820 - Cell Joiner

	Zinc Die, Raw	Zinc Die, Black Coated	PA, Black
Item Number	5820 - 200	5820 - 210	5820 - 100

RoHS

LH/RH



HVAC Locks and Accessories

Material

Housing : Zamak, raw or PA

*Screws and nuts are included.

7002 - Bridge Clamp

	Zinc Die, Raw	PA, Black
Item Number	7002-006	7002-005

RoHS LH/RH

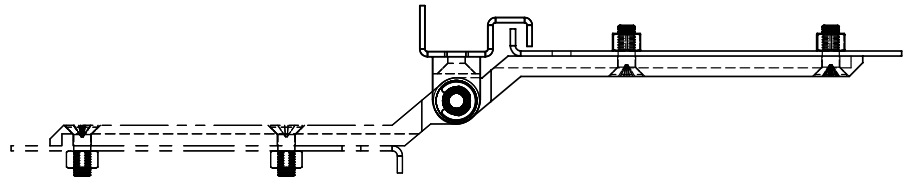
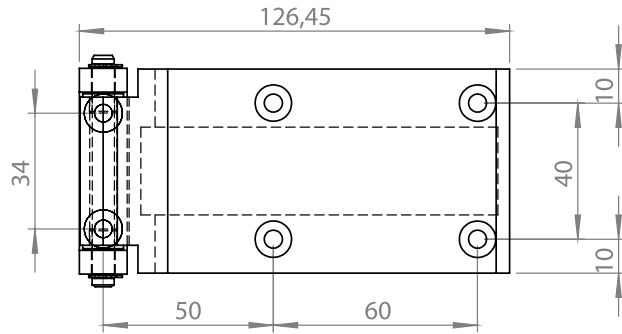
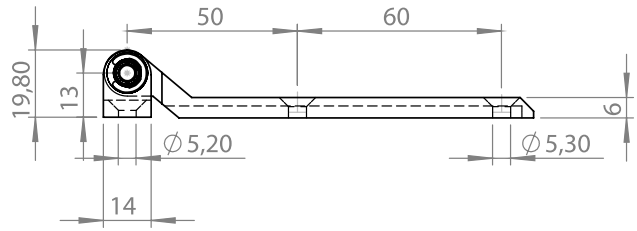


HVAC Locks and Accessories

Material

Housing : Zamak, black coated or chrome plated

Pin : Steel, zinc plated



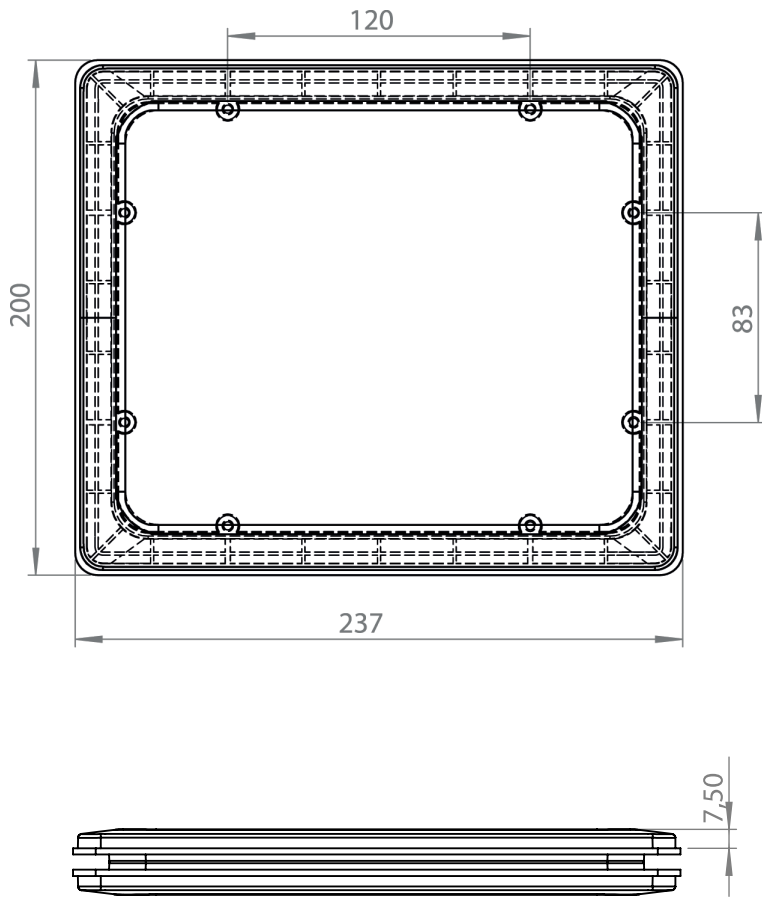
3117 - 180° Hinge

	Zinc Die, Black Coated	Zinc Die, Chrome Plated
Item Number	3117-210	3117-220

RoHS

LH/RH





HVAC Locks and Accessories

Material

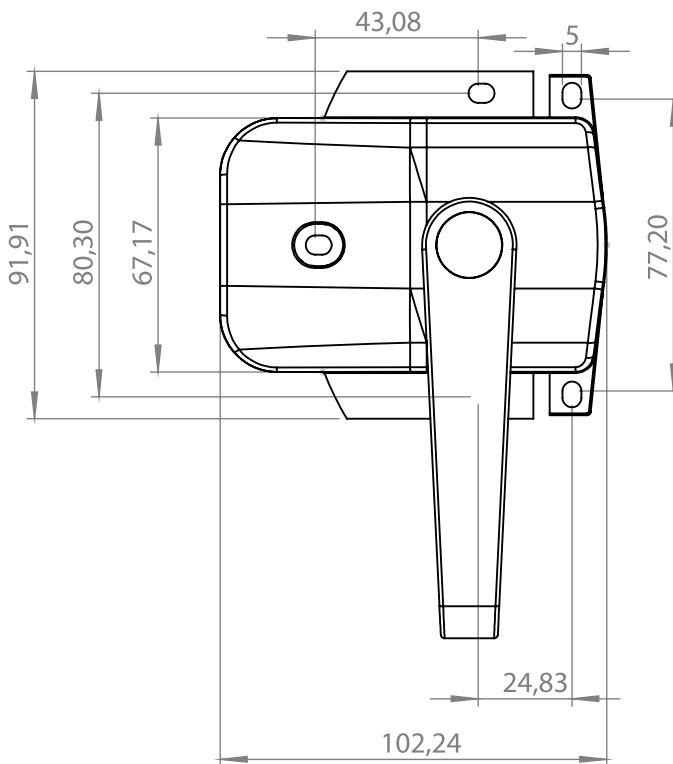
Polycarbonate , PC, transparent

5530 - Viewing Window

Door Thickness	Item Number
30	5530-300
40	5530-400
50	5530-500
60	5530-600

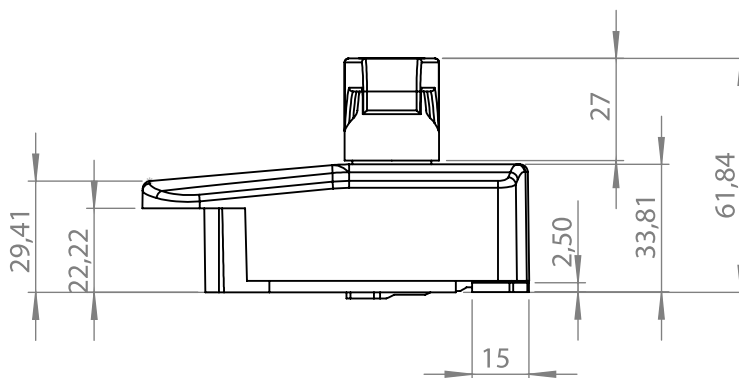


LH/RH



Material

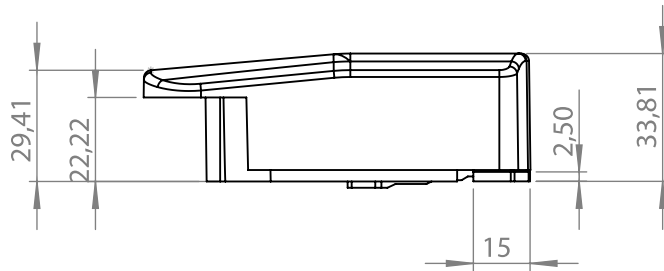
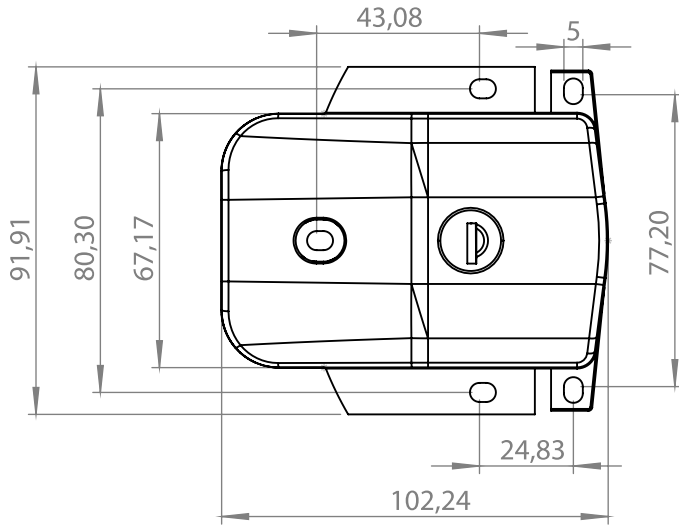
- Housing** : Zamak, black coated
- Catcher** : Zamak, black coated
- L handle** : Zamak, black coated
- Cam** : Zamak, black coated



5225 - Surface Mounted Door Lock with L Handle

	L=0	L=10	L=12
Item Number	5225-001	5225-011	5225-021

IP 65 Complete Metal LH/RH



HVAC Locks and Accessories

Material

- Housing** : Zamak,black coated
- Catcher** : Zamak,black coated
- Cam** : Zamak,black coated

5223 - Surface Mounted Door Lock with Cylinder

	L=0	L=10	L=12
Keyed 3333	5223-301	5223-311	5223-321
Keyed Same	5223-701	5223-711	5223-721
Keyed Differ	5223-901	5223-911	5223-921

IP 65 Complete Metal  LH/RH