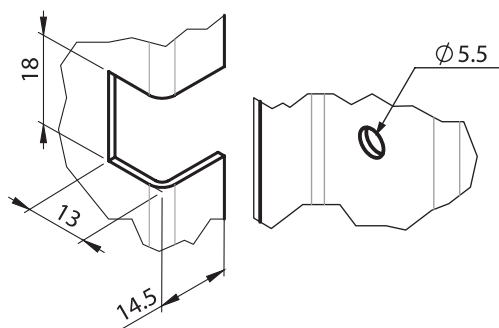


Material

Housing : PA
Pin : PA or steel, zinc plated

Cut Out

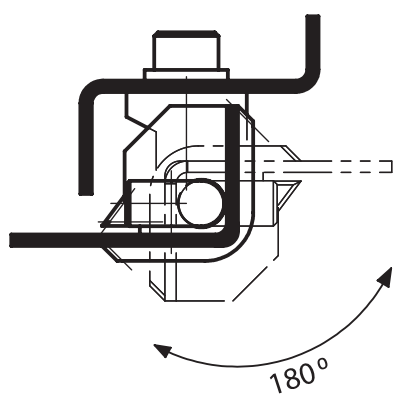
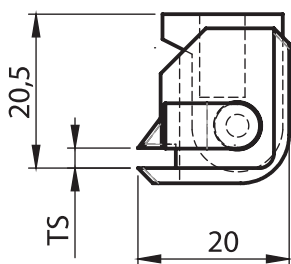
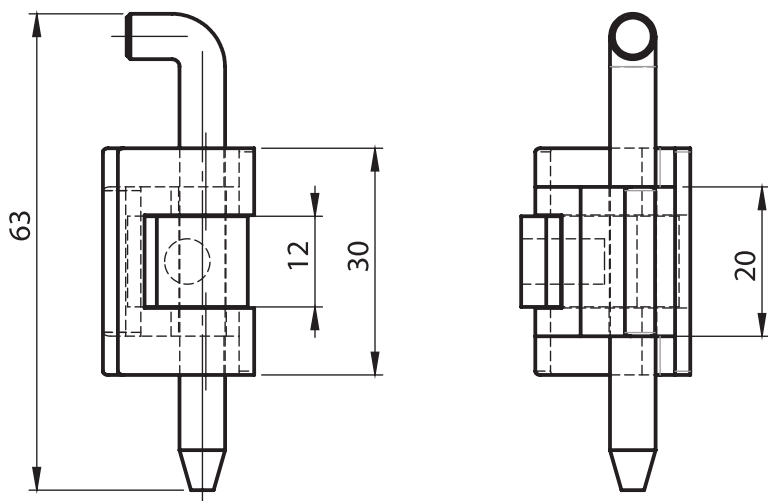


3003 - 180° Hinge

TS	With Plastic Pin	With Steel Pin
1mm - 1,25 mm	3003 - 100	3003 - 105
1,5mm - 2 mm	3004 - 100	3004 - 105

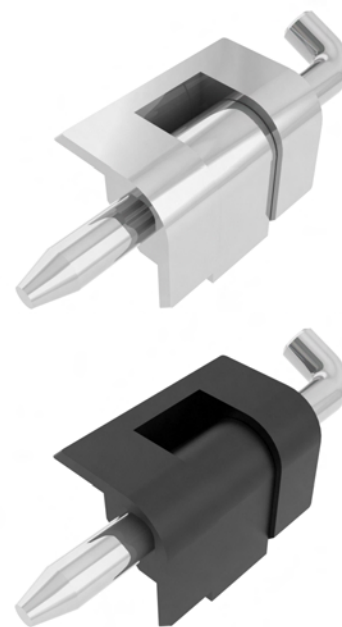


LH/RH



3006 - 180° Hinge

TS	Black Coated	Chrome Plated
1mm - 1,25 mm	3037 - 210	3037 - 220
1,5mm - 2 mm	3006 - 210	3006 - 220



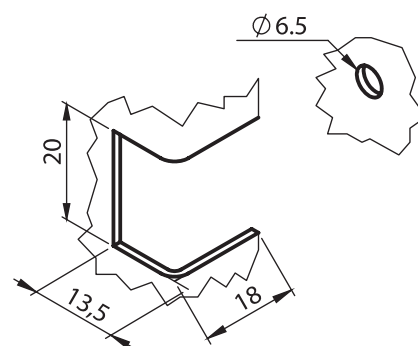
Corner Hinges

Material

Housing : Zinc die, chrome plated or black coated

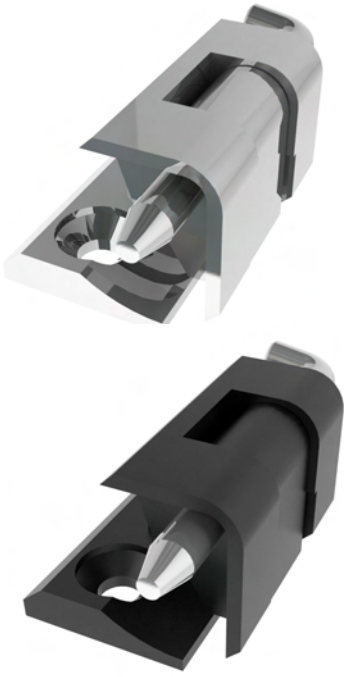
Pin : Steel, zinc plated

Cut Out



LH/RH

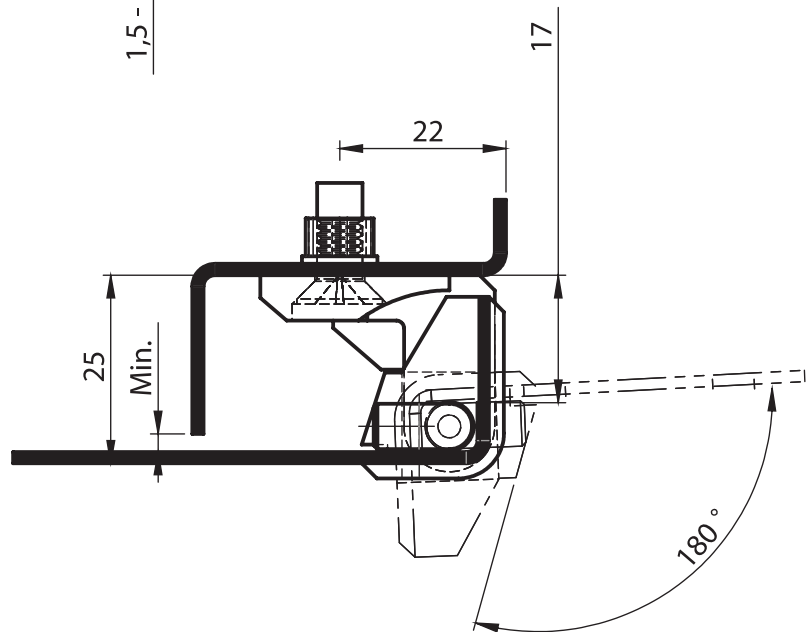
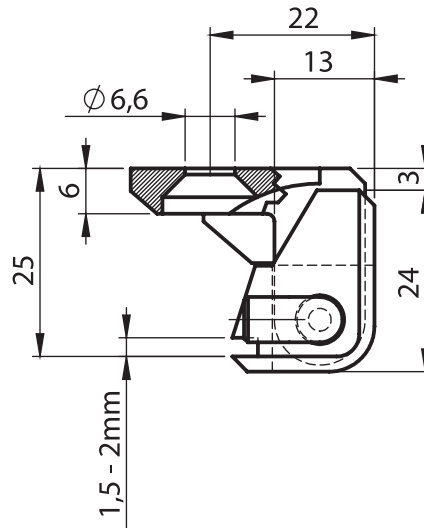
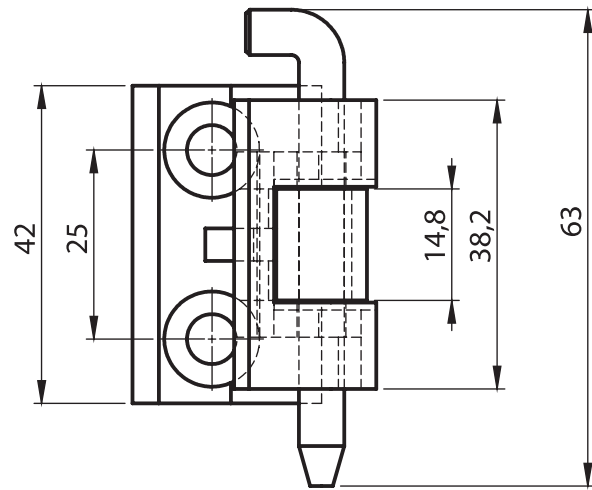
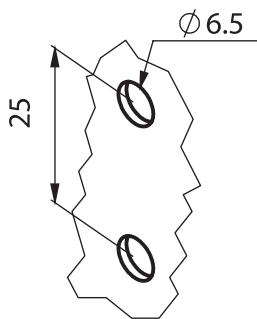




Material

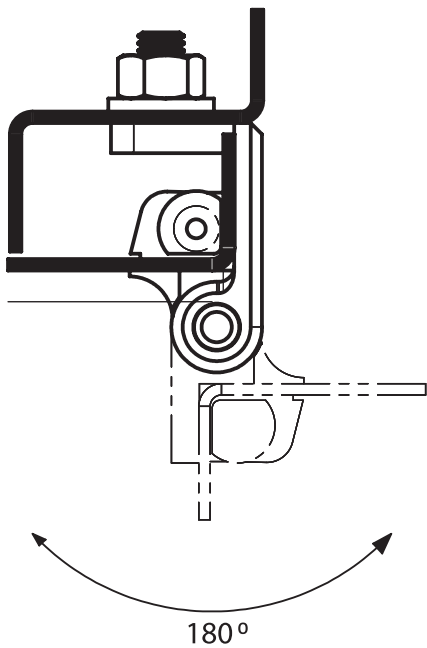
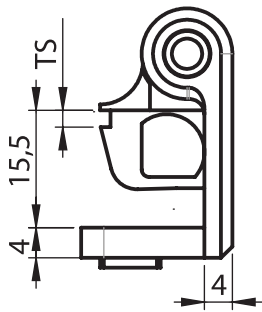
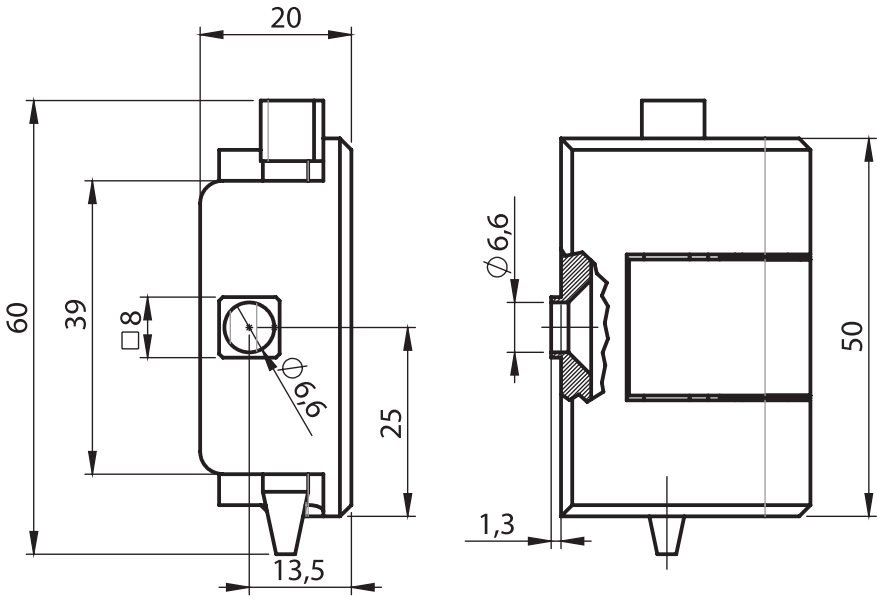
Housing : Zinc die, chrome plated or black coated
Pin : Steel, zinc plated

Cut Out



3005 - 180° Hinge

TS	Black Coated	Chrome Plated
Item Number	3005 - 210	3005 - 220



3002 - 180° Hinge

TS	Black Coated	Chrome Plated
Item Number	3002 - 210	3002 - 220



Corner Hinges

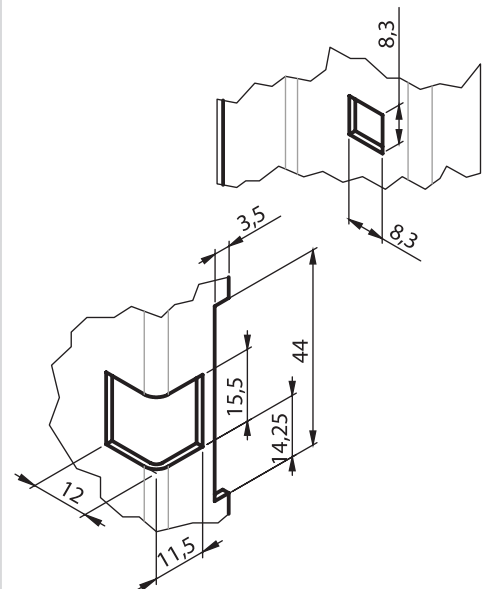
Material

Housing : Zinc die, chrome plated or black coated

Pin : Steel and PA

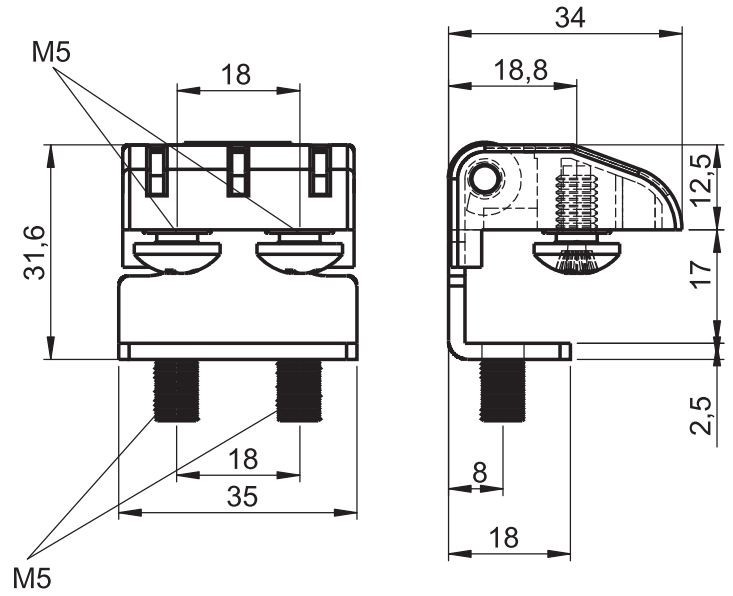
Washers : PA

Cut Out



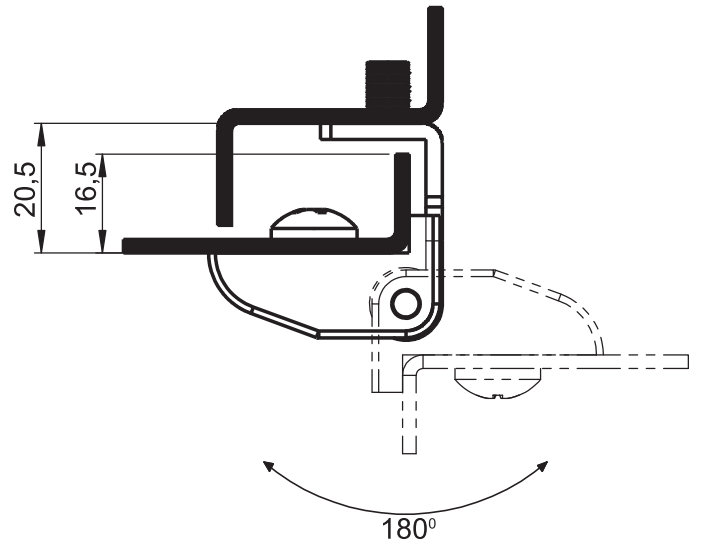
LH/RH





Material

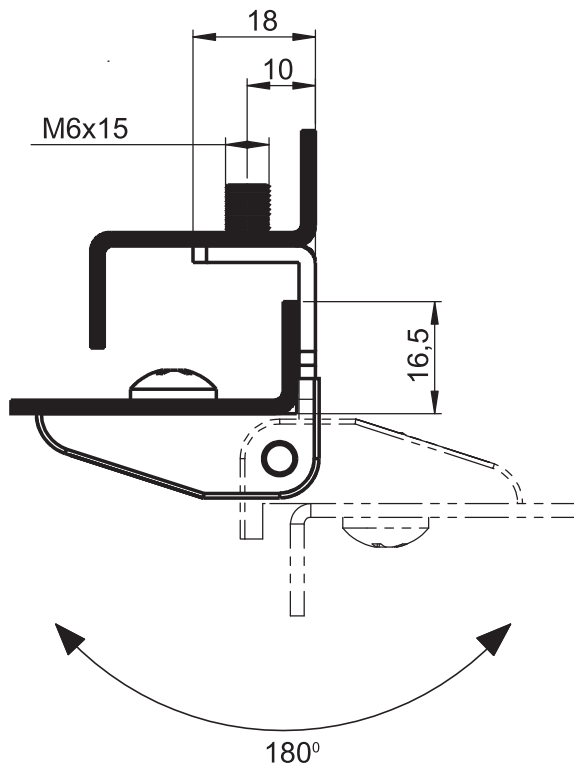
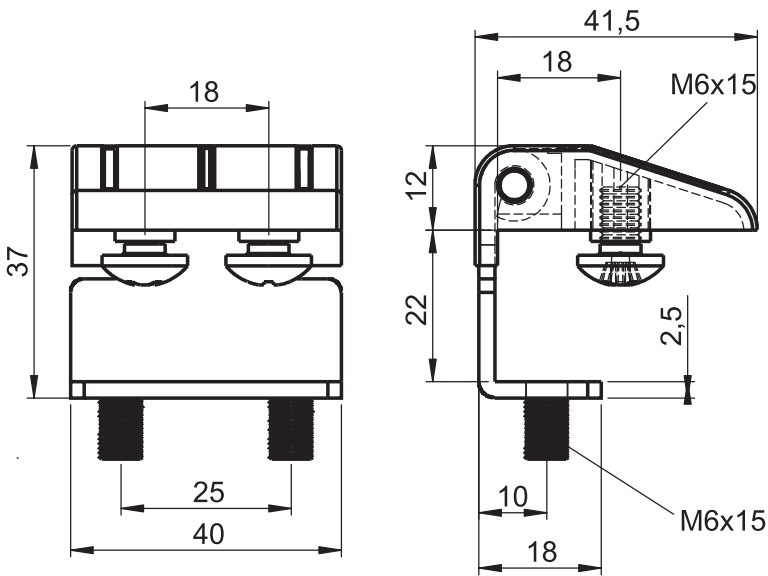
- Housing** : Zinc die and steel
Black coated or chrome plated
- Pin** : Steel, zinc plated



3039 - 180° Hinge

	Black Coated	Chrome Plated
With Holes	3039 - 210	3039 - 220
With Screws	3039 - 211	3039 - 221





Corner Hinges

Material

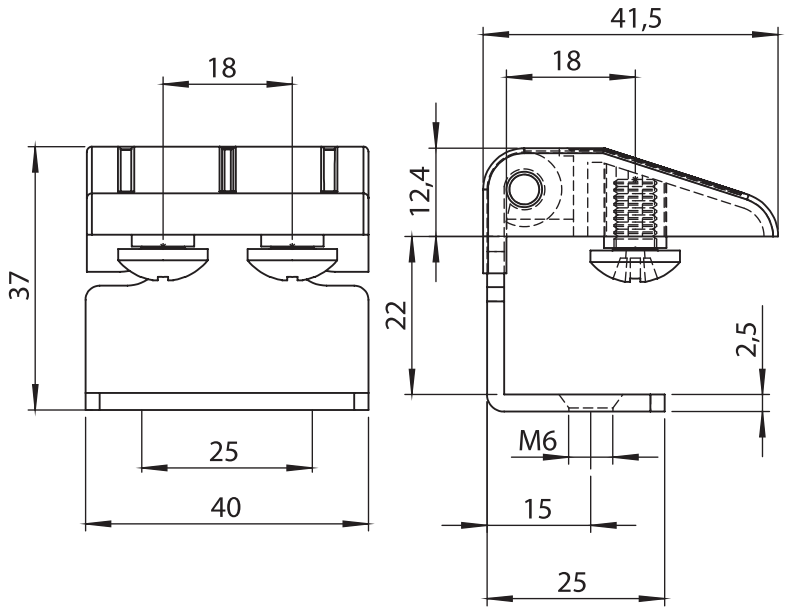
Housing : Zinc die and steel
Black coated or chrome plated
Pin : Steel, zinc plated

3038 - 180° Hinge

	Black Coated	Chrome Plated
With Holes	3038 - 210	3038 - 220
With Screws	3038 - 211	3038 - 221

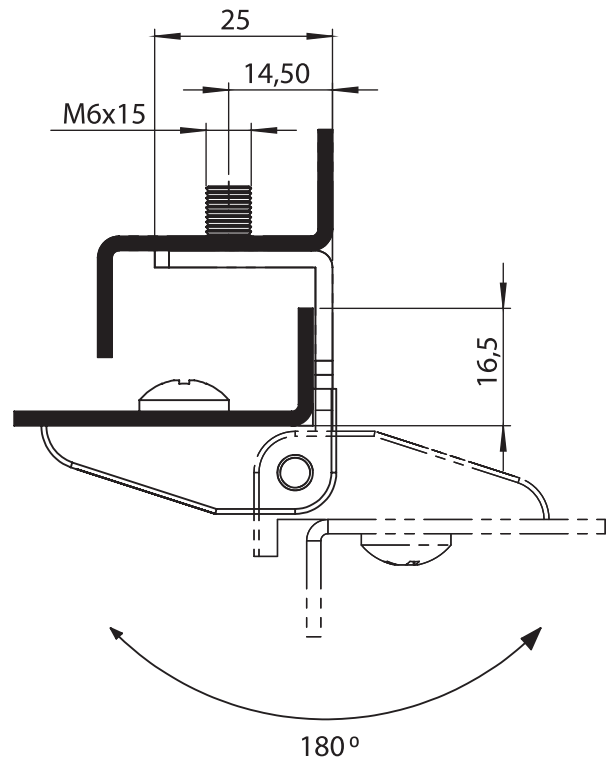
LH/RH





Material

- Housing** : Zinc die and steel
Black coated or chrome plated
- Pin** : Steel, zinc plated



3041 - 180° Hinge

	Black Coated	Chrome Plated
With Holes	3041 - 210	3041 - 220
With Screws	3041 - 211	3041 - 221



LH/RH