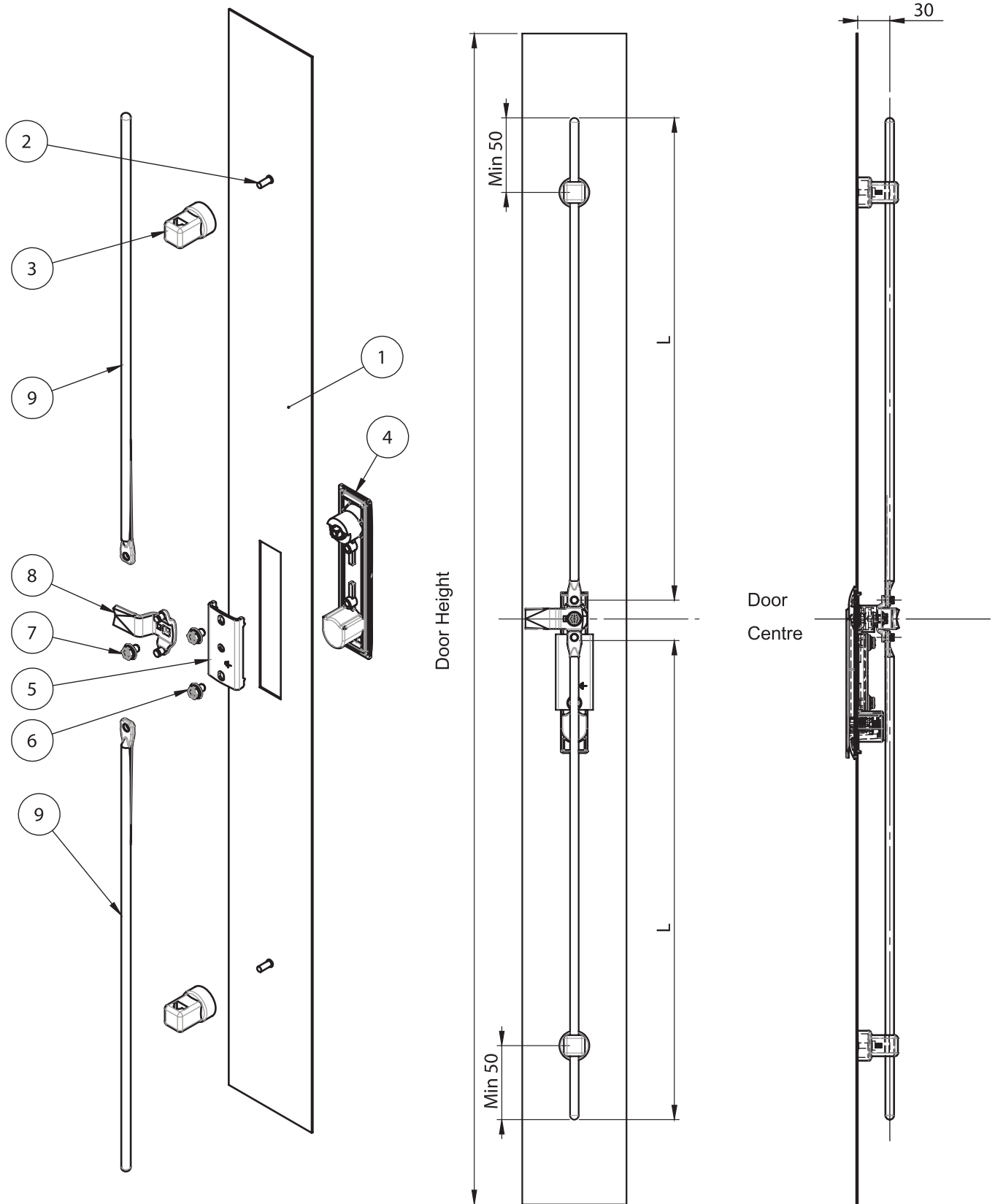
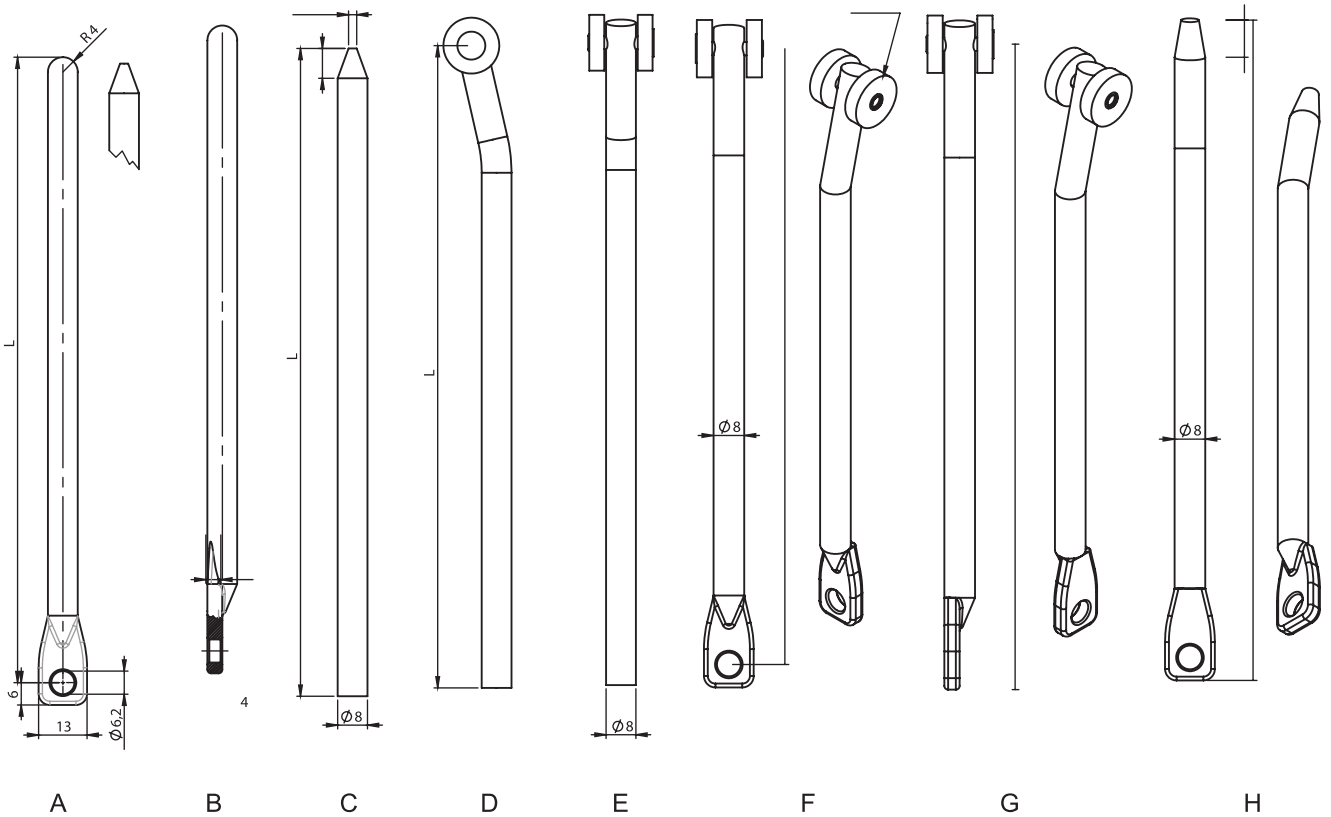


3 Point Locking System

Round Rods



- 1. Door
- 2. Screw
- 3. Rod Guide
- 4. Swinghandle
- 5. Swinghandle Assembly Part
- 6. Screw
- 7. Screw
- 8. 3 Point Locking System Cam
- 9. Round Rod



Round Rods

Material

Rods : Steel, zinc plated

Roller : Polyamide, black

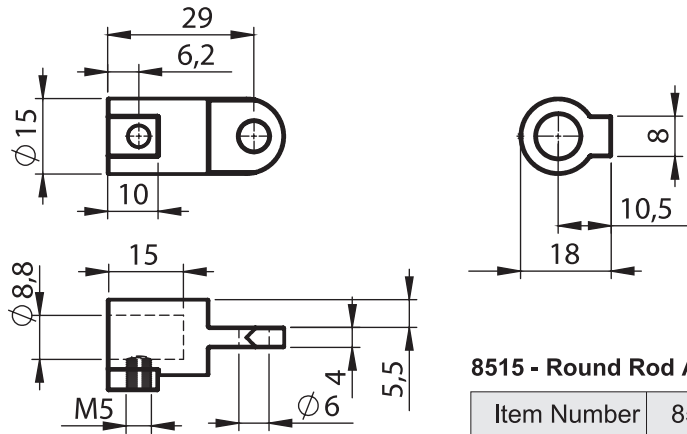
8400 - Round Rods

A	Round rod with eye	8410-L (mm)
B	Round rod with eye and chamfered end	8420-L (mm)
C	Round rod with chamfered end	8430-L (mm)
D	Round rod with roller (bended)	8450-L (mm)
E	Round rod with roller (straight)	8460-L (mm)
F	Round rod with eye and roller	8470-L (mm)
G	Round rod with eye and roller	8480-L (mm)
H	Round rod with eye and chamfered end (bended)	8490-L (mm)

8515
Round Rod Adapter



Material : Zinc-die, zinc plated



8515 - Round Rod Adapter

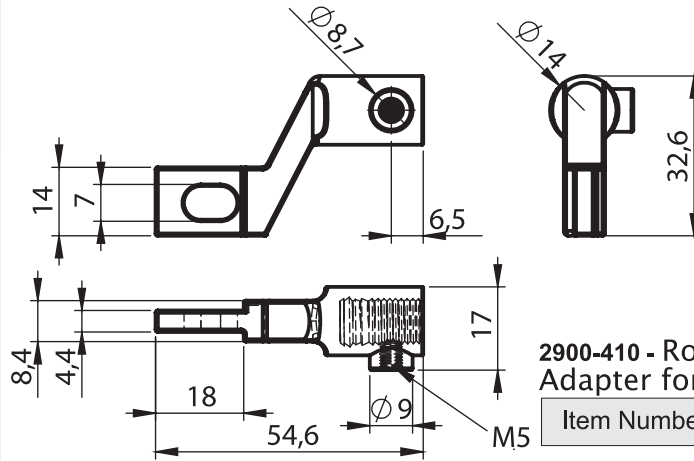
Item Number	8515-001
-------------	----------

Adapters

2900-410 Mekanizma için
Round Rod Adapter



Material : Zinc-die, zinc plated



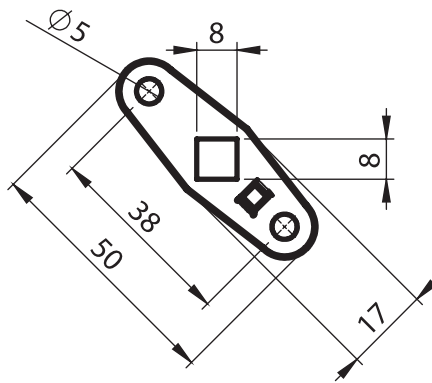
2900-410 - Round Rod Adapter for Rod Latch

Item Number	2900-410
-------------	----------

2900-401
Round Rod Adapter



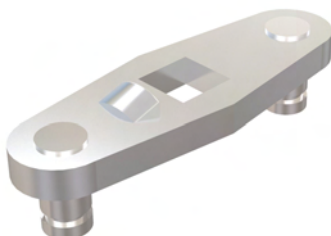
Material : Zinc-die, zinc plated



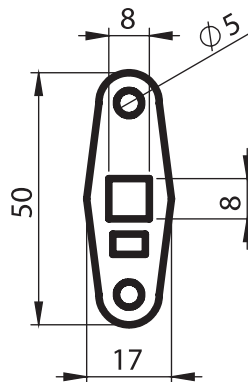
2900-401 - Round Rod Adapter

Item Number	2900-401
-------------	----------

2900-402
Round Rod Adapter

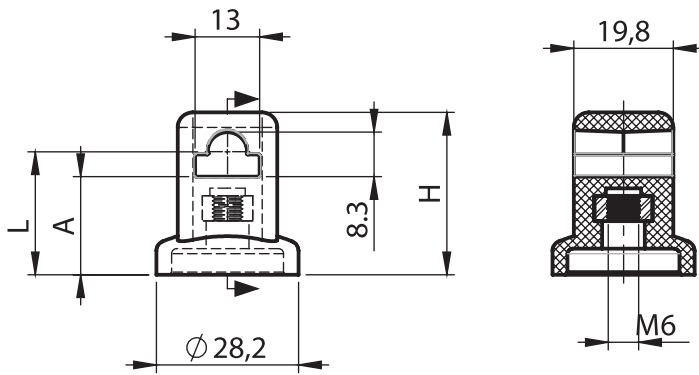


Material : Zinc-die, zinc plated



2900-402 - Round Rod Adapter

Item Number	2900-402
-------------	----------



8511 - Round Rod Guide

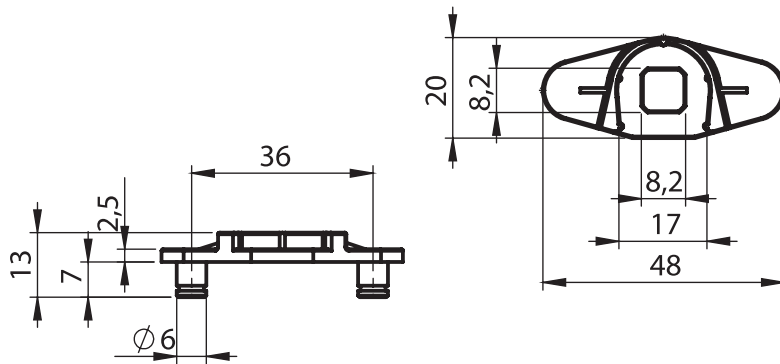
A (mm)	L(mm)	H(mm)	Item Number
20	24	32	8511-001
24	28	36	8511-003
26	30	38	8511-002

8511
Round Rod Guide



Material : Polyamide, black

Adapters



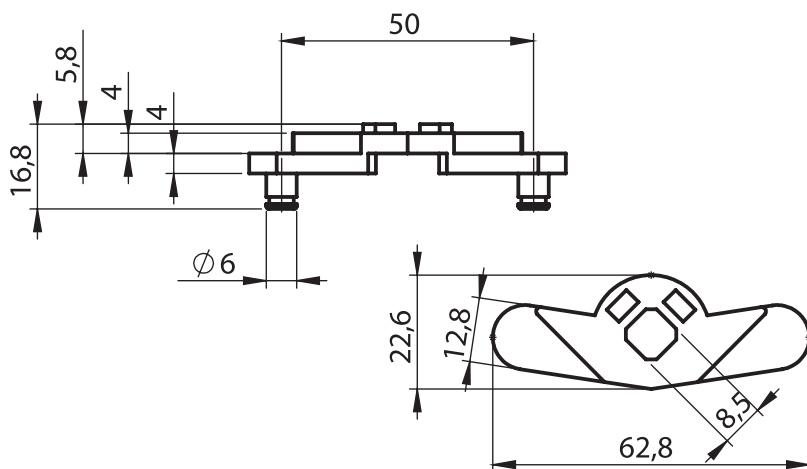
2900-405 - Cam Adapter

Item Number	2900-405
-------------	----------

2900-405
Cam Adapter



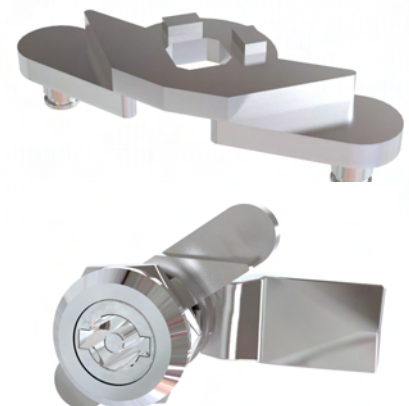
Material : Zinc-die, zinc plated



2900-406 - Cam Adapter

Item Number	2900-406
-------------	----------

2900-406
Cam Adapter



Material : Zinc-die, zinc plated

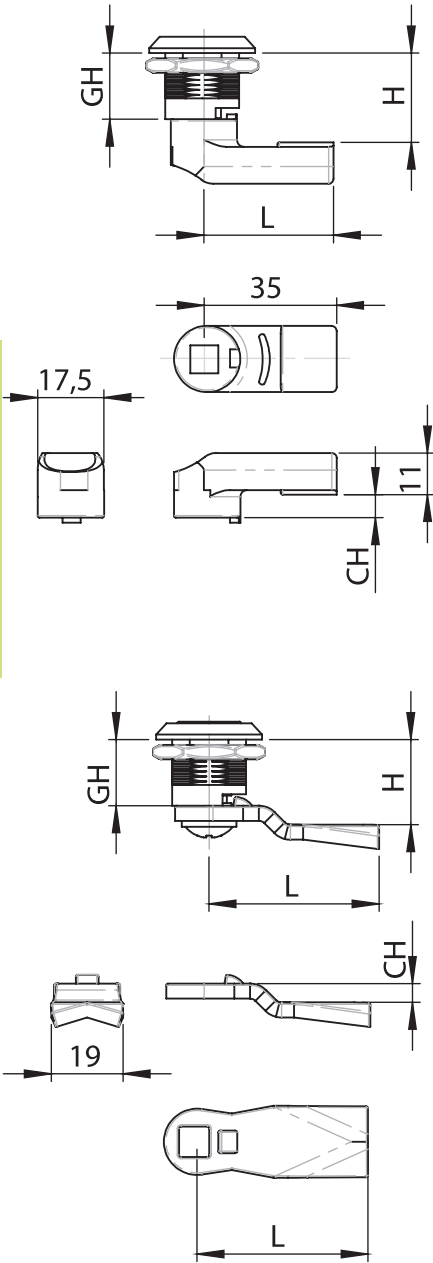


Table 1	Item Number	XXX	CH (mm)	L (mm)	GH=13,5 H(mm)
	1900 - 604	604	-6	24	7,5
	1900 - 602	602	0	24	13,5
	1900 - 605S	605S	1,5	30	15
	1900 - 603	603	6	24	19,5

Table 2	Ürün kodu	XXX	CH (mm)	L (mm)	GH=13,5 H(mm)
	1900 - 704	704	-6	24	7,5
	1900 - 702	702	0	24	13,5
	1900 - 705S	705S	1,5	30	15
	1900 - 703	703	6	24	19,5

Table 3	Item Number	XXX	CH (mm)	L (mm)	GH=15 H(mm)	GH=18 H(mm)	GH=20 H(mm)	GH=30 H(mm)	GH=40 H(mm)	GH=50 H(mm)	GH=60 H(mm)
	1900 - 101	101	0	35	15	18	20	30	40	50	60
	1900 - 102	102	4	35	19	22	24	34	44	54	64
	1900 - 104	104	4	40	19	22	24	34	44	54	64
	1900 - 103	103	6	35	21	24	26	36	46	56	66
	1900 - 105	105	6	40	21	24	26	36	46	56	66

Table 4	Item Number	XXX	CH (mm)	L (mm)	GH=15 H(mm)	GH=18 H(mm)	GH=20 H(mm)	GH=30 H(mm)	GH=40 H(mm)	GH=50 H(mm)	GH=60 H(mm)
	1900 - 316	316	-2	35	13	16	18	28	38	48	58
	1900 - 318	318	0	35	15	18	20	30	40	50	60
	1900 - 320	320	2	35	17	20	22	32	42	52	62
	1900 - 322	322	4	35	19	22	24	34	44	54	64
	1900 - 324	324	6	35	21	24	26	36	46	56	66
	1900 - 325	325	7	35	22	25	27	37	47	57	67
	1900 - 326	326	8	35	23	26	28	38	48	58	68
	1900 - 328	328	10	35	25	28	30	40	50	60	70
	1900 - 330	330	12	35	27	30	32	42	52	62	72

Table 5	Item Number	XXX	CH (mm)	L (mm)	GH=15 H(mm)	GH=18 H(mm)	GH=20 H(mm)	GH=30 H(mm)	GH=40 H(mm)	GH=50 H(mm)	GH=60 H(mm)
	1900 - 204	204	-14	45	1	4	6	16	26	36	46
	1900 - 206	206	-12	45	3	6	8	18	28	38	48
	1900 - 210	210	-8	45	7	10	12	22	32	42	52
	1900 - 212	212	-6	45	9	12	14	24	34	44	54
	1900 - 214	214	-4	45	11	14	16	26	36	46	56
	1900 - 218	218	0	45	15	18	20	30	40	50	60
	1900 - 220	220	2	45	17	20	22	32	42	52	62
	1900 - 222	222	4	45	19	22	24	34	44	54	64
	1900 - 224	224	6	45	21	24	26	36	46	56	66
	1900 - 225	225	7	45	22	25	27	37	47	57	67
	1900 - 226	226	8	45	23	26	28	38	48	58	68
	1900 - 227	227	9	45	24	27	29	39	49	59	69
	1900 - 228	228	10	45	25	28	30	40	50	60	70
	1900 - 230	230	12	45	27	30	32	42	52	62	72
	1900 - 234	234	16	45	31	34	36	46	56	66	76
	1900 - 235	235	17	45	32	35	37	47	57	67	77
	1900 - 236	236	18	45	33	36	38	48	58	68	78
	1900 - 242	242	24	45	39	42	44	54	64	74	84
1900 - 244	244	26	45	41	44	46	56	66	76	86	

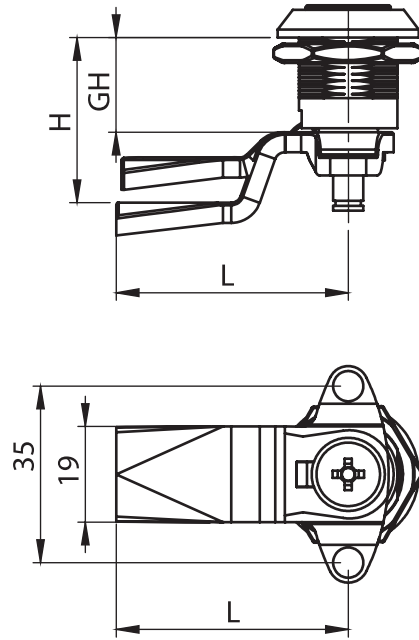
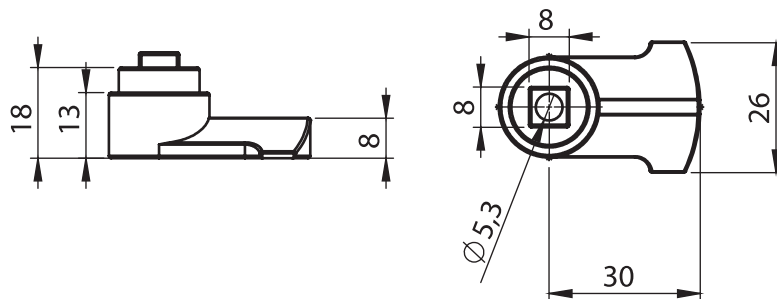


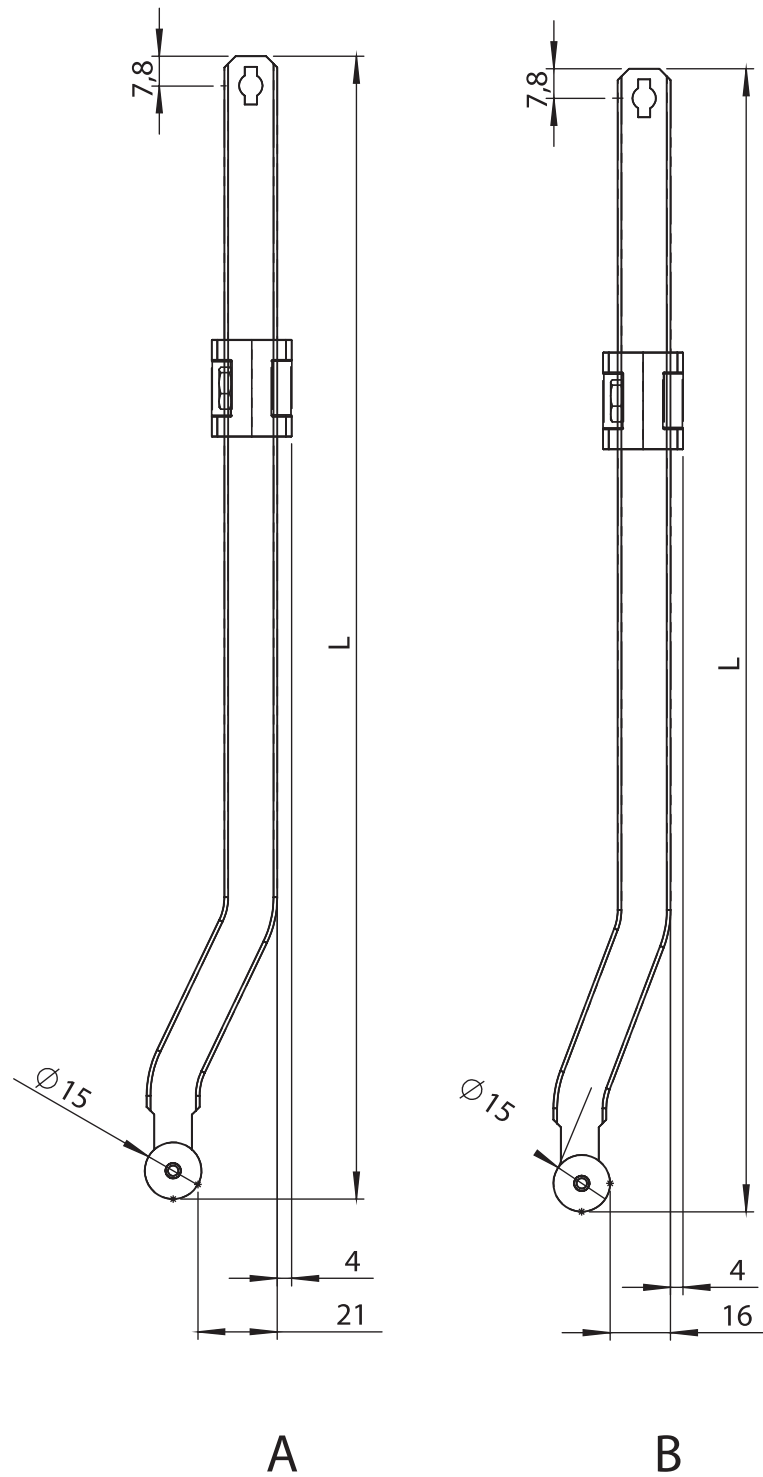
Table 6	Item Number	XXX	CH (mm)	L (mm)	GH=15 H(mm)	GH=18 H(mm)	GH=20 H(mm)	GH=30 H(mm)	GH=40 H(mm)	GH=50 H(mm)	GH=60 H(mm)
	1900 - 418	418	0	45	15	18	20	30	40	50	60
	1900 - 420	420	2	45	17	20	22	32	42	52	62
	1900 - 422	422	4	45	19	22	24	34	44	54	64
	1900 - 424	424	6	45	21	24	26	36	46	56	66
	1900 - 425	425	7	45	22	25	27	37	47	57	67
	1900 - 426	426	8	45	23	26	28	38	48	58	68
	1900 - 428	428	10	45	25	28	30	40	50	60	70
	1900 - 430	430	12	45	27	30	32	42	52	62	72
	1900 - 432	432	14	45	29	32	34	44	54	64	74

Table 7	Item Number	XXX	CH (mm)	L (mm)	GH=20 H(mm)
	1900 - 801	801	0	53,5	20
	1900 - 802	802	0	85	20
	1900 - 803	803	1	53,5	21
	1900 - 804	804	6	63	26
	1900 - 805	805	13,5	76	33,5
	1900 - 806	806	8	50	28



1900-605 - H=25 mm Metal Cam

	Item Number	1900-605



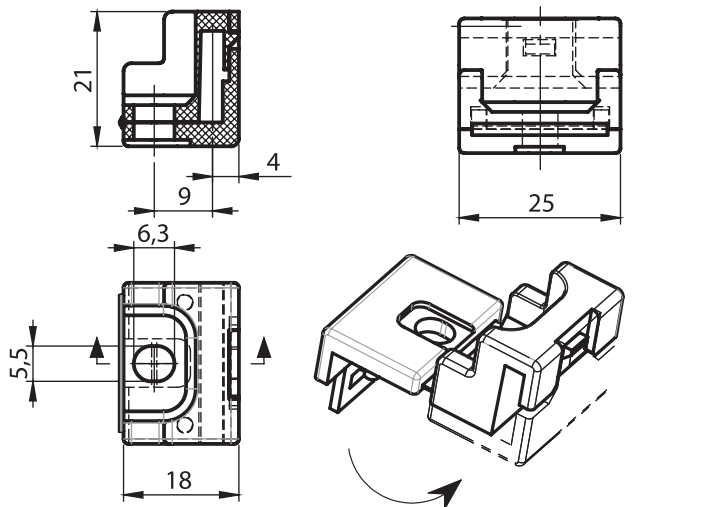
Material

Rods : Steel, zinc plated

Roller : Polyamide, black

8300 - Flat Rods with Roller

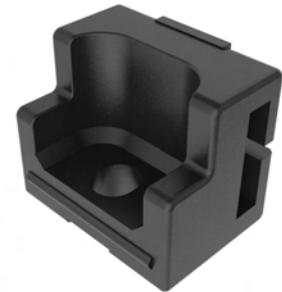
A	21 mm Bended Flat Rod with Roller	8302-L
B	16 mm Bended Flat Rod with Roller	8301-L



8502 - Flat Rod Guide

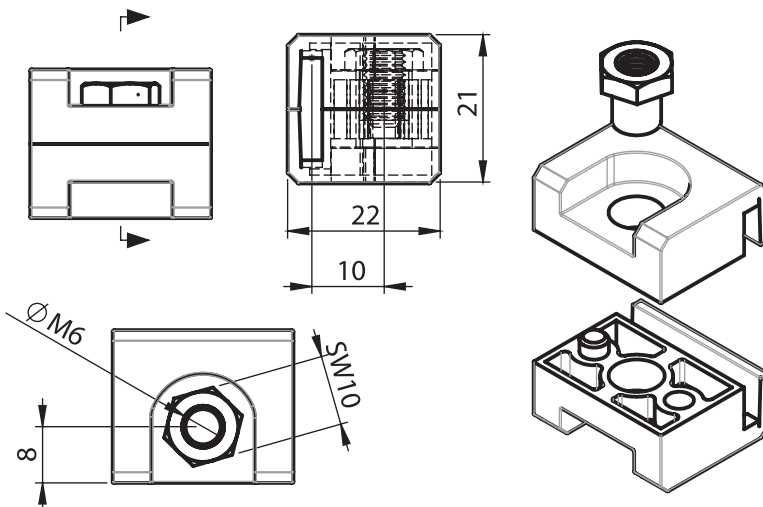
Item Number	8502-001
-------------	----------

8502 Flat Rod Guides - Folded



Material : Polyamide, black

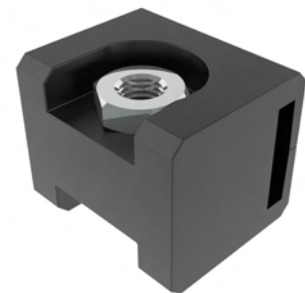
Flat Rod Guides



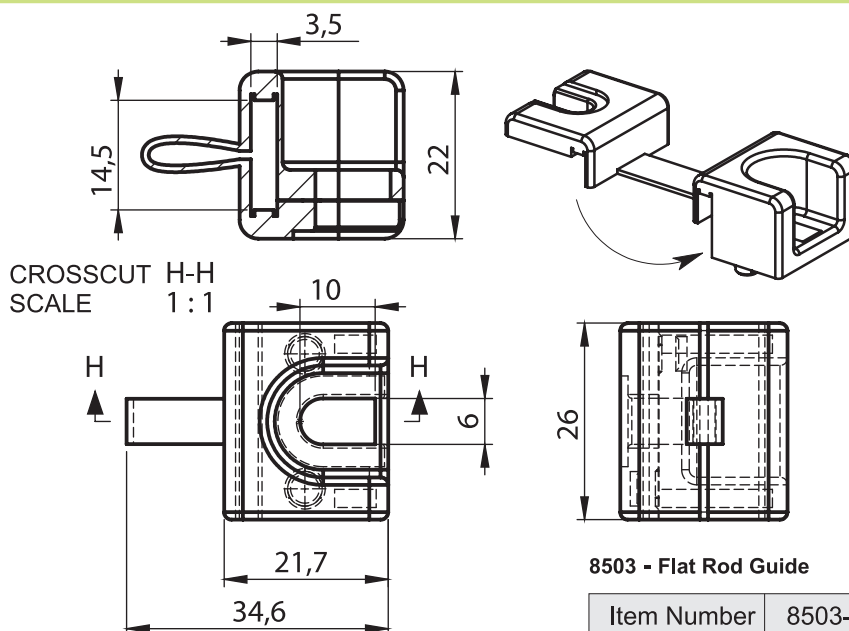
8501 - Flat Rod Guide

Item Number	8501-001
-------------	----------

8501 Flat Rod Guides



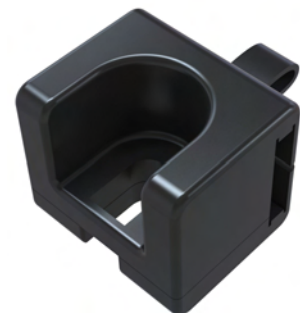
Material : PA, black



8503 - Flat Rod Guide

Item Number	8503-001
-------------	----------

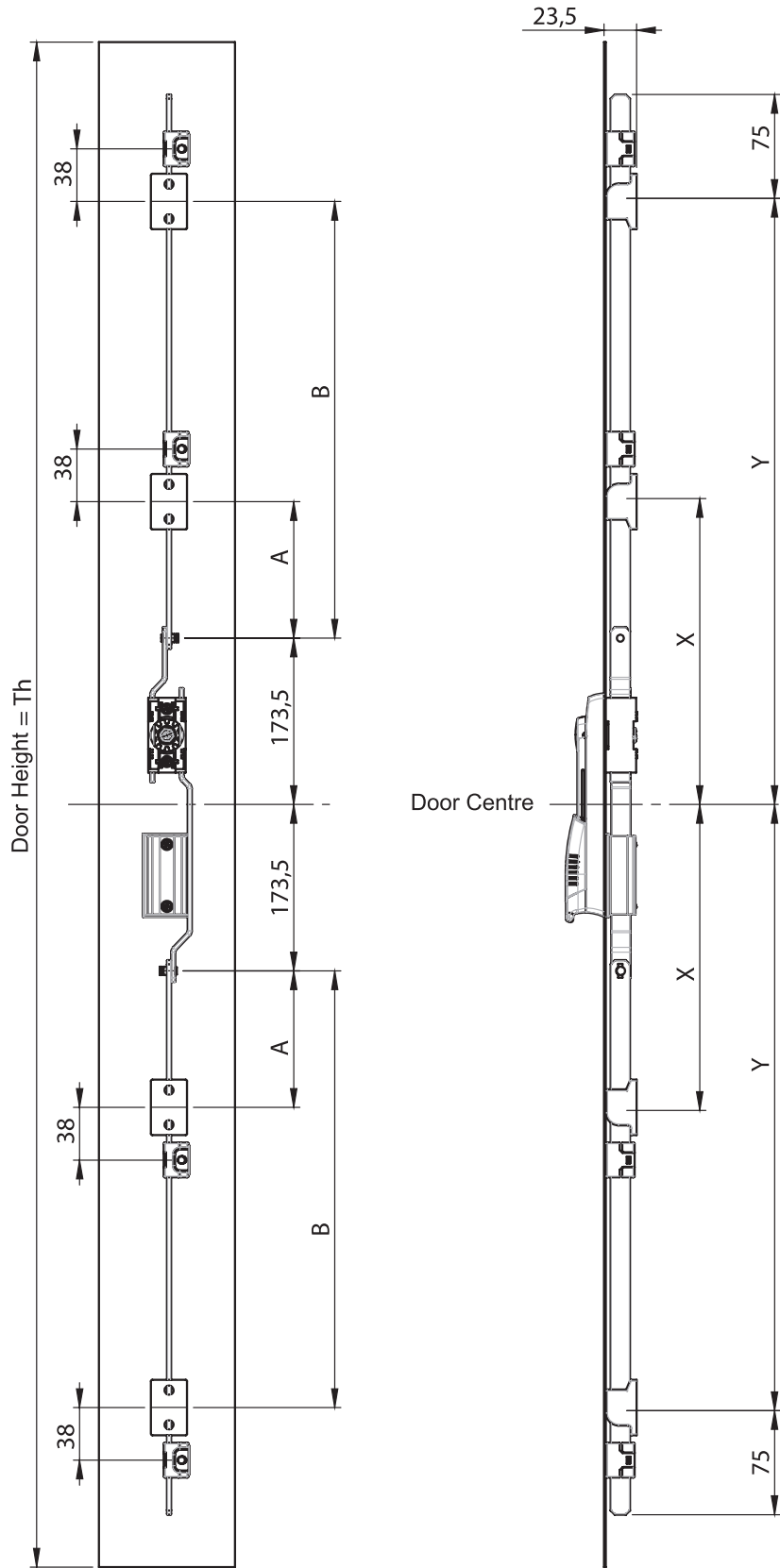
8503 Flat Rod Guide

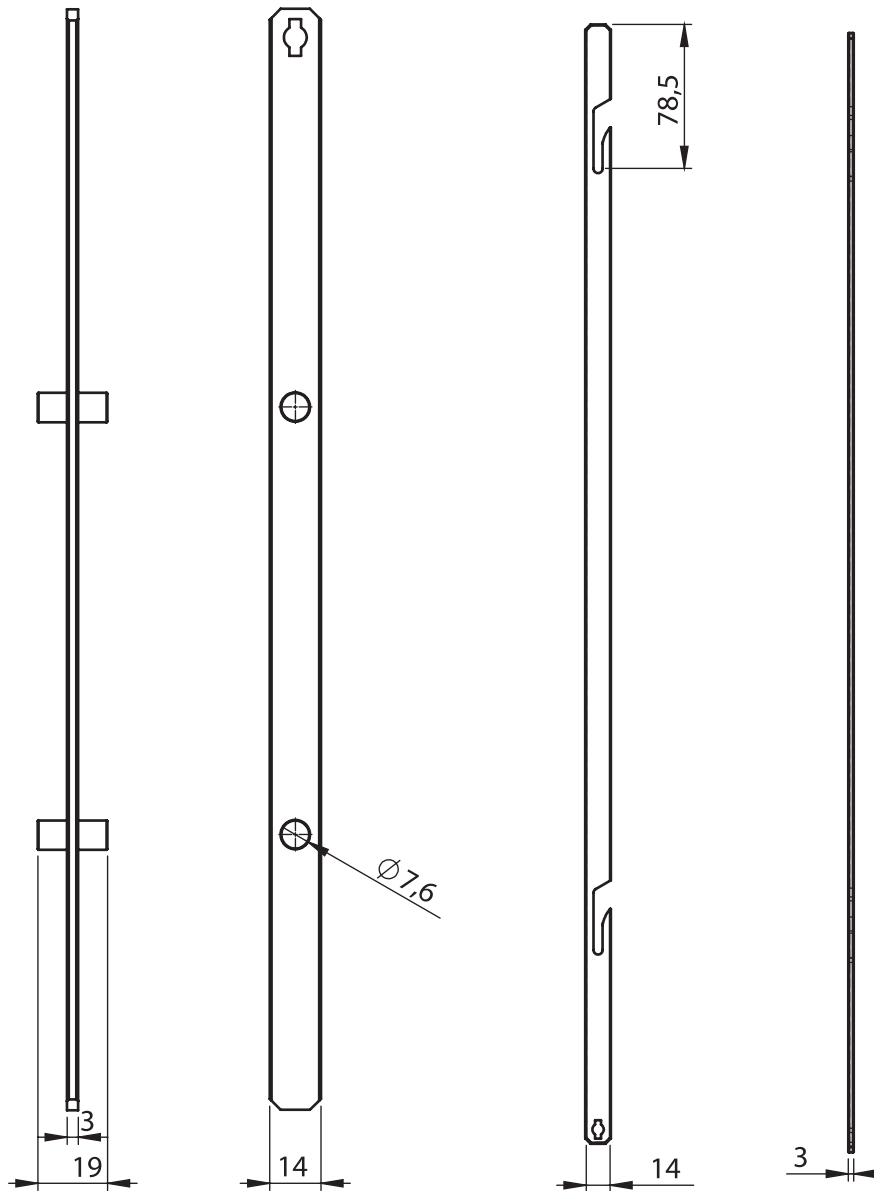


Material : PA, black

4 Point Locking Systems

4 Point Locking





8401

8402

4 Point Locking System Rods

8401 - 4 Point Locking System Rods

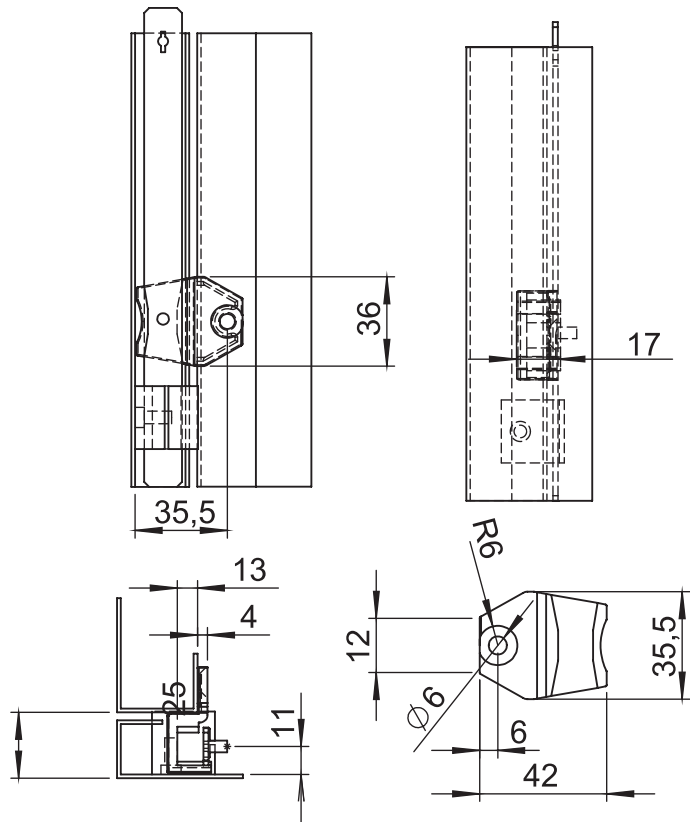
Door Height (Th)	Rods		Locking Points		Item Numbers
	A	B	X	Y	
800-1200	-	126,5	-	300	8401-300
1200-1600	-	276,5	-	450	8401-450
1600-1900	101,5	526,5	275	700	8401-700
1900-2200	101,5	676,5	275	850	8401-850

8402 - 4 Point Locking System Rods

Door Height (Th)	Rods		Locking Points		Item Numbers
	A	B	X	Y	
800-1200	-	126,5	-	300	8402-300
1200-1600	-	276,5	-	450	8402-450
1600-1900	101,5	526,5	275	700	8402-700
1900-2200	101,5	676,5	275	850	8402-850

8512, 8510
Roller Catcher

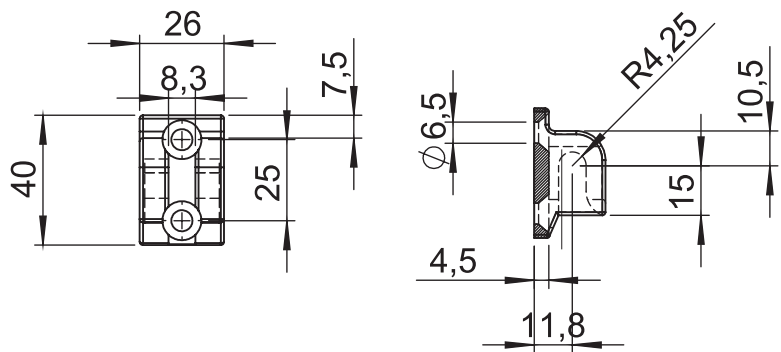
Roller Catchers



8512 - Roller Catchers

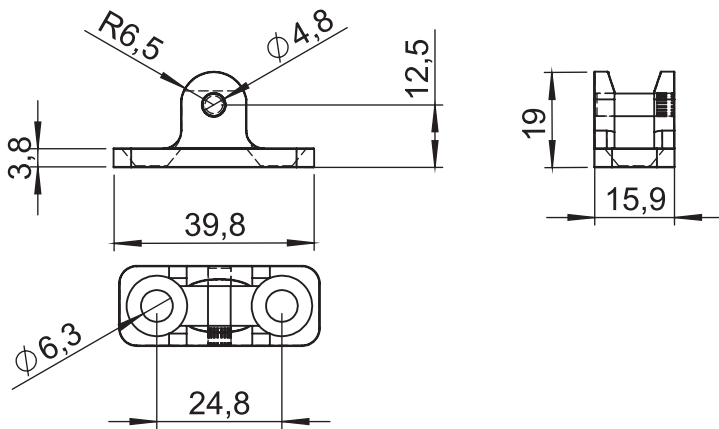
	Zinc-die, black coated	PA, Black
Item Number	8512-001	8512-002

8510
Roller Catcher

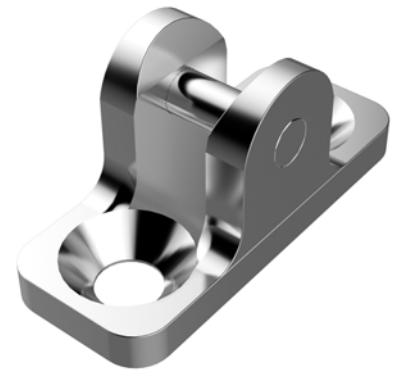


8510 - Roller Catchers

	Zinc-die, raw	PA, Black
Item Number	8510-001	8510-002



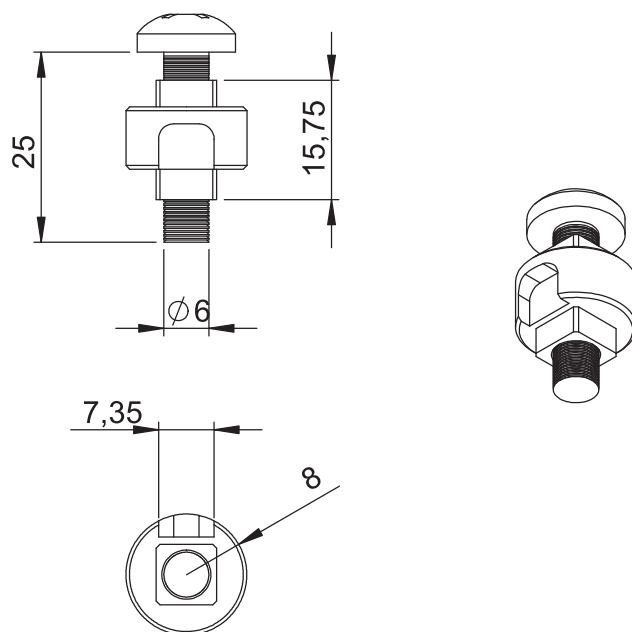
8513 Roller Catchers



Roller Catchers

8513 - Roller Catchers

	Zinc-die, raw
Item Number	8513-001



2900 Gear Box Adapter



2900 - Gear Box Adapter

	Zinc-die, black coated
Item Number	2900-300