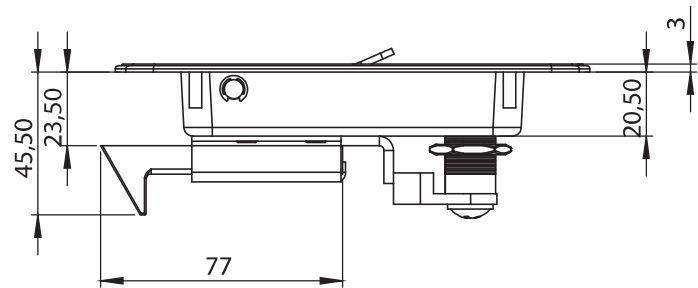
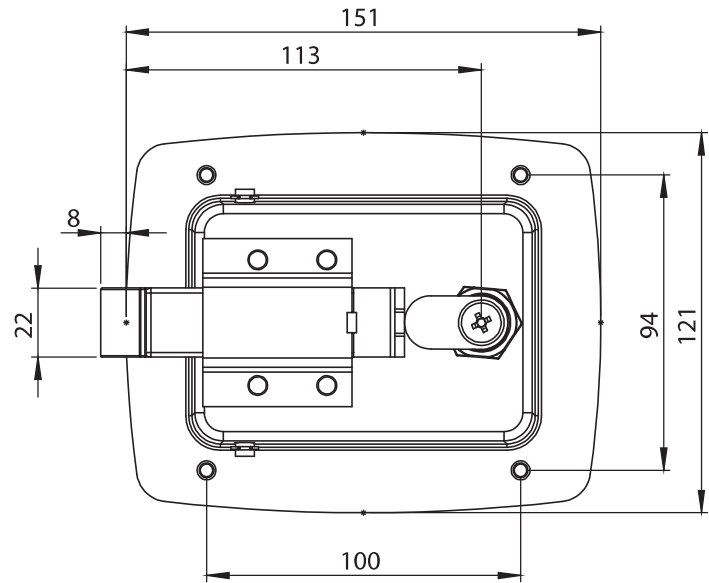
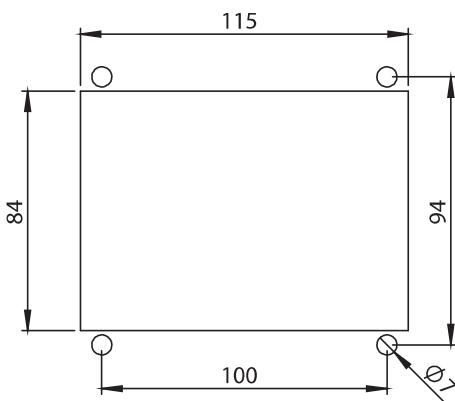




Material

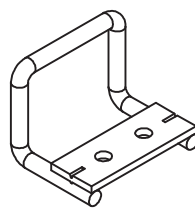
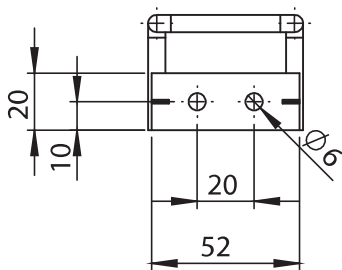
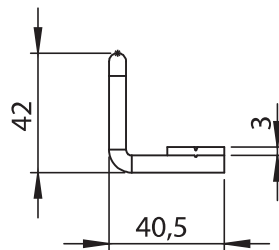
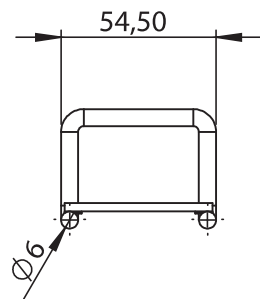
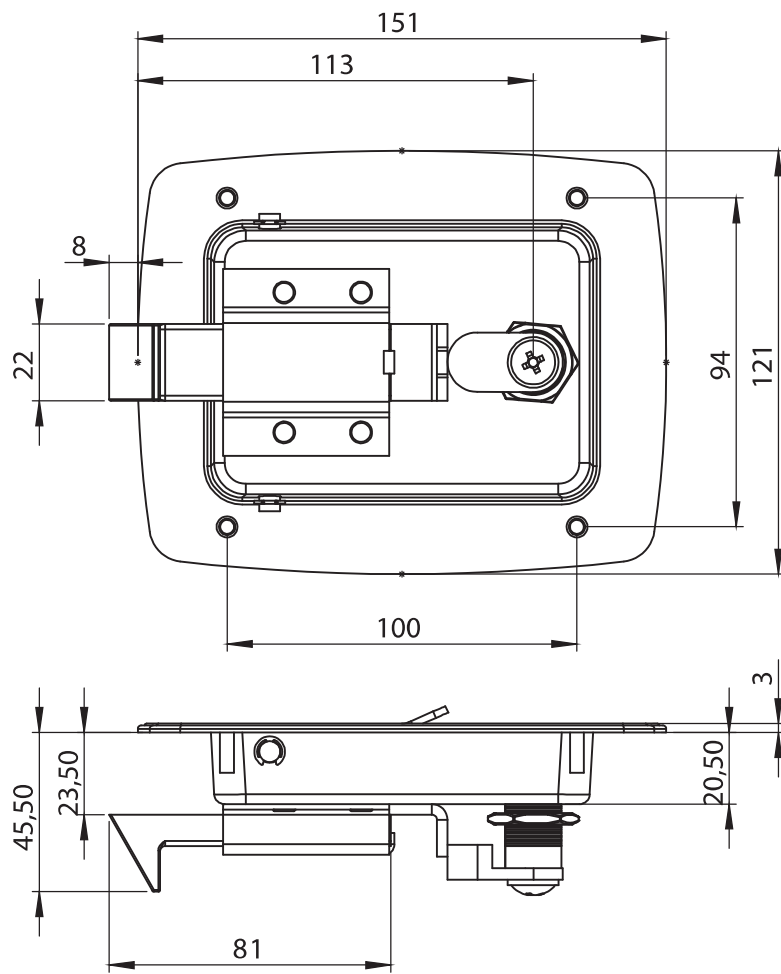
- Housing** : Steel, black coated
- Handle** : Steel, black coated
- Cam** : Zinc die
- Gasket** : Polyurethane
- Catch** : Steel, zinc plated

Cut out



7740 - Heavy Duty Lock

Key Type	77 mm Dilli	81 mm Dilli
Keyed 3333	7741 - 023	7742 - 023
Keyed Alike	7741 - 027	7742 - 027
Keyed Differ	7741 - 029	7742 - 029



..... Catch

Item Number	7740 - 330
-------------	------------



Miscellaneous Locks

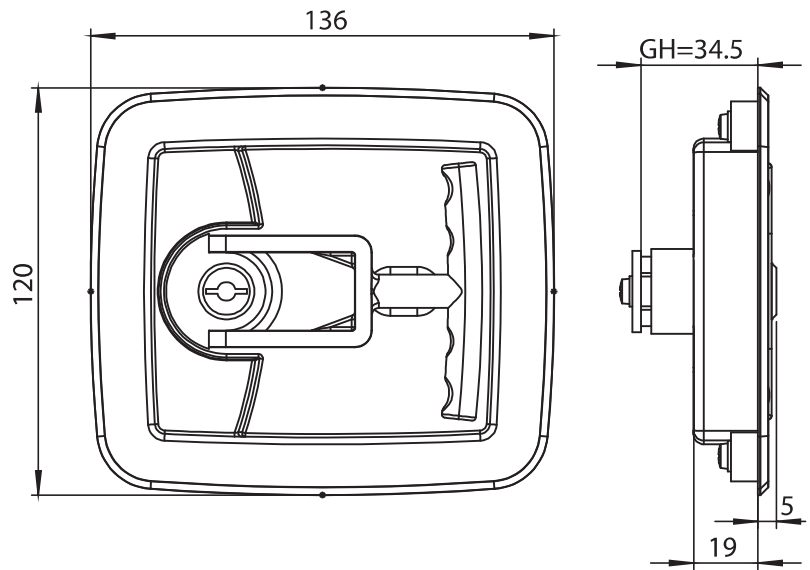


IP 54



LH/RH

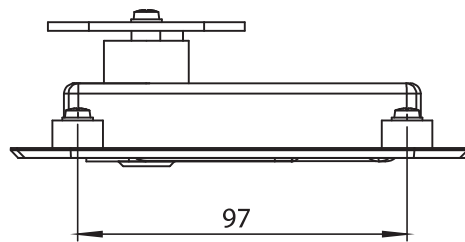
RoHS



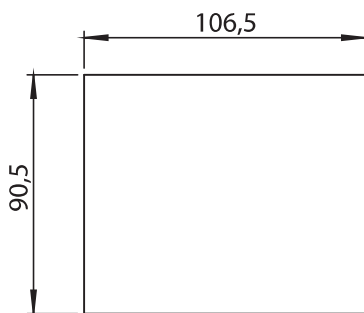
Material

Housing : Polyamide (PA6 GFR30)

Cam : Zinc die



Cut out



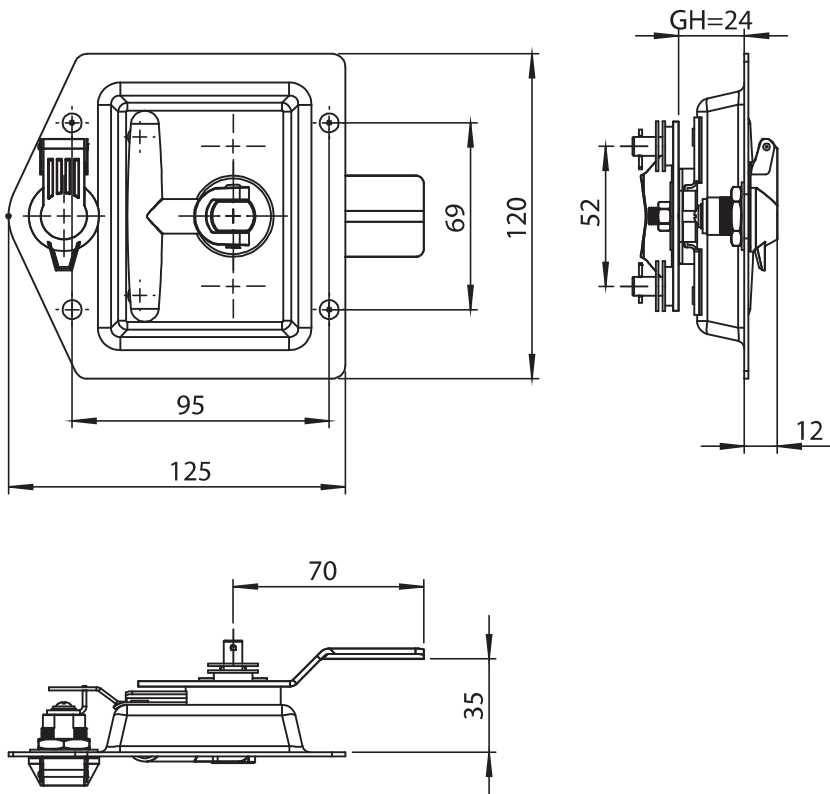
7750 - Heavy Duty Lock

Key Type	
Keyed Alike	7750 - 027

IP 54



LH/RH



Miscellaneous Locks

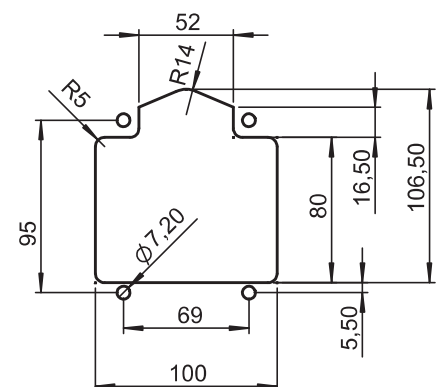
Material

Stainless Steel AISI 304

7755 - Heavy Duty Lock

Key Type	
Keyed Alike	7755 - 027

Cut out



IP 65



LH/RH



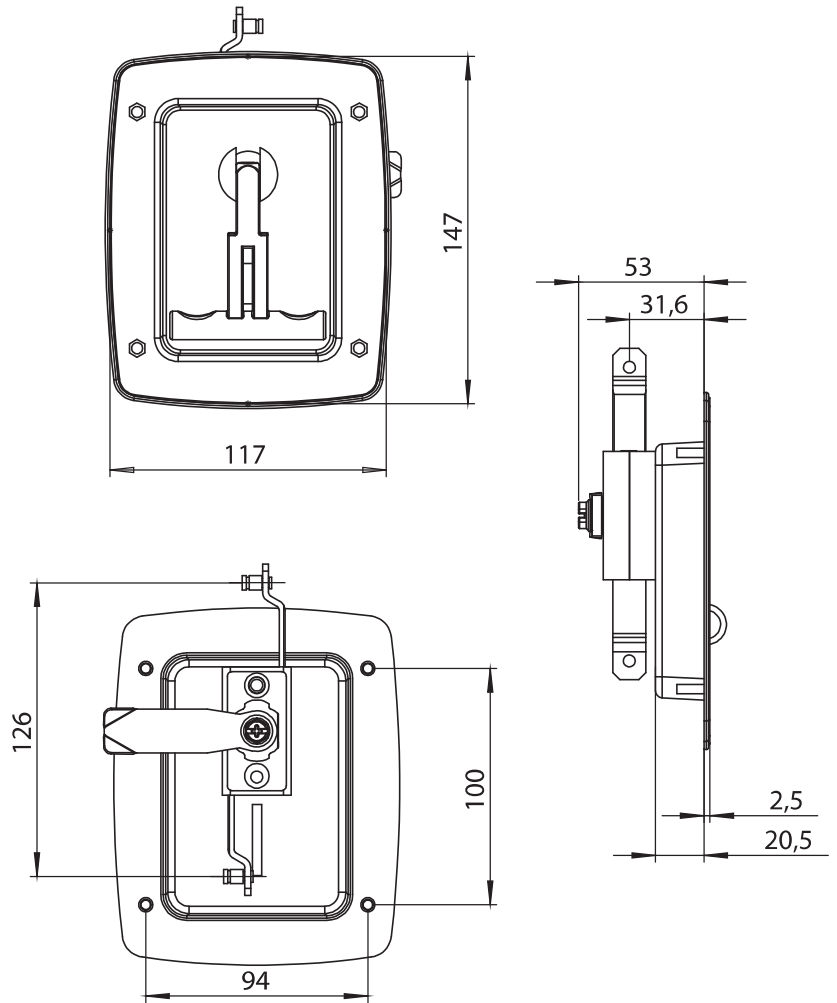
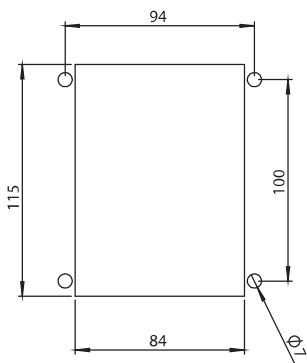
Material

- Housing** : Steel, black coated
- Handle** : Zinc die, chrome plated or black coated
- Cam** : Steel, zinc plated
- Gasket** : Polyurethane
- Padlock Part** : Stainless Steel, AISI 304

Options

Escutcheons : Pages 106 - 108

Cut out



7762 - Heavy Duty Lock - T Handle

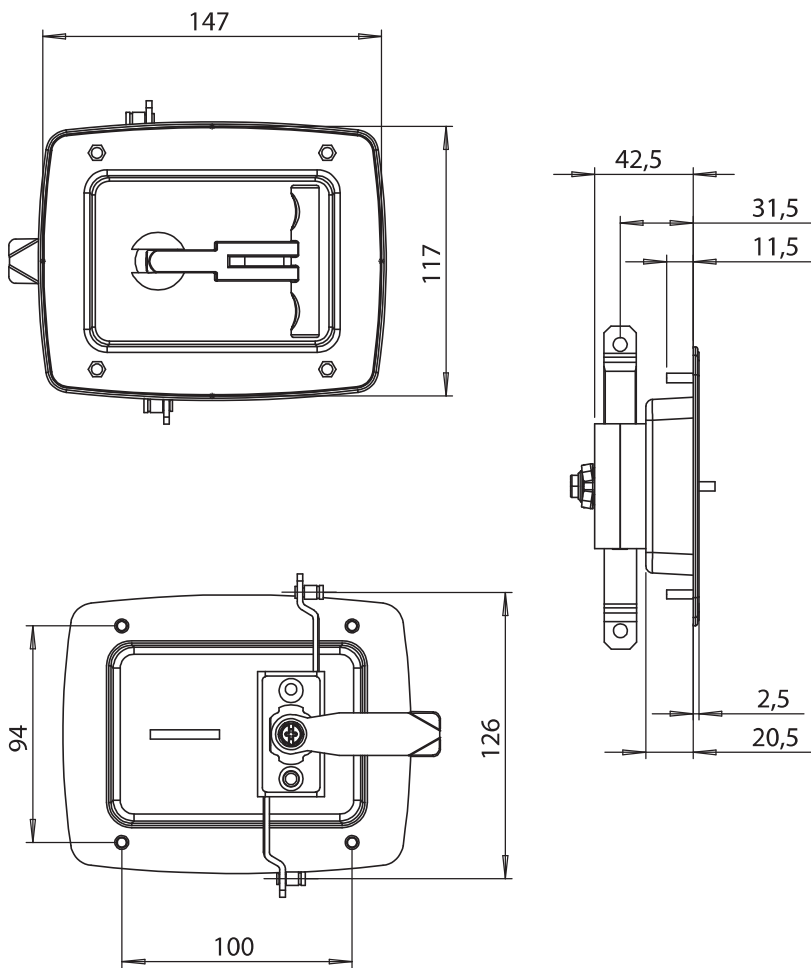
	Handle : Black coated	Handle : Chrome plated
Item Number	7762 - 100 - MK - XXX	7762 - 200 - MK - XXX

xxx Please see pages for Cams
MK Please see pages for Escutcheon (page 96-98)

IP 65

LH/RH

RoHS



Miscellaneous Locks

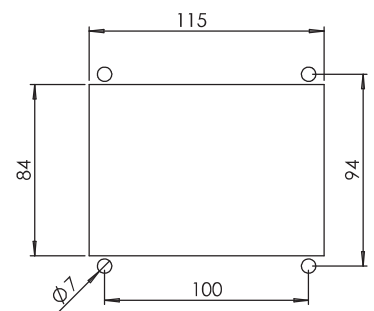
Material

- Housing** : Steel, black coated
- Handle** : Zinc die, chrome plated or black coated
- Cam** : Steel, zinc plated
- Gasket** : Polyurethane
- Padlock Part** : Stainless Steel, AISI 304

Options

Escutcheons : Pages 106 - 108

Cut out



7763 - Heavy Duty Lock - T Handle

	Handle : Black coated	Handle : Chrome plated
Item Number	7763 - 100 - MK - XXX	7763 - 200 - MK - XXX

xxx Please see pages for Cams
MK Please see pages for Escutcheon (page 96-98)

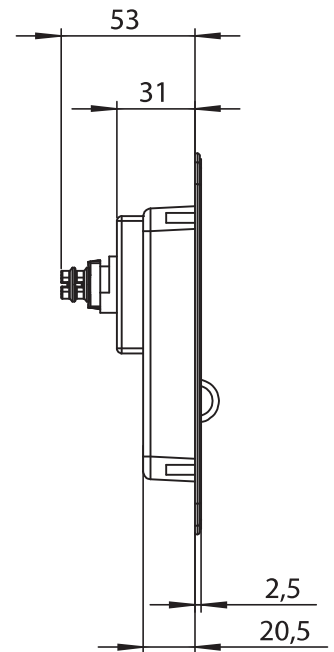
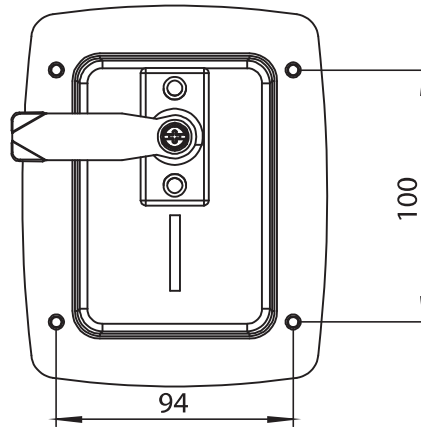
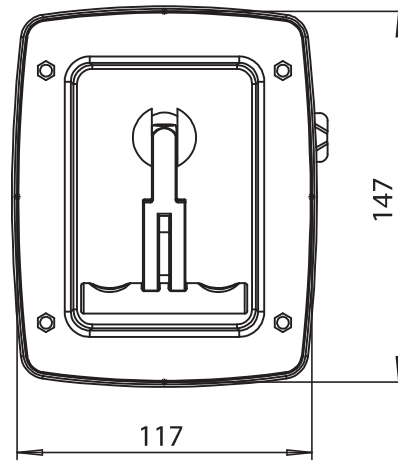
IP 65



LH/RH



RoHS



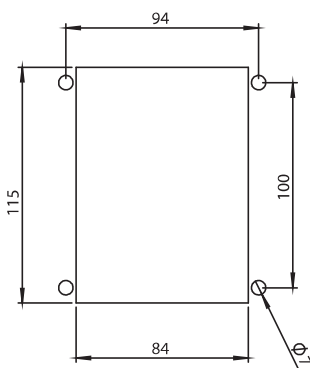
Material

- Housing** : Steel, black coated
- Handle** : Zinc die, chrome plated or black coated
- Cam** : Steel, zinc plated
- Gasket** : Polyurethane
- Padlock Part** : Stainless Steel, AISI 304

Options

Escutcheons : Pages 106 - 108

Cut out

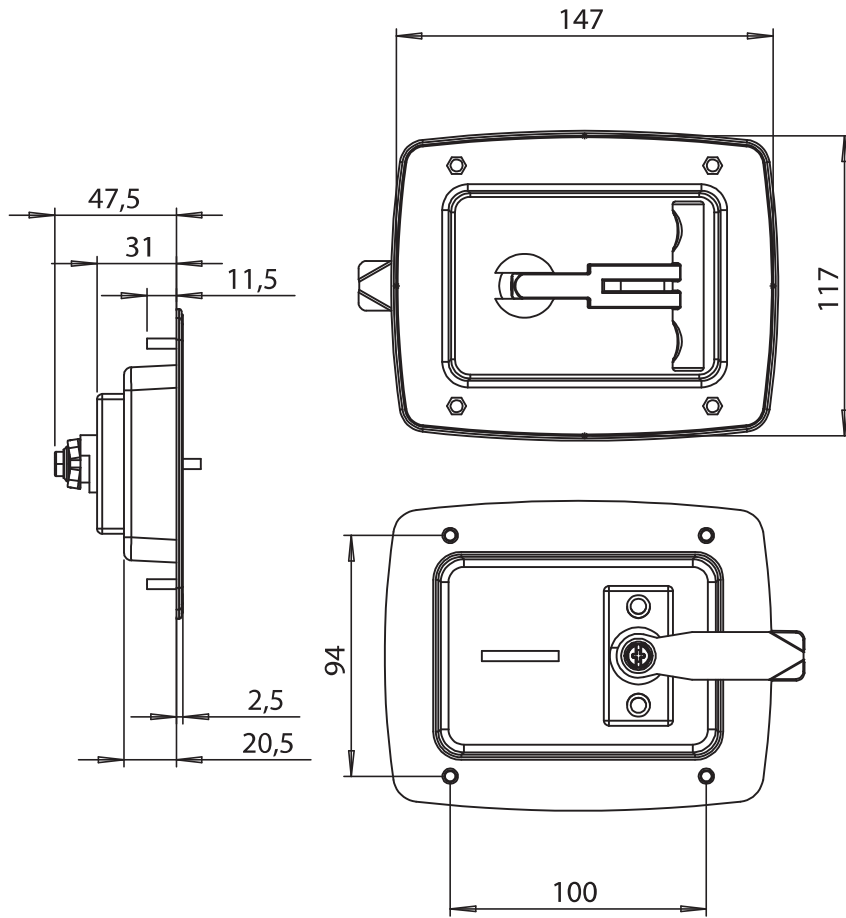


7772 - Heavy Duty Lock

	Handle : Black coated	Handle : Chrome plated
Item Number	7772 - 100 - MK - XXX	7772 - 200 - MK - XXX

xxx Please see pages for Cams
MK Please see pages for Escutcheon (page 96-98)

IP 65 LH/RH RoHS



Miscellaneous Locks

Material

- Housing** : Steel, black coated
- Handle** : Zinc die, chrome plated or black coated
- Cam** : Steel, zinc plated
- Gasket** : Polyurethane
- Padlock Part** : Stainless Steel, AISI 304

Options

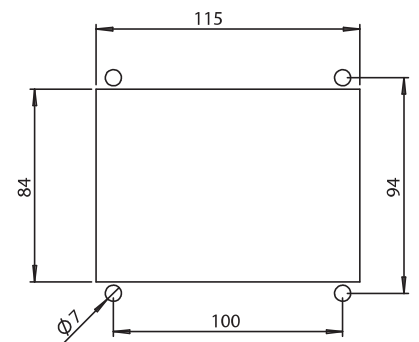
Escutcheons : Pages 106 - 108

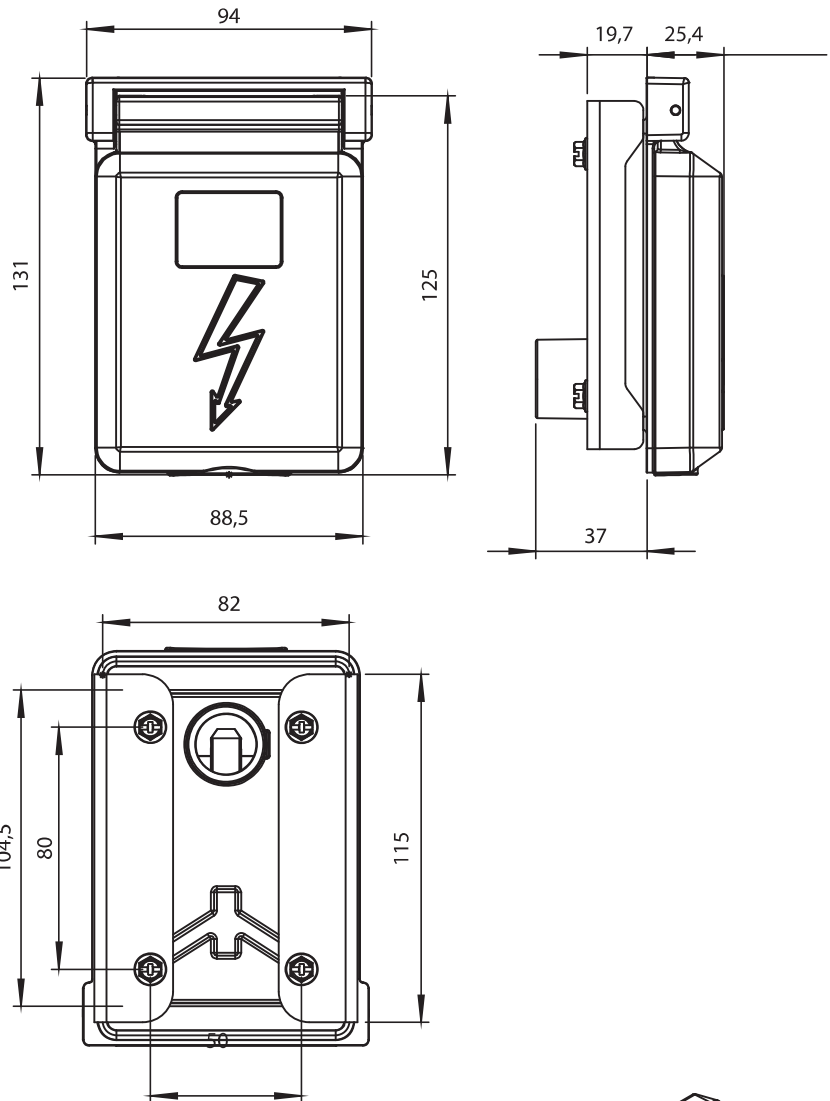
7773 - Heavy Duty Lock

	Handle : Black coated	Handle : Chrome plated
Item Number	7773 - 100 - MK - XXX	7773 - 200 - MK - XXX

xxx Please see pages for Cams
MK Please see pages for Escutcheon (page 96-98)

Cut out

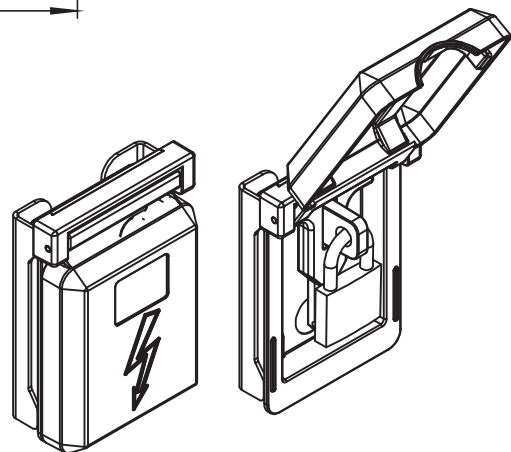
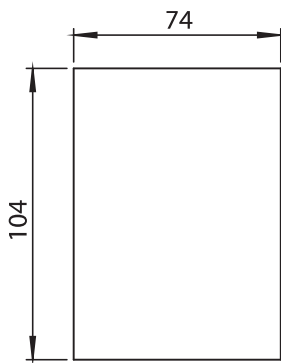




Material

- Housing** : Aluminium
- Cover** : Aluminium
- Handle** : Zinc die, chrome plated
- Pin** : Stainless steel
- Padlock Part** : Zinc die

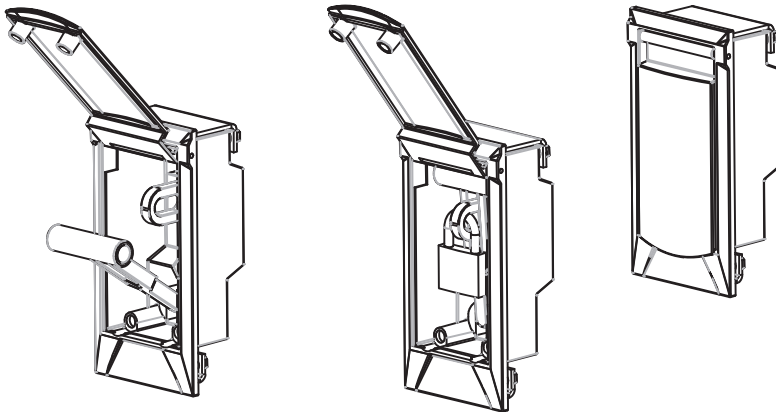
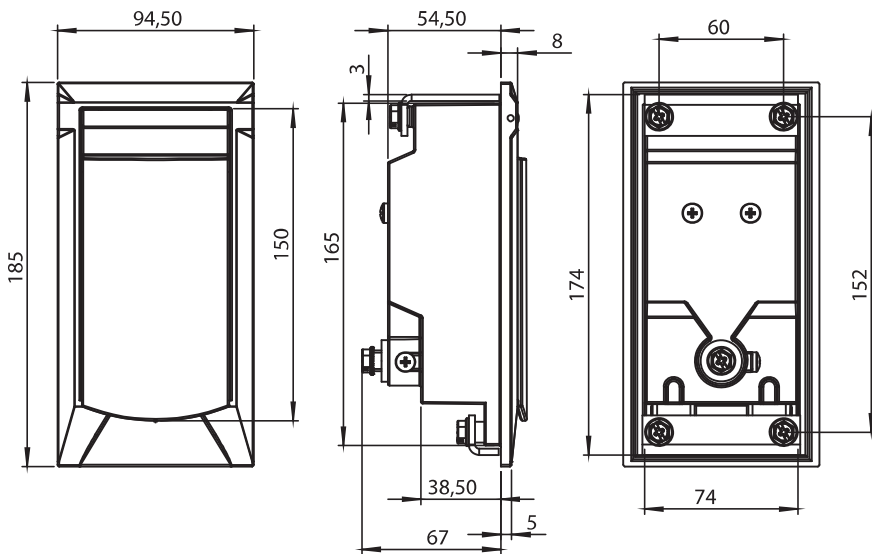
Cut out



7780 - Heavy Duty Lock - T Handle

	Black coated	Non painted
Item Number	7780 - 210	7780 - 100



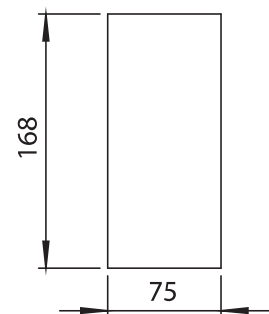


Miscellaneous Locks

Material

- Housing** : Aluminium
- Cover** : Aluminium
- Handle** : Zinc die, chrome plated
- Pin** : Stainless steel
- Padlock Part** : Zinc die

Cut out

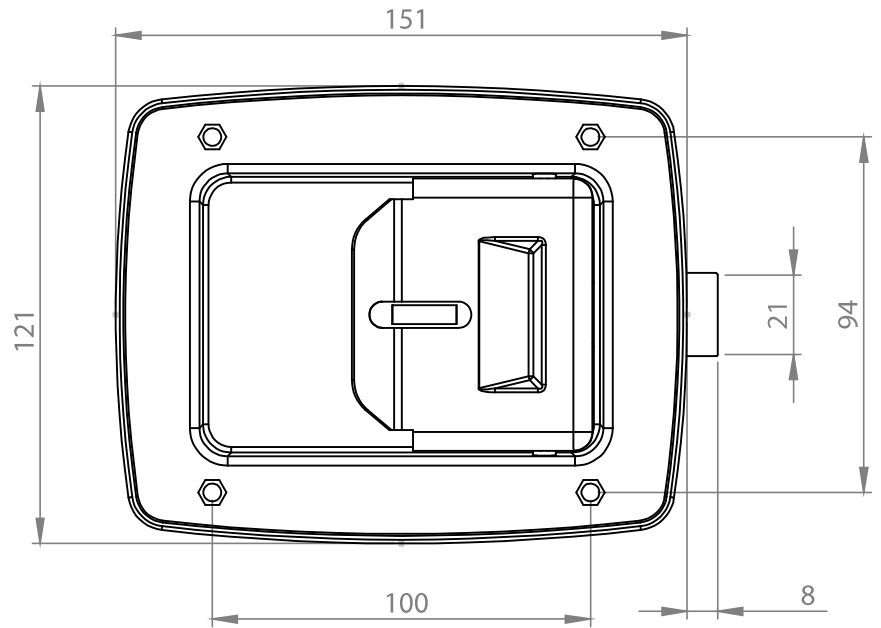


7790 - Heavy Duty Lock - T Handle

	Black coated	Non painted
Item Number	7790 - 210	7790 - 100

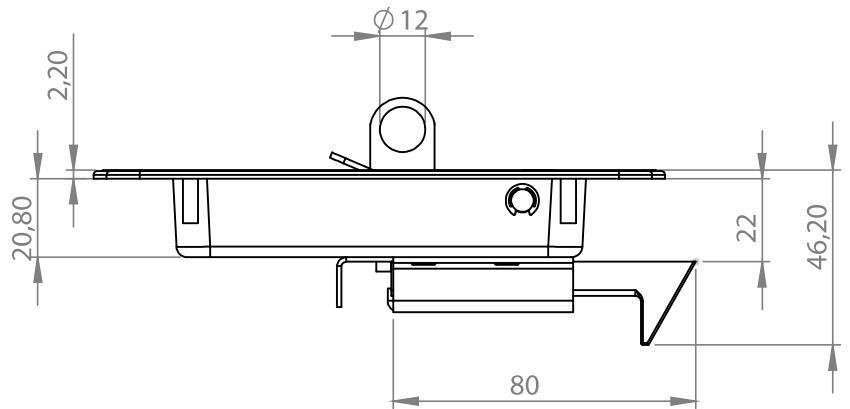
IP 65  LH/RH  

 RoHS

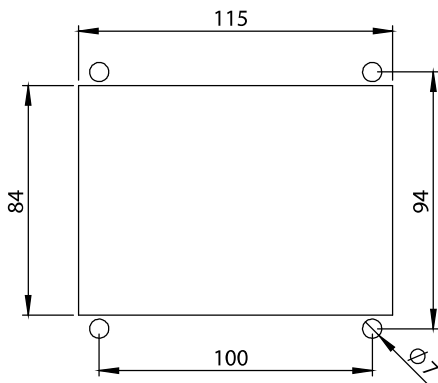


Material

- Housing** : Steel, black coated
- Handle** : Steel, black coated
- Cam** : Zinc Die, zinc plated
- Gasket** : PVC



Cut Out



7740 - Padlockable Heavy Duty Latch

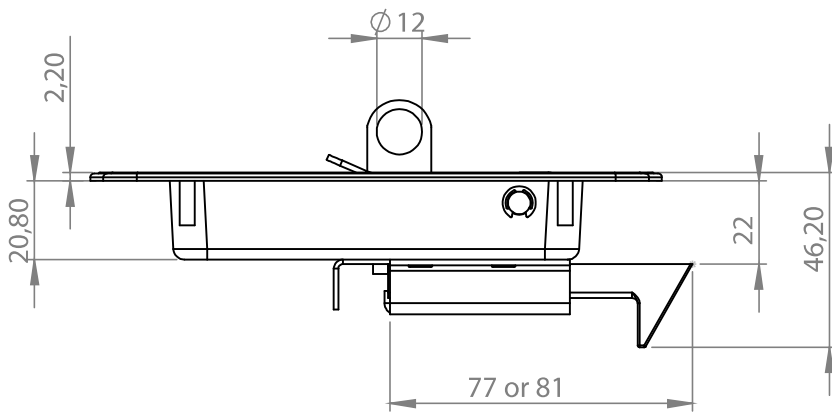
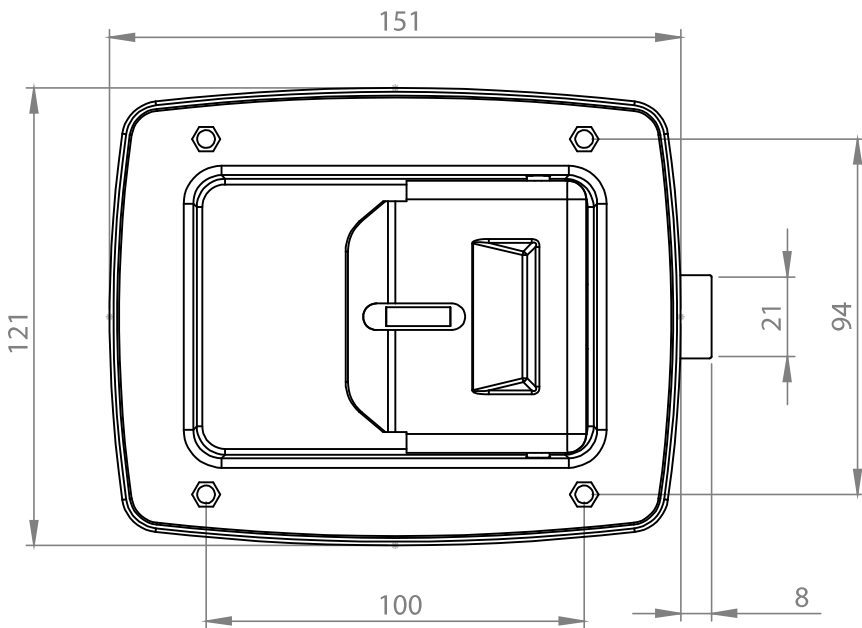
	77mm Cam	81mm Cam
Non Locking	7741-300	7742-300
Keyed 3333	7741-323	7742-323
Keyed Differ	7741-329	7742-329

You may chose XXX section from cam tables.

RoHS

LH/RH





7740 - Padlockable Heavy Duty Latch

Plain	77mm Cam	81mm Cam
Non Locking	7741-500	7742-500
Keyed 3333	7741-523	7742-523
Keyed Differ	7741-529	7742-529

Padlockable	77mm Cam	81mm Cam
Non Locking	7741-500	7742-500
Keyed 3333	7741-523	7742-523
Keyed Differ	7741-529	7742-529

You may chose XXX section from cam tables.

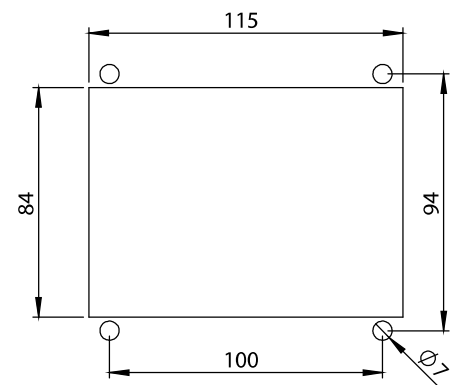


Latches and Miscellaneous Locks

Material

- Housing** : Stainless steel, AISI 304
- Handle** : Stainless steel, AISI 304
- Cam** : Zinc Die, zinc plated
- Gasket** : PVC

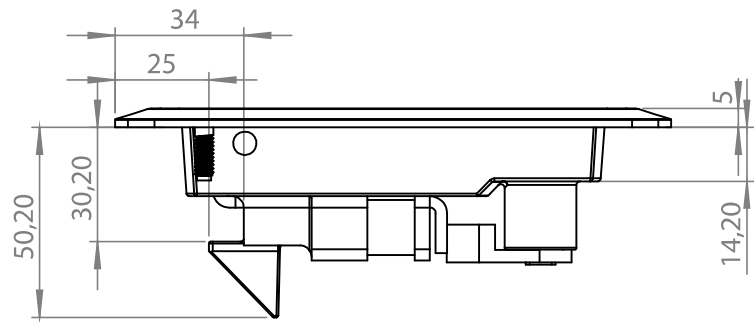
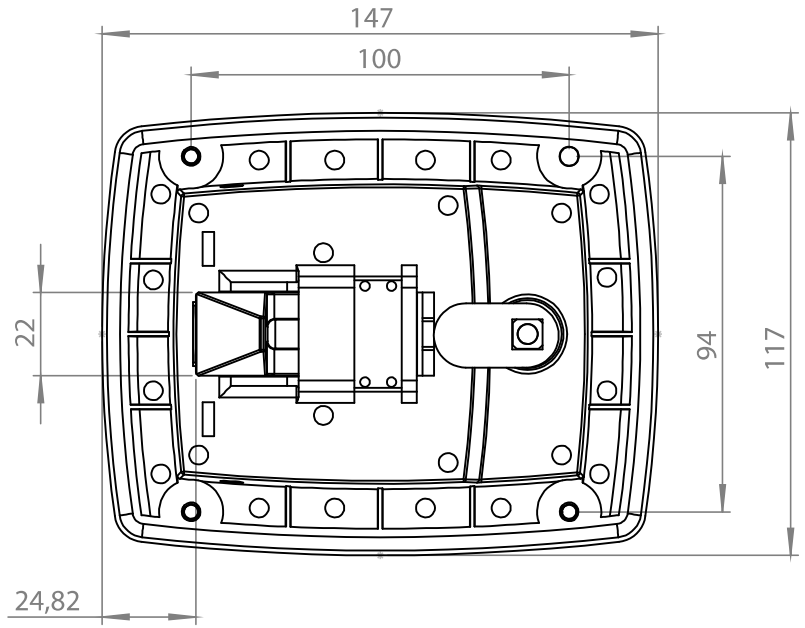
Cut Out



RoHS

LH/RH

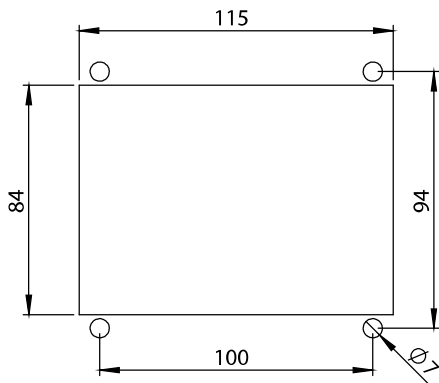




Material

- Housing** : Polyamide (PA6 GFR30), black
- Handle** : Polyamide (PA6 GFR30), black
- Cam** : Zinc Die, zinc plated
- Gasket** : Poliurethan

Cut Out



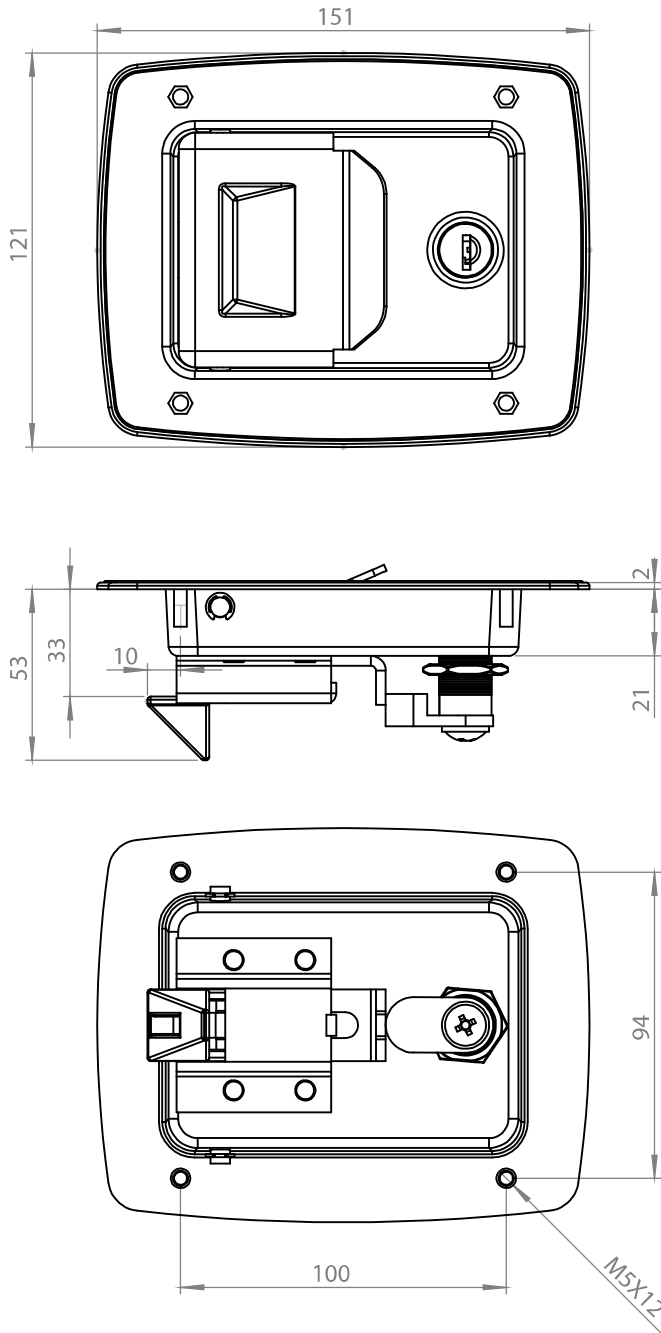
7751 - Heavy Duty Latch

Keyed 3333	7451-023
Keyed Alike	7451-027
Keyed Differ	7451-029

RoHS

LH/RH





7743 - Heavy Duty Latch

Non Locking	7743-000
Keyed 3333	7743-023
Keyed Differ	7743-029



Latches and Miscellaneous Locks

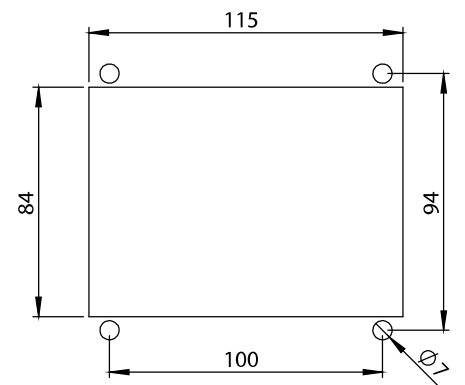
Material

Handle : Zinc die, black coated or chrome plated

Dish : Zinc die, black coated or chrome plated

Padlock Device : Stainless Steel AISI 304

Cut Out



RoHS

LH/RH

